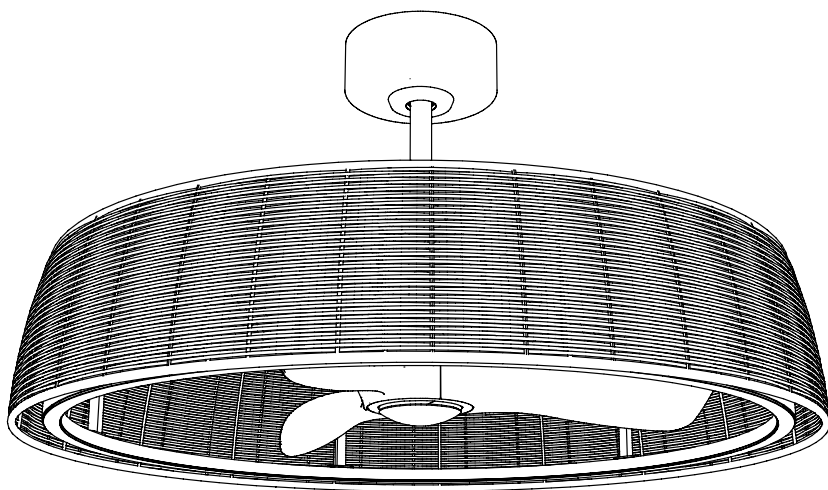




Item/Model Num: **61014**

Tulum 36" Wifi-enabled LED Fandelight™

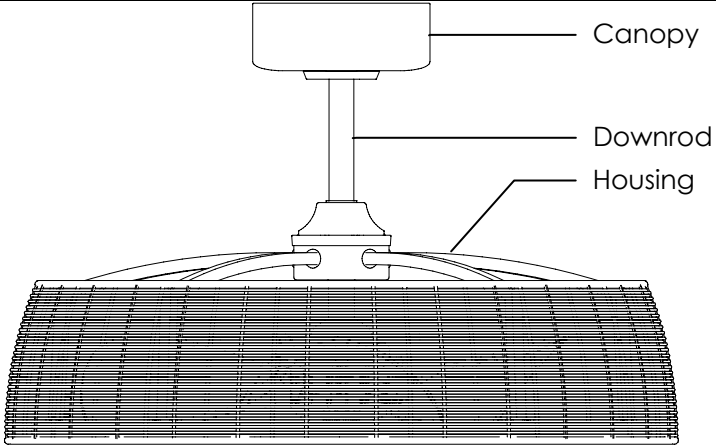


Please consult a qualified electrician prior to install
Veuillez consulter un électricien qualifié pour suspendre le luminaire et le câblage.
Installation and safety instructions Read and save these instructions
Instructions d'installation et de sécurité lisez et sauvegardez ces instructions
Made in China | Fabrique en Chine | Hecho en China

SAFETY PRECAUTION

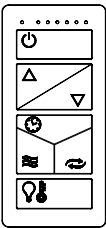
- **WARNING** –To make sure power is off before attempting installation.
- **WARNING** – Support Directly From Building Structure.
- **WARNING** –To reduce the risk of fire, electric shock, or injury to persons, unplug or disconnect the appliance from the power supply before the fan installation, cleaning, or servicing.
- **WARNING** –To Reduce The Risk Of Fire Or Electric Shock, Do Not Use This Fan With Any Solid-State Speed Control Device.
- **WARNING** –To Reduce The Risk Of Personal Injury, Do Not Bend The Blade Brackets When Installing The Brackets, Balancing The Blades, Or Cleaning The Fan. Do Not Insert Foreign Objects In Between Rotating Fan Blades.
- **⚠ WARNING** –Chemical Burn Hazard. Keep batteries away from children.
- This product contains a lithium button/coin cell battery. If a new or used lithium button/coin cell battery is swallowed or enters the body, it can cause severe internal burns and can lead to death in as little as 2 hours. Always completely secure the battery compartment. If the battery compartment does not close securely, stop using the product, remove the batteries, and keep it away from children. If you think batteries might have been swallowed or placed inside any part of the body, seek immediate medical attention.
- The batteries shall be disposed of properly, including keeping them away from children; Even used cells may cause injury.
- The installation is to be in accordance with the National Electrical Code, ANSI/NFPA 70-1999 and local codes. Consult a qualified electrician if in double.
- **WARNING** – To Reduce The Risk Of Electric Shock, This Fan Must Be Installed With A General-Use, Isolating Wall Control/Switch.
- All set screws must be checked, and retightened where necessary, before installation.
- After making the wire connections, the wires should be spread apart with the grounded conductor and the equipment-grounding conductor on one side of the outlet box and the ungrounded conductor on the other side of the outlet box.
- The splices after being made should be turned upward and pushed carefully up into the outlet box.
- Conductor of a fan identified as grounded conductor to be connected to a grounded conductor of power supply, conductor of fan identified as ungrounded conductor to be connected to an ungrounded conductor of power supply, conductor of fan identified for equipment grounding to be connected to an equipment-grounding conductor.
- **CAUTION**–To Reduce The Risk Of Electric Shock, Disconnect The Electrical Supply Circuit To The Fan Before Installing Light Kit.
- **WARNING** – To reduce the risk of fire, electric shock, or personal injury, mount directly to a structural framing member or to an outlet box marked (acceptable for fan support of 15.9 kg (35 lbs) or less). For outlet box mounting, use mounting screws provided with the outlet box.

PARTS & ACCESSORIES

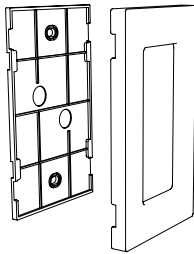


Wall Remote

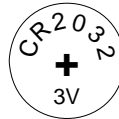
Remote



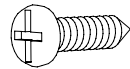
Mounting Plate



Battery (included)
CR2032

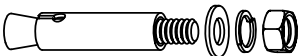


Mounting Screw



Mounting Screws

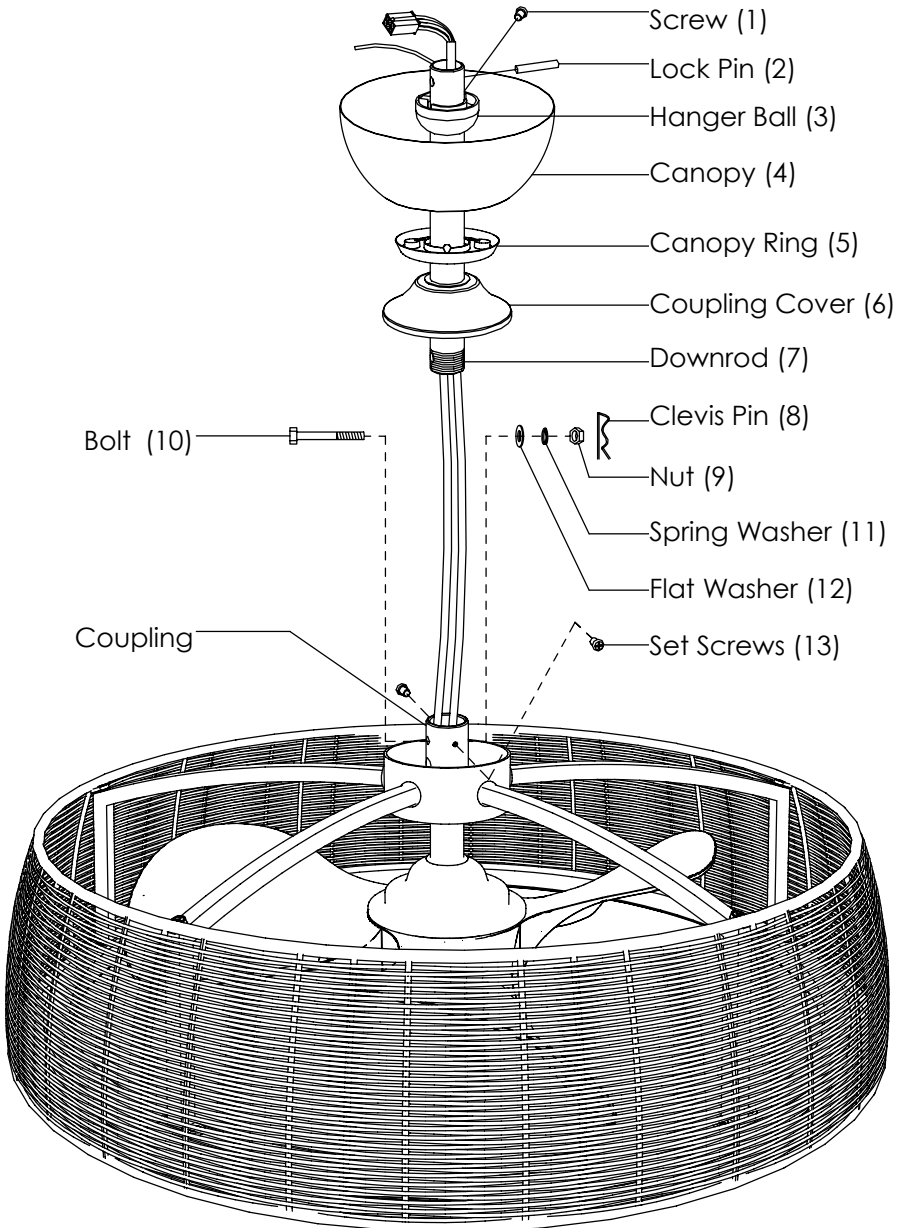
Expansion Bolt x 4



Self Tapping Screw & Washer x 4



FAN DIAGRAM



FAN ROD ASSEMBLY

SECURING THE FAN ROD

1) Remove the Clevis Pin (8), Nut (9), Spring Washers (11), Flat Washers (12) & Bolt (10) on Coupling (14).

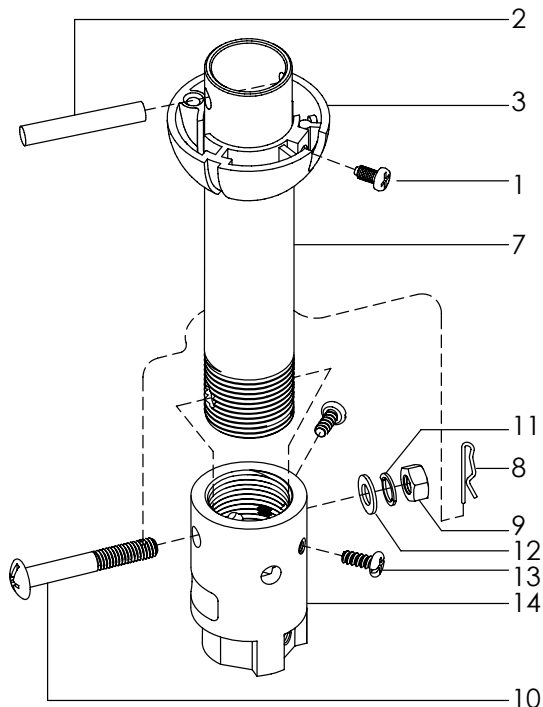
2) Loosen the Screw (1) from Hanger Ball (3), remove the Hanger Ball (3) and Lock Pin (2).

3) Route the wires and safety wire from the motor through the Downrod (7).

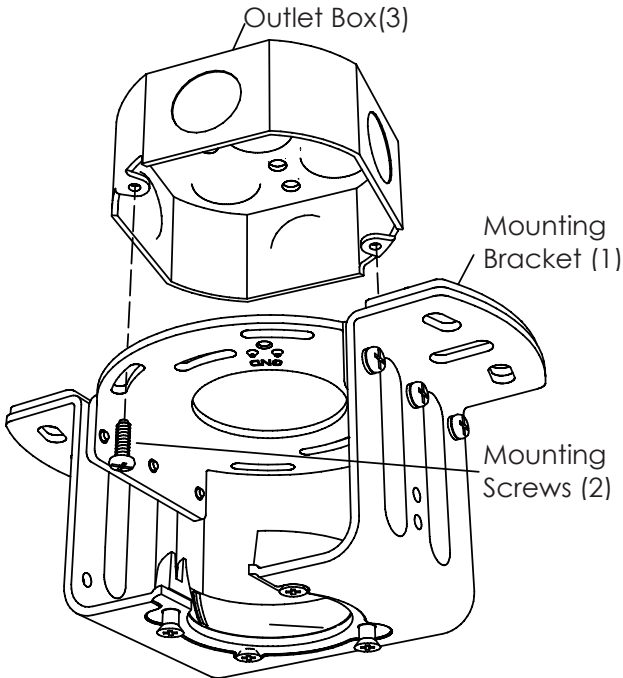
4) Install the Downrod (7) to Coupling (14) and secure with Bolt (10), Flat Washer (12), Spring Washer (11), Nut (9) & Clevis pin (8).

5) Tighten the 2 Set Screws (13) on the Coupling (14) to serve as a clamping force on the Downrod (7) to prevent fan shaking during operation.

6) Route the Coupling cover (6), Canopy Ring (5), Canopy (4) and Hanger Ball (3) through the Downrod (7) in turn, and then install the Lock pin (2) through the hole on the Downrod (7). Slip the hanger ball (3) upward to lock Pin (2), and fix it by Screw (1), then slip down the Coupling Cover (6) in correct position.



MOUNTING THE BRACKET



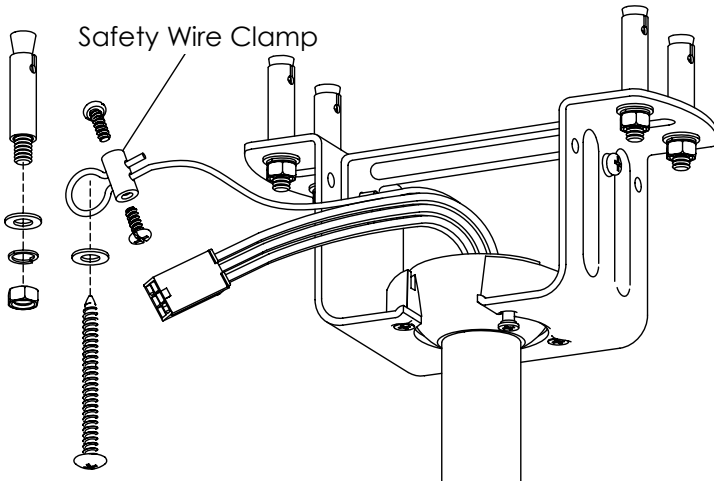
MOUNTING THE BRACKET

SWITCH OFF THE ELECTRICAL MAINS AT THE CIRCUIT BREAKER FUSE BOX.

1) Install the mounting bracket (1) onto Outlet Box (3) with the Mounting Screws (2).

WARNING - TO REDUCE THE RISK OF FIRE, ELECTRIC SHOCK, OR PERSONAL INJURY, MOUNT TO OUTLET BOX MARKED (ACCEPTABLE FOR FAN SUPPORT OF 15.9 KG (35LBS) OR LESS) AND USE MOUNTING SCREWS PROVIDED WITH THE OUTLET BOX AND/OR SUPPORT DIRECTLY FROM BUILDING STRUCTURE.

HANGING THE FAN



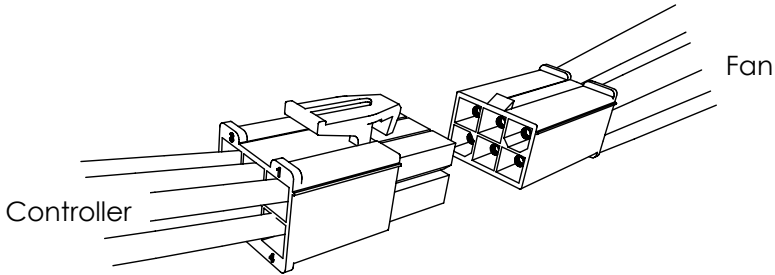
HANGING THE FAN

- 1) Raise the fan and place the hanger ball onto mounting bracket.
- 2) Rotate the fan until the notch on hanger ball snapped into the slot on mounting bracket and sits firmly.

NOTE : THE DOWNROD AND HANGER BALL SHOULD NOT ROTATE IF THIS STEP IS DONE CORRECTLY.

- 3) Tighten the safety wire clamp.
- 4) Place ring of safety wire through the expansion bolt or self tapping screw and fix it to the building structure.

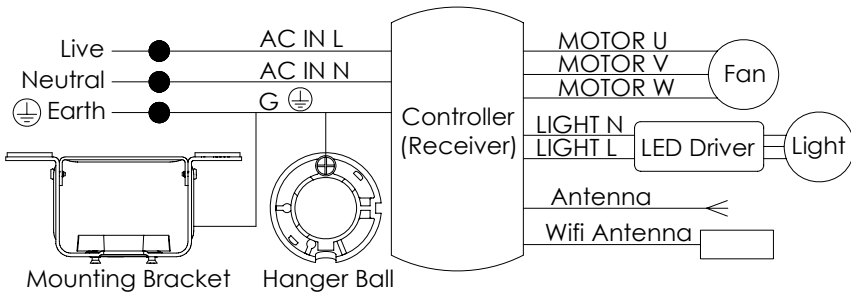
ELECTRICAL CONNECTIONS



MOLEX PLUG

SWITCH OFF THE ELECTRICAL MAINS AT THE CIRCUIT BREAKER FUSE BOX.

Connect the wire connector plugs correctly. The wire connector plugs design with fool proof device, please don't force to plug. Otherwise it may affect the normal use of the light fan or burn the fan motor.

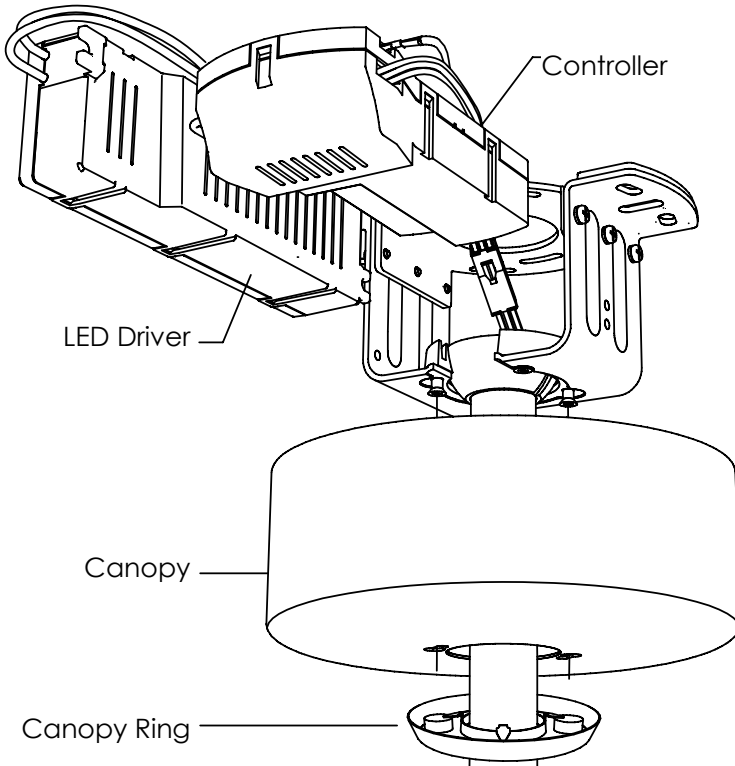


WIRING DIAGRAM

SWITCH OFF THE ELECTRICAL MAINS AT THE CIRCUIT BREAKER FUSE BOX.

Connect wires from controller to power supply with wire connectors.

CANOPY INSTALL



CANOPY INSTALL

- 1) Insert the controller and LED Driver into the space of the mounting bracket, and tidy up the wiring.
- 2) Carefully push the canopy to the bottom of the mounting bracket, make two sliding holes aligned to the two prominent screws on the mounting bracket, and then turn clockwise until tight.
- 3) Push the canopy ring to the bottom of the canopy, canopy ring will be magnetically attached to the canopy.

SMART CONTROL ADD DEVICE MANUAL

1. Ensure the light fan that needs intelligent control can be used normally, and disconnect the power supply.
2. Make sure the Wi-Fi connected to the light fan is available and has normal Internet access.
3. Search Smart Life or Tuya Smart on mobile devices, download and install it.  
4. Turn on WLAN on your mobile device and connect to the same Wi-Fi that you plan to connect to the light fan.
5. Open the app, register and log in and make relevant settings according to the app requirements.
6. Click **Add Device** or top right corner + to add device operation.
7. Select **Add Manually** or **Auto Scan**. (*If the addition fails, power off the light fan for 1 minutes and repeat the add operation.)

Add Manually:

- 1). Choice **-Lighting-Ceiling Fan-Ceiling Fan(Wi-Fi)**
- 2). Select the Wi-Fi that will be connected to the light fan, enter password, and click **NEXT**.
- 3). Continuously turn on and off the light fan:
ON₁-OFF-ON₂-OFF-ON₃-OFF-ON₄. After about 4 seconds, the light fan will flash twice or "Beep" twice.
- 4). Choice **Confirm the light is blinking rapidly**, click **NEXT**.
- 5). The light fan beeps or flashes once to indicate that the connection is successful.

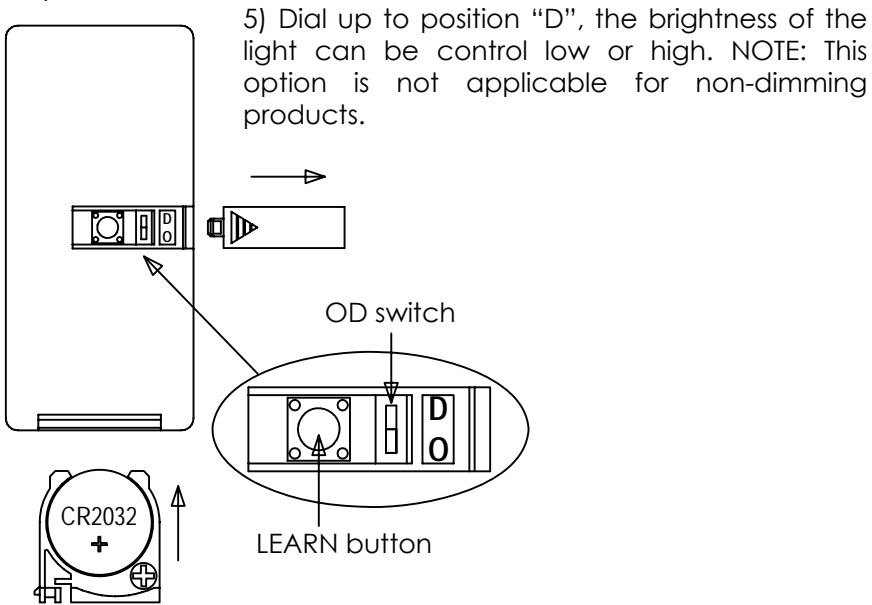
Auto Scan:

- 1). Click **Modify Wi-Fi config**, Select the Wi-Fi that will be connected to the light fan and enter the password, click **NEXT**.
 - 2). Continuously turn on and off the light fan:
ON₁-OFF-ON₂-OFF-ON₃-OFF-ON₄. After about 4 seconds, the light fan will flash twice or "Beep" twice.
 - 3). Wait for the light fan icon to appear in the interface. The light fan will beep or flash once. Click **NEXT** to add.
8. Through app, personalized pictures and naming can be added to the light fan, and the fan and lamp can be controlled intelligently. Please refer to the relevant instructions in app for specific operation methods.

REMOTE PROGRAMMING

REMOTE SETTING (MODEL: FCT6100WT)

- 1) Open the REMOTE battery cover and install DC3V battery. (Model: CR2032)
- 2) Turn on the power of the light fan.
- 3) Within 30 sec after the "Beep", press and hold the LEARN button for 3 sec. (Don't press any other buttons.) Once the receiver has detected and learned the frequency, the receiver will "Beep" twice mean while the light will bright out twice.
- 4) Programming/self-learning process is completed and REMOTE is ready to use.

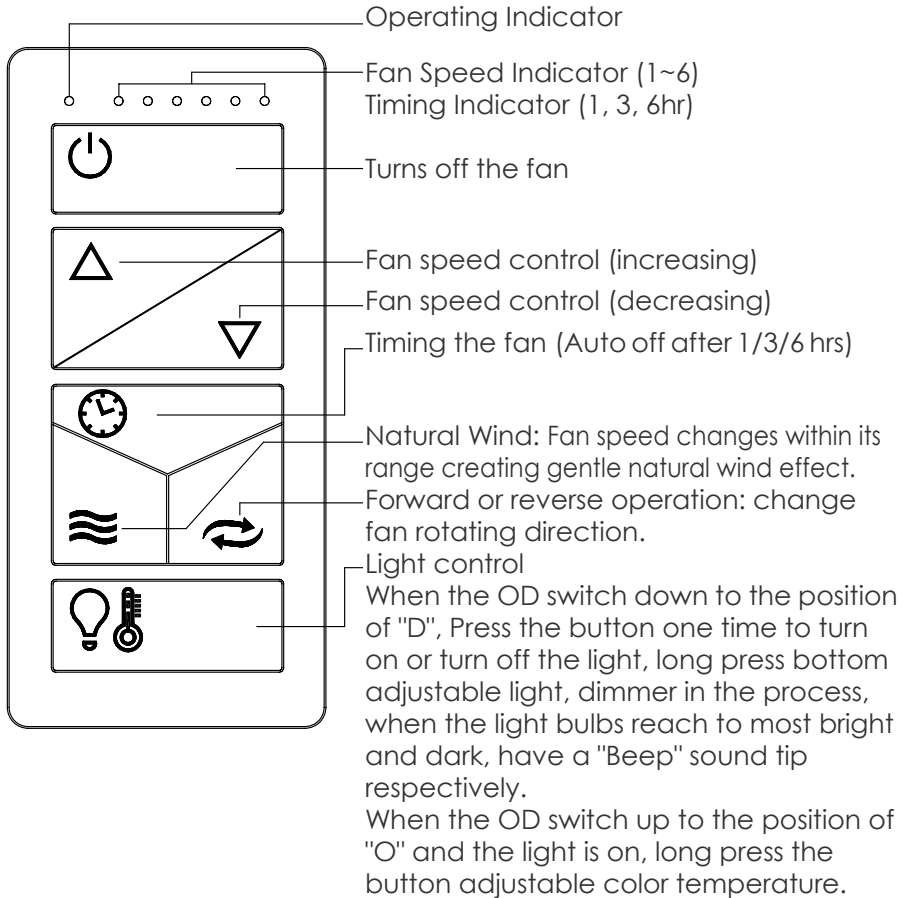


ATTENTION

- 1) After completing the steps above, you should be able to operate the fan and light. If the fan and light are not responding to the REMOTE, please turn the power off to the light fan and repeat step 2 and 3.
- 2) When not used for extended periods of time, remove battery to extend lifespan.

REMOTE FUNCTIONS

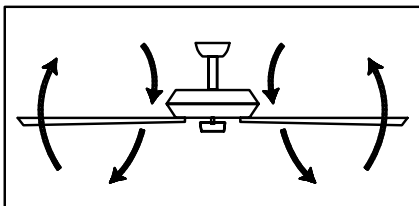
REMOTE FUNCTION (MODEL: FCT6100WT)



NOTE: Button "D": for dimming function; Button "O"; for CCT function; Please make sure the light is on before CCT.

Memory Function: if the power supply of the product is disconnected during use, and the power supply is switched on again, the fan will continue to operate according to the state before power off, and the light will be turned on by default.

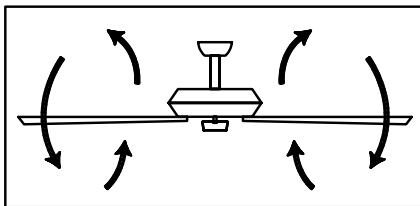
FORWARD/REVERSE FUNCTION



Forward

Fan rotates anti-clockwise creating a downward airflow delivering a cooling effect.

Used during hot weather for cooling air.

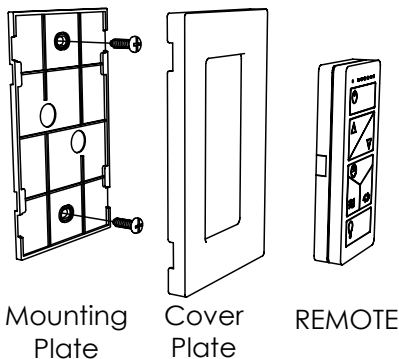


Reverse

Fan rotates clockwise creating an upward airflow of warm air moving from the ceiling. This function best at lower fan speeds.

Better during cold weather to circulate air.

WALL MOUNTING THE REMOTE



Mounting
Plate

Cover
Plate

REMOTE

FCT6100WT

WALL MOUNTING THE REMOTE

Install the mounting plate to the wall or any flat surface with the two mounting screws provided. Install the cover plate on the mounting plate. Put the REMOTE in the cover plate. (Magnet attraction fixation).

CLEANING & MAINTENANCE

Due to the fan's natural movement,
connections may get loose after a period of usage.

To ensure a proper and safety usage, inspect the suspension system and
tighten all connections every 6 months.



Caution there is a risk of shock!

Disconnect from power source before assembling or cleaning.

ATTENTION: Wires must to be connected to low voltage driver and should not
be connected directly to live wire or a short may occur.

Switch off, unplug and allow bulbs to cool before replacing bulb or cleaning.

Only **use the recommended** bulb type and do not exceed the maximum
wattage as it could cause fire.

Check that the product wire is free from tears of frayed electrical conduits.

For respective surfaces, use the appropriate cleansers, i.e.glass cleaner for
glass, acrylic & wood cleansers as suitable.

On **metallic** finishes, using talc powder can often reduce the appearance of
fingerprints and other smudges.

Clean with soft cloth and a mild detergent. Do not use abrasive or harsh
cleaners.

Periodically (every 180 days) make sure that the screws are fully
tightened.

Prolonged exposure to direct sunlight and/or heat can cause glazing,
fading, and the color to fade.

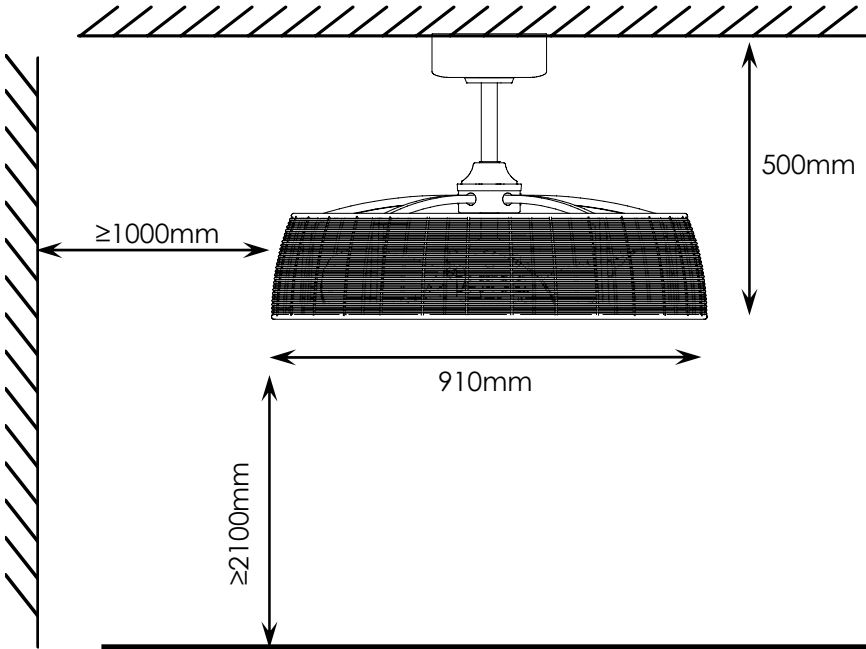
Ensure the fan is completely dry after cleaning.

Do not leave wet or damp condition, Fixture can be irreparably
damaged by water infiltration to electrical parts.

Oiling or adding grease is not necessary with this fan.

FAN SPECIFICATIONS

61014



Speed	Amp	Watt	RPM	Blade QTY	Volt Input	Lamping	Nett weight	Gross weight
1	0.05	2.0	90	3	110-120V 60Hz	1 x 35W LED	9.8 kg	15.6 kg
2	0.07	3.0	115					
3	0.10	5.8	140					
4	0.15	9.7	165					
5	0.23	15.0	185					
6	0.30	21.6	210					

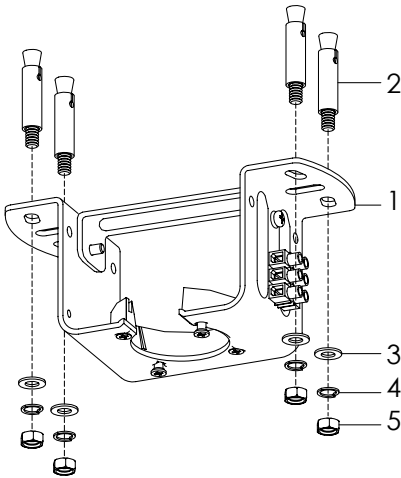
Specifications & measurements shown are subject to $\pm 5\%$ variations.

ADDENDUM

SPECIALTY STRUCTURE INSTALLATION

SPECIFIC MOUNTING PARTS KIT (NOT INCLUDED)
MOUNTING BRACKET INSTALLATION INSTRUCTIONS

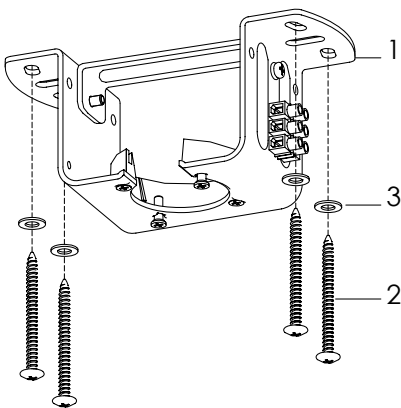
SWITCH OFF ELECTRICAL MAINS AT THE CIRCUIT BREAKER FUSE BOX.



CONCRETE CEILING

1) Use the Mounting Bracket (1) as a guide, mark the spots where the 4 Expansion Bolts (2) will be drilled.
2) Remove the Mounting Bracket (1), drill 4 holes and insert 4 Expansion Bolts (2) into the concrete ceiling, install the mounting bracket and secure with Flat Washers (3), Spring Washers (4) and Nuts (5).

IMPORTANT: SCREWS & NUTS MUST BE TIGHTENED TILL SNUG



WOODEN CEILING

1) Use the Mounting Bracket (1) as a guide, mark the spots where the 4 Self Tapping Screws (2) will be drilled.
2) Remove the Mounting Bracket (1), drill 4 holes for 3MM diameter, install the mounting bracket onto wooden ceiling with the 4 Self Tapping Screws (2) & Washers (3).

IMPORTANT: SCREWS MUST BE TIGHTENED TILL SNUG