



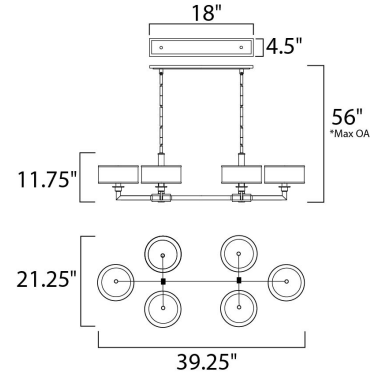
Lighting Your Life Since 1970

Product Specifications - 12057WTSN

Job Name:	Job Type:
Quantity:	Comments:



12057WTSN
Nexus 6-Light Chandelier



Finish
Satin Nickel

Glass/Shade
White

*max overall height
Product Category
Single-Tier Chandelier

Lamping

Number of Bulbs	6
Light Type	Incandescent
Bulb Type	CA
Max Bulb Wattage	60
Max Fixture Wattage	360
Rated Life	±1,500 Hours
Rated Lumens	±4,032
Color Temp	±2,700 K
Bulb(s)	Not Included
Light Up/Down	N/A
Beam Spread	N/A
CRI	N/A
Photo Cell Included	N/A
Ballast/Driver/Transformer	No
Dimmable	Standard Dimmer

Measurements

Width	21.25"
Height	11.75"
Length	39.25"
Extension	N/A
Back Plate Width	N/A
Back Plate Height	N/A
HCO	N/A
Min Overall Height	0.00"
Max Overall Height	56.00"
Hanging Weight	12.06 lbs
Height Adjustable	N/A
Slope	N/A
Chain Length	N/A
Wire Length	180"
Canopy Width	4.50"
Canopy Height	0.75"
Canopy Length	18.00"

Shipping

Carton Weight	17.24 lbs
Carton Width	19"
Carton Height	8"
Carton Length	37"
Carton Cubic Feet	2.93
Master Pack	1
Master Pack Weight	N/A
Master Pack Width	N/A
Master Pack Height	N/A
Master Pack Length	N/A
Master Cubic Feet	N/A
UPS Shippable	Yes

Certification

Safety Rating	Dry
Energy Star	No
CA Title 24	No
CA Title 20	No
ADA	No
Dark Sky	N/A

Other

UPC Code	783209075122
Shades Included	N/A
Crystals Included	N/A
Diffuser Included	N/A
Conversion Kit	N/A
Material	N/A

Equivalents

Incandescent Watts	N/A
Fluorescent Watts	N/A

Maxim Lighting International and all designs, logos and images © 2015 Maxim Lighting International. All Rights Reserved. Maxim Lighting International reserves the right, at any time, to make changes in the design and/or construction of the product including the discontinuation of product without prior notice. Color may vary from what is pictured above due to limitations inherent to photographic processes.

Always consult a qualified, licensed electrician before installation of any product weighing 35 pounds or more. We recommend that a qualified, licensed electrician do the installation. Always install to a mechanically sound structure.