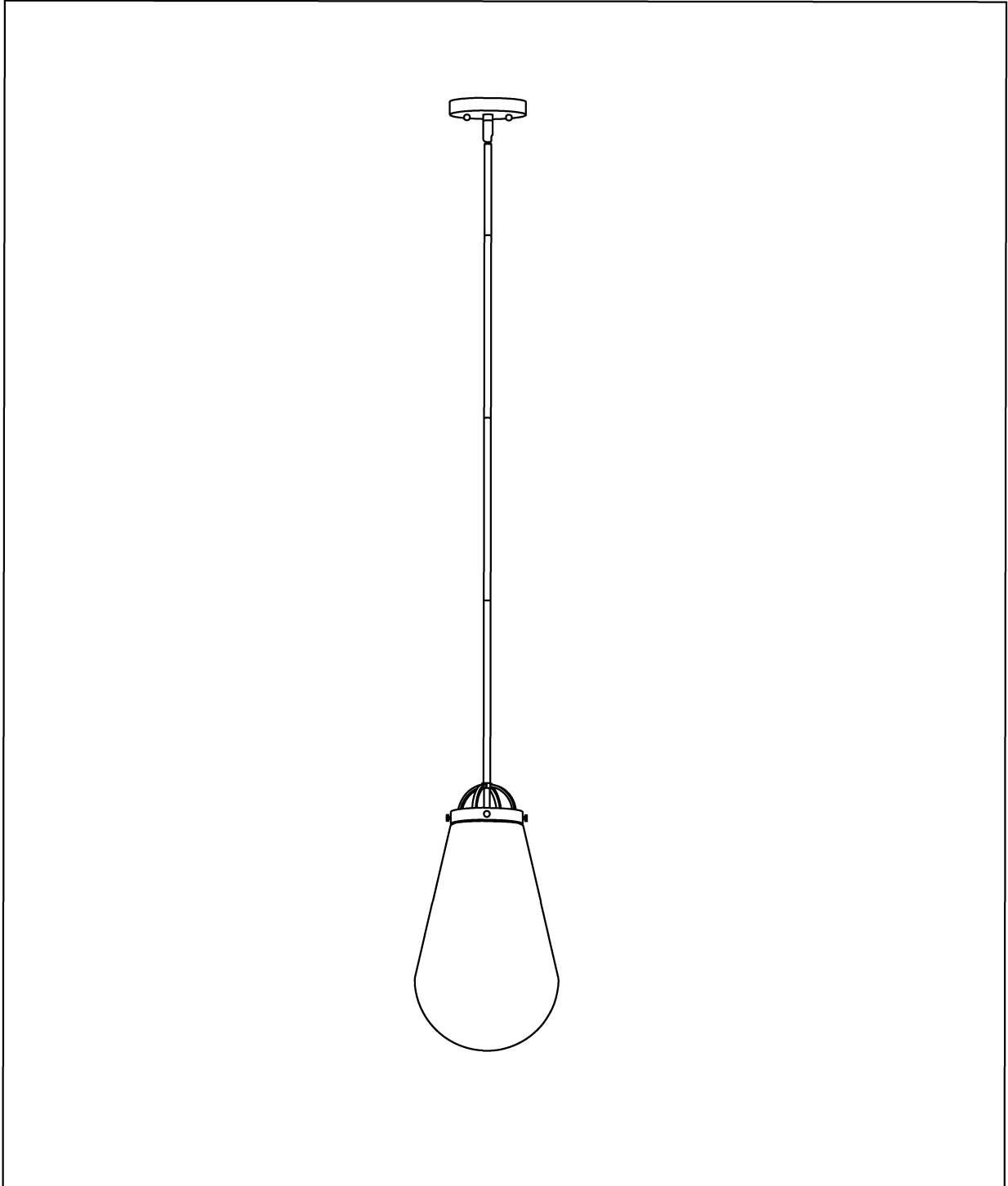




PRODUCT NAME: Nyla 1-Light pendant

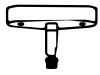
NUMBER: 10095

Please consult your electrician for hanging fixture and wiring.



Bulb ( Not included) : I\*MB 60W

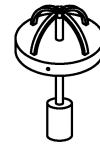
**IMPORTANT:** Turn off the power at the main fuse or circuit breaker box before starting installation



(A) Canopy

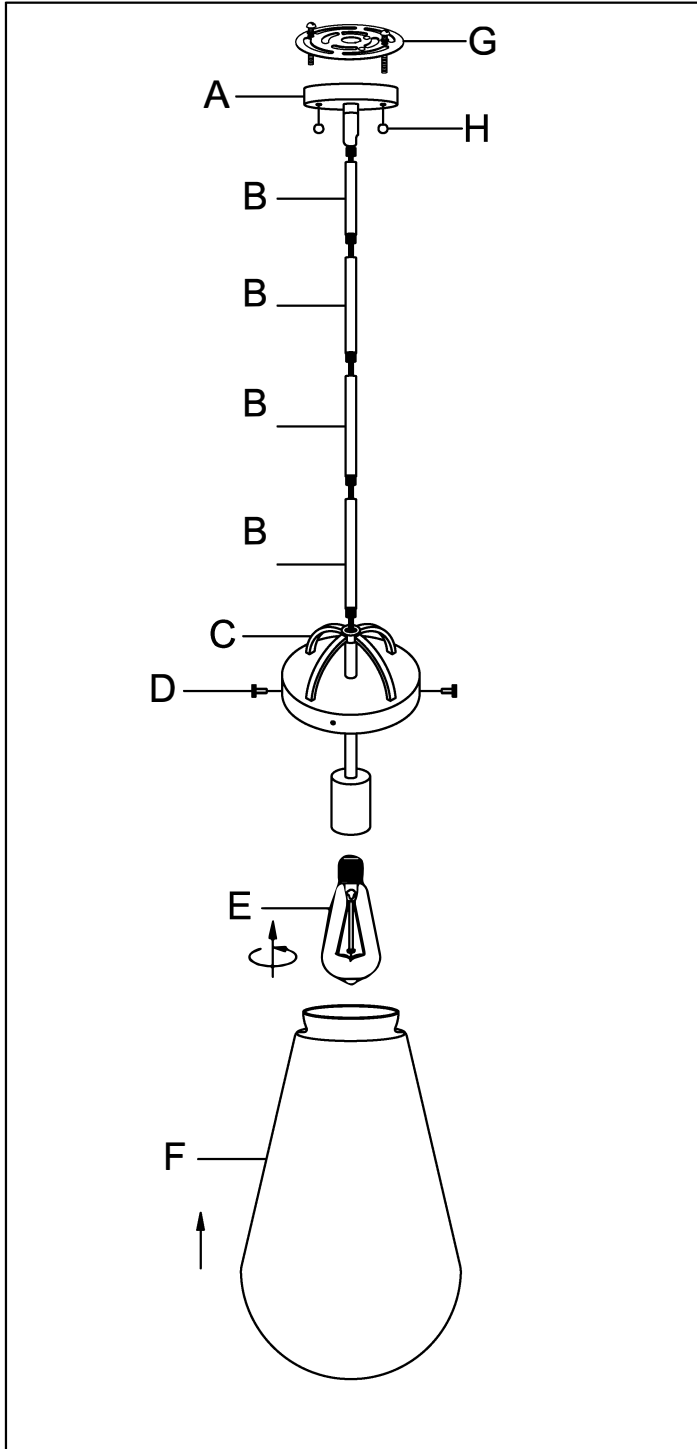


(B) Stems



(C) Body

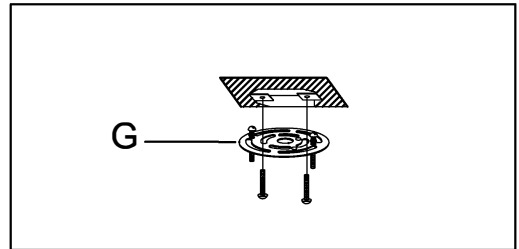
Locate all hardware & components before discarding packaging



**Cleaning & Care:**

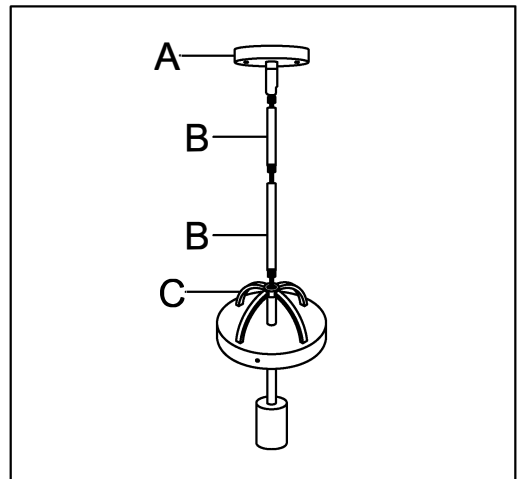
Clean with soft cloth and a mild detergent  
Do not use abrasive cleaner.

1.)



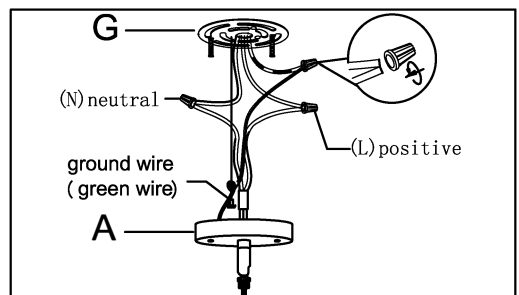
Step. 1: Remove mounting bracket (G) from fixture and install to electrical box.

2.)



Step. 2: Run wire through stems (B) and combine stem lengths to meet desired mounting height.

3.)



Step. 3: Wire fixture to wires in outlet box. Copper/Green wire is for Ground.

**IMPORTANT:** Turn off the power at the main fuse or circuit breaker box before starting installation



(D) Lock nut



(E) Glass

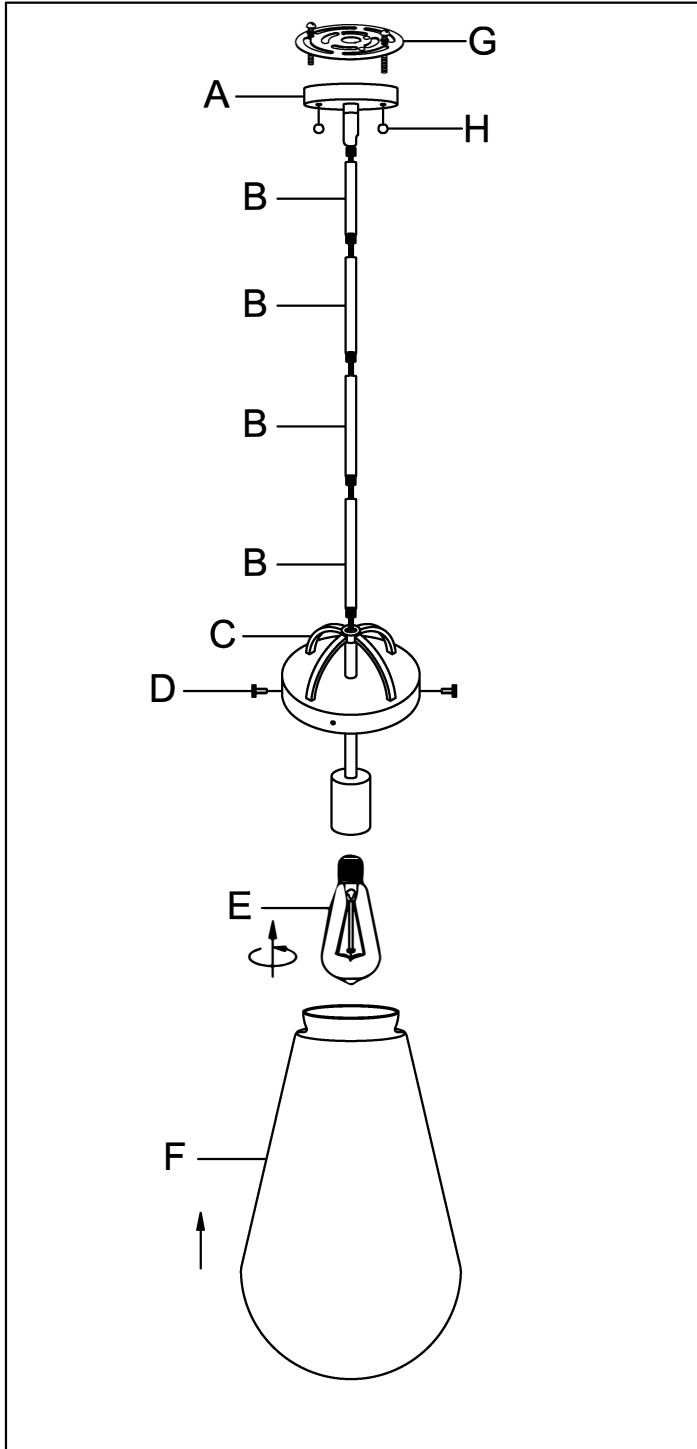


(F) Ball nut

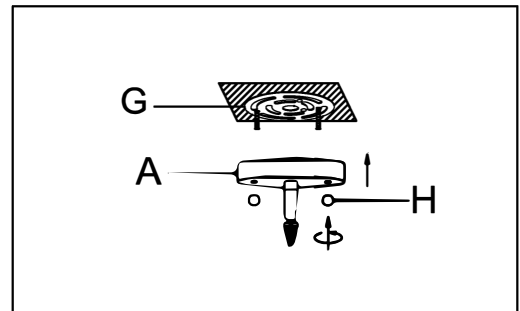


(G) Bracket

Locate all hardware & components before discarding packaging

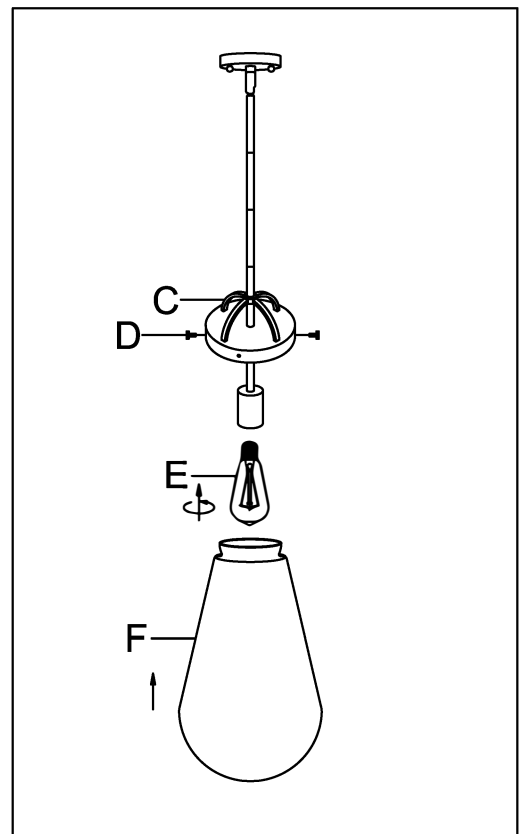


4.)



Step. 4: Install fixture to bracket and tighten ball nuts (H) on the canopy to secure.

5.)



Step. 5: Place the glass shade on the lamp body (C) and lock screw (D) , then install the bulb.

**Cleaning & Care:**

Clean with soft cloth and a mild detergent  
Do not use abrasive cleaner.