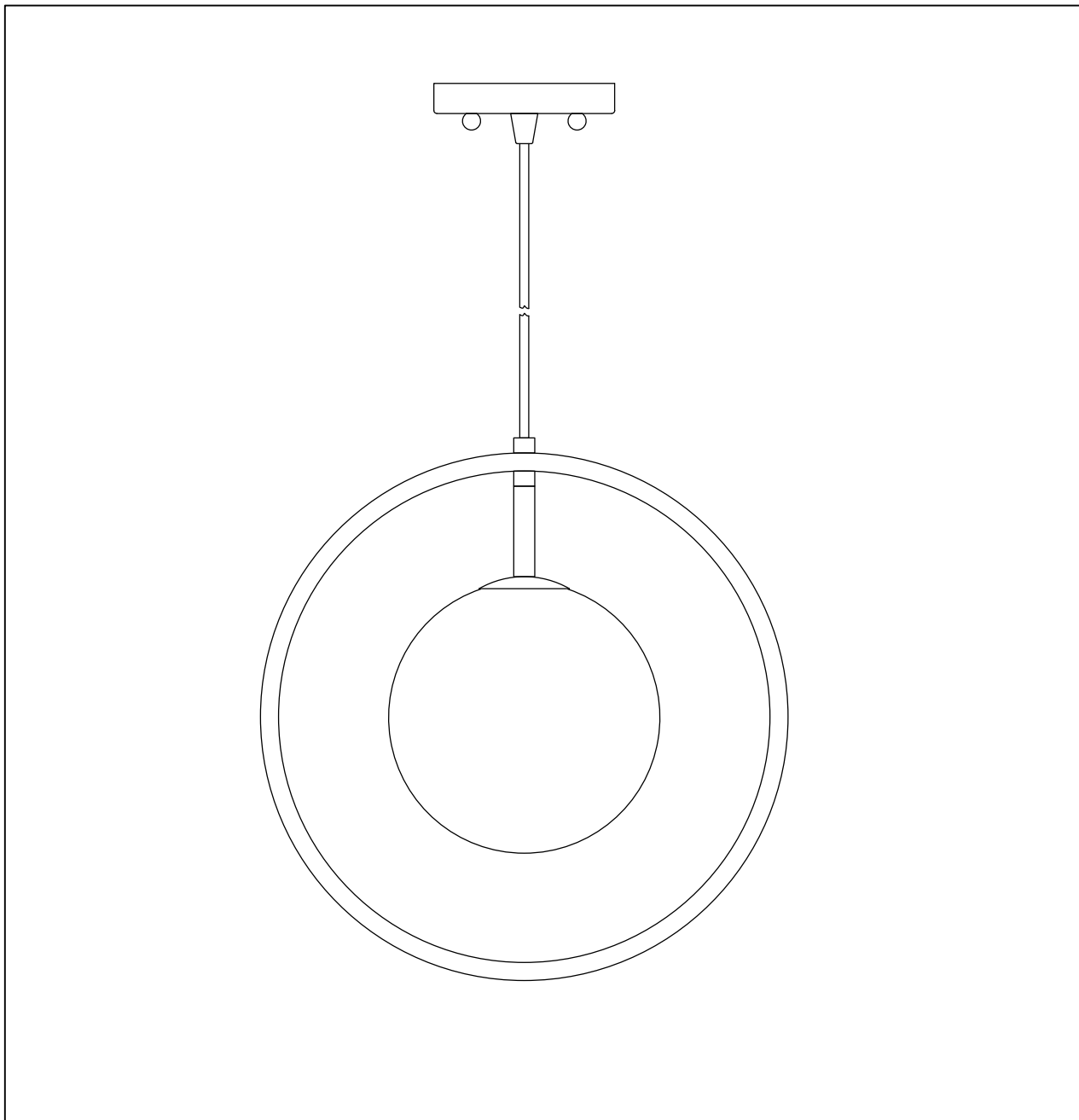




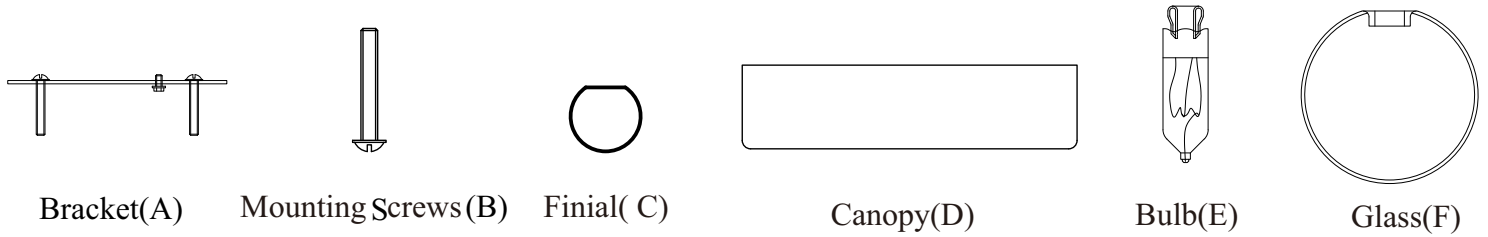
PRODUCT NAME: Fluid LED 1-Light Pendant  
ITEM NUMBER: 11365

Please consult your electrician for hanging fixture and wiring.

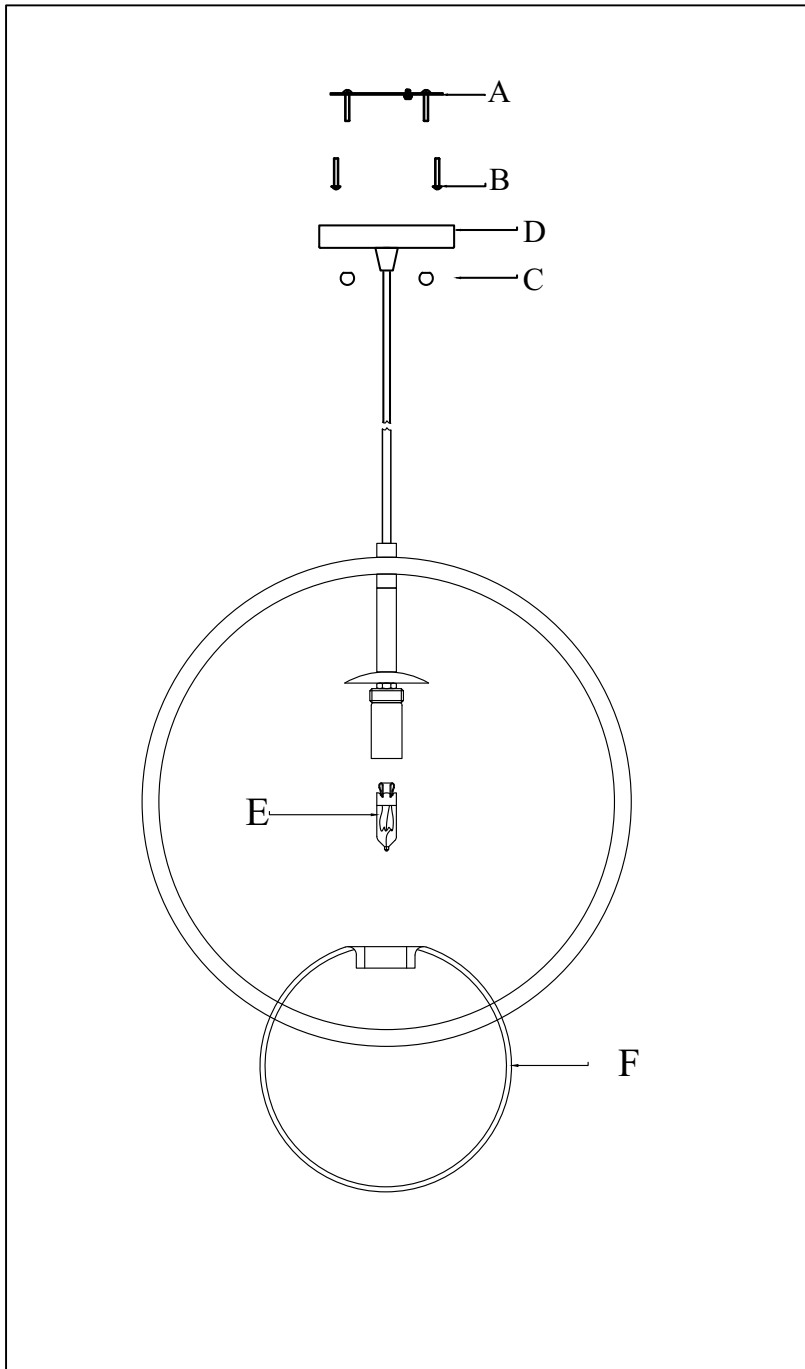


Bulbs ( Included ): G9 1\*4W

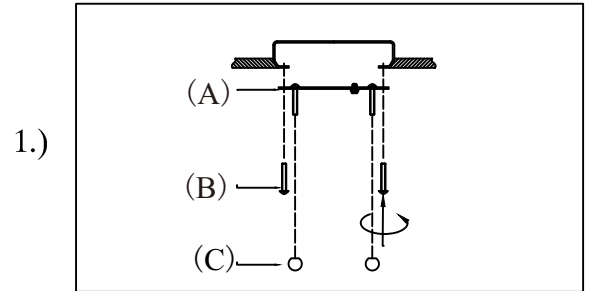
**IMPORTANT:** Turn off the power at the main fuse or circuit breaker box before starting installation



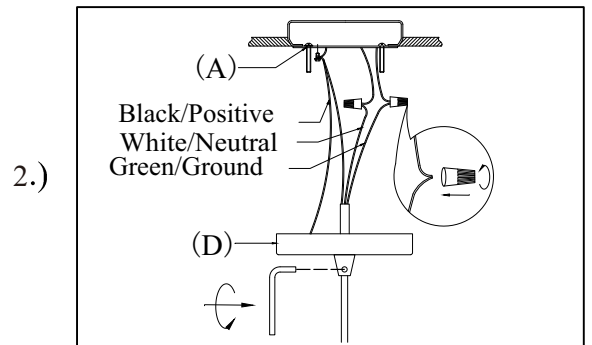
Locate all hardware & components before discarding packaging



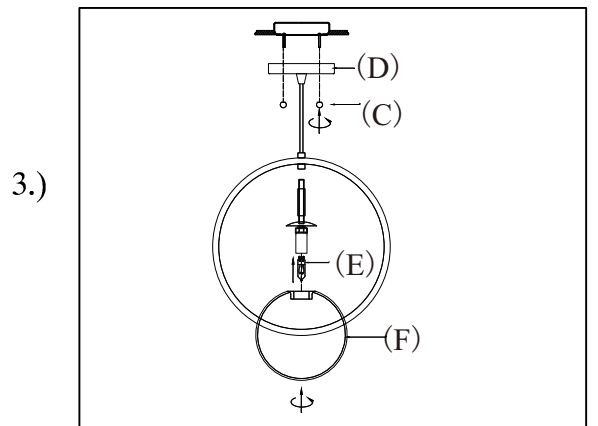
**Cleaning & Care:**  
Clean with soft cloth and a mild detergent.  
Do not use abrasive cleaner.



Step1 :Remove mounting bracket from fixture and install to electrical box.



Step2 :Adjust wire length to desired mounting height, and tighten strain relief screws to secure. Wire fixture to wires in outlet box. Green wire is for Ground.



Step3 :Install fixture to the bracket using ball nuts on the canopy. Install bulb provided into socket and thread the glass onto socket.