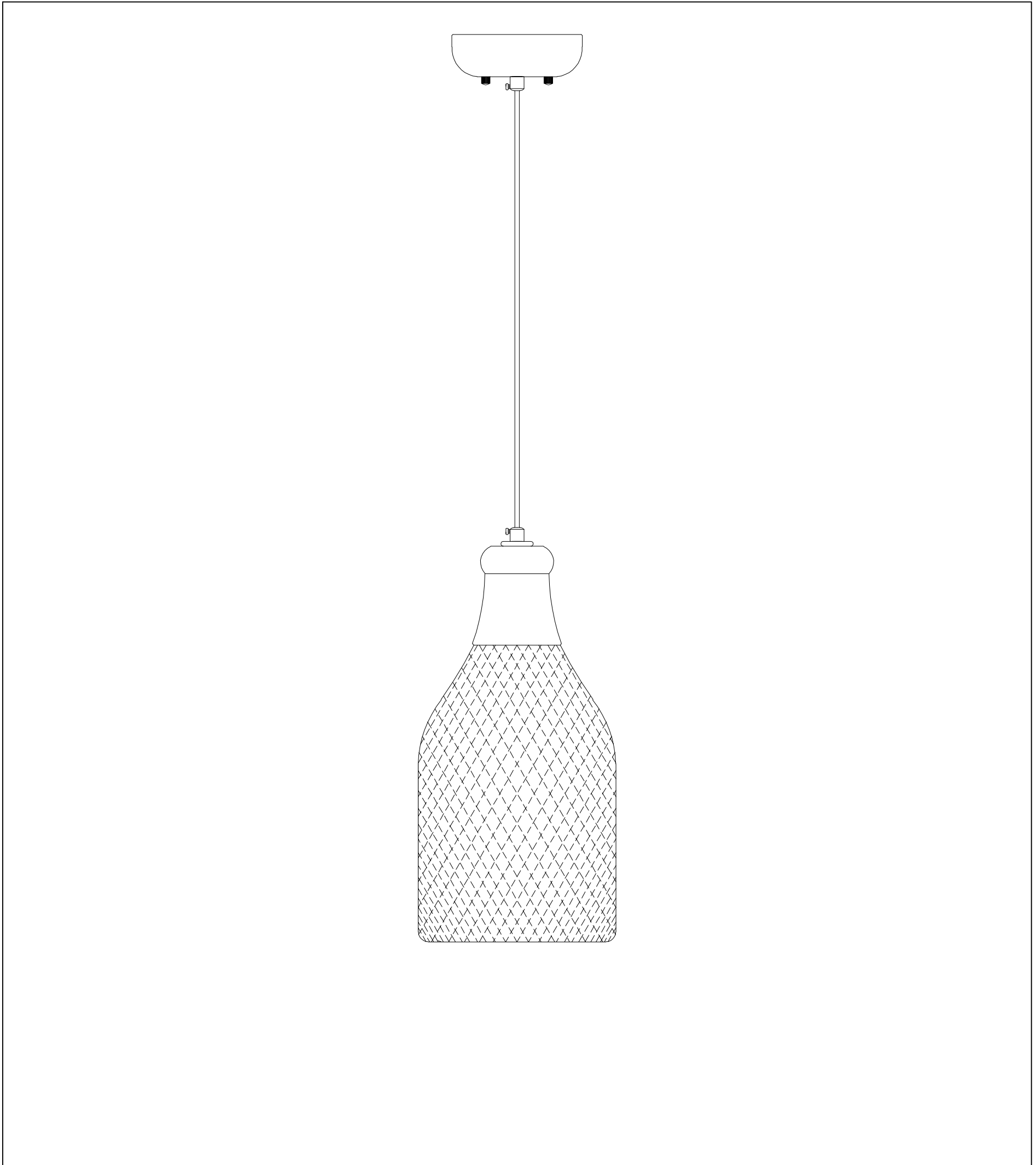




PRODUCT NAME: Cocoon
ITEM NUMBER: 12162WTWT

Please consult your electrician for hanging fixture and wiring.



GU24 1X13W

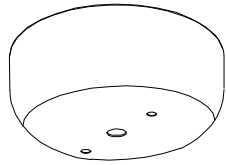
**PRODUCTS ARE NOT INENDED
FOR COMMERCIAL USE.**

**MADE IN CHINA
Page 1 of (2)**

IMPORTANT: Turn off the power at the main fuse or circuit breaker box before starting installation



Bracket (A)



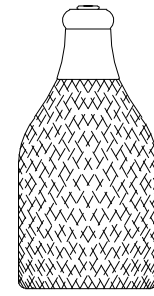
Canopy (B)



Finial (C)

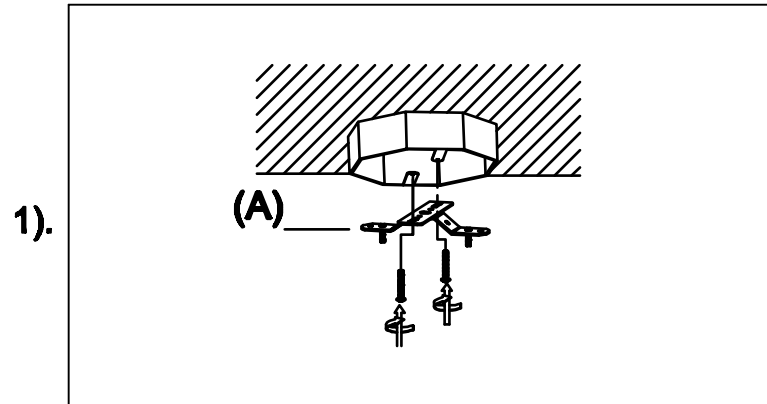
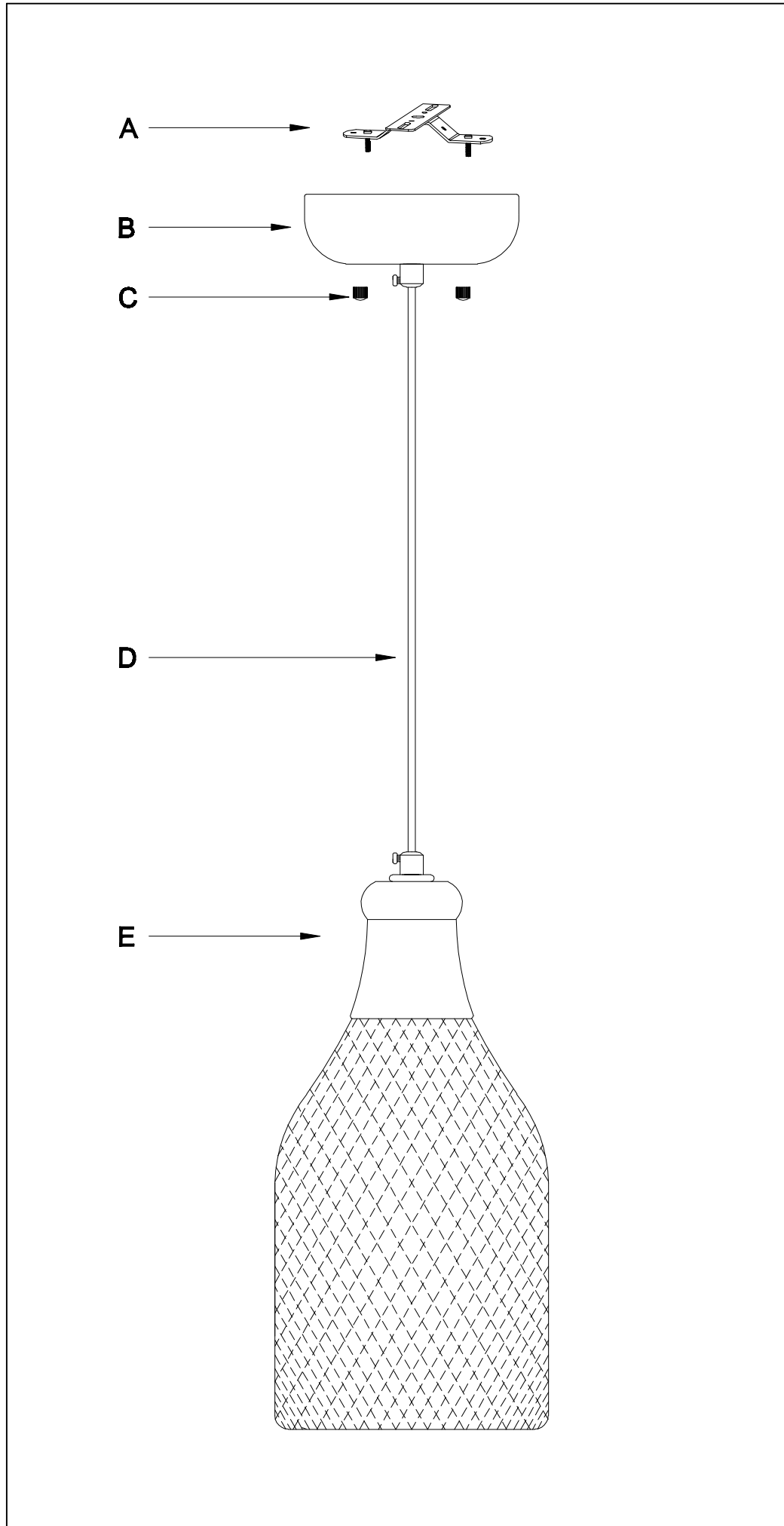


Body (D)



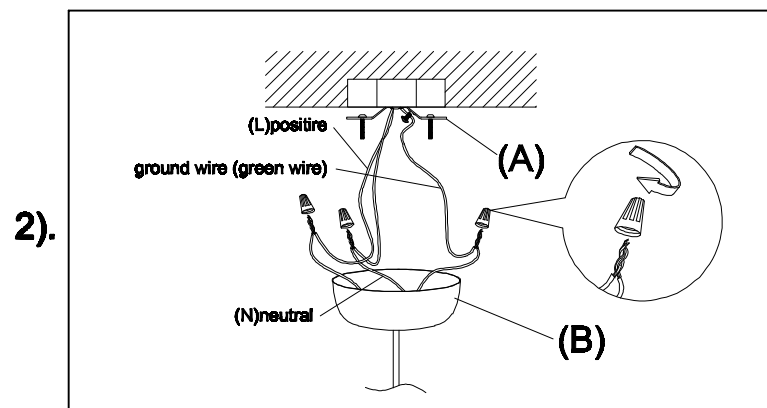
Shade (E)

Locate all hardware & components before discarding packaging



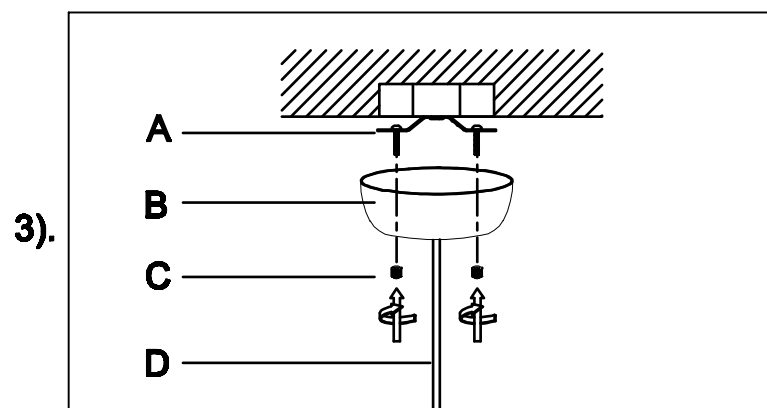
1).

Step.1: Remove mounting bracket(A) from fixture and install to electrical box.



2).

Step.2: Wire fixture to wires in outlet box. Green wire is for Ground.



3).

Step.3: Adjust cable length to desired mounting height, and tighten strain relief screws to secure. Install body (D) to bracket (A) and tighten finials (C) on the canopy (B) to secure.

Cleaning & Care:

Clean with soft cloth and a mild detergent.
Do not use abrasive cleaner.