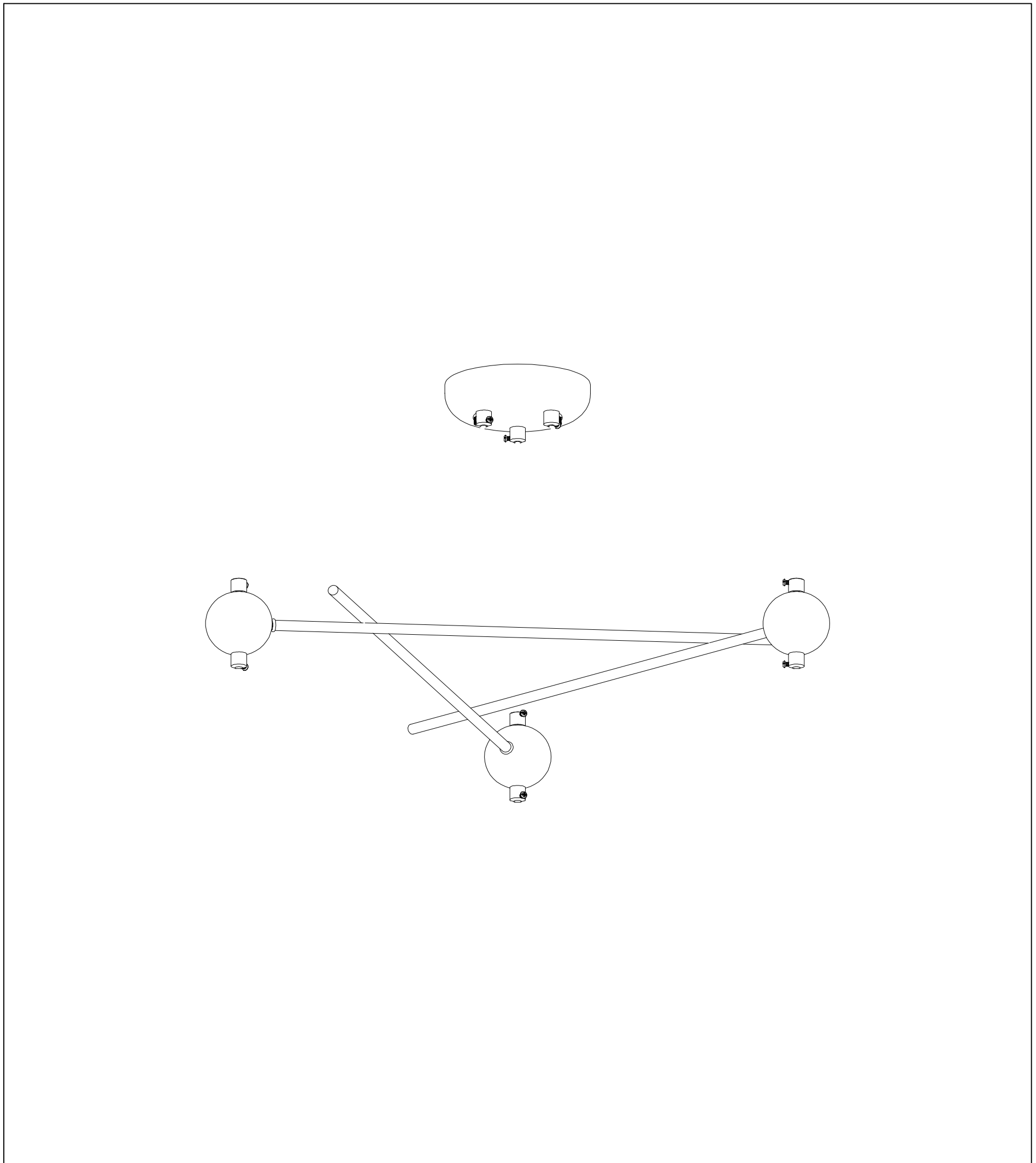




PRODUCT NAME: Lamp Separator
ITEM NUMBER: 12179PC

Please consult your electrician for hanging fixture and wiring.

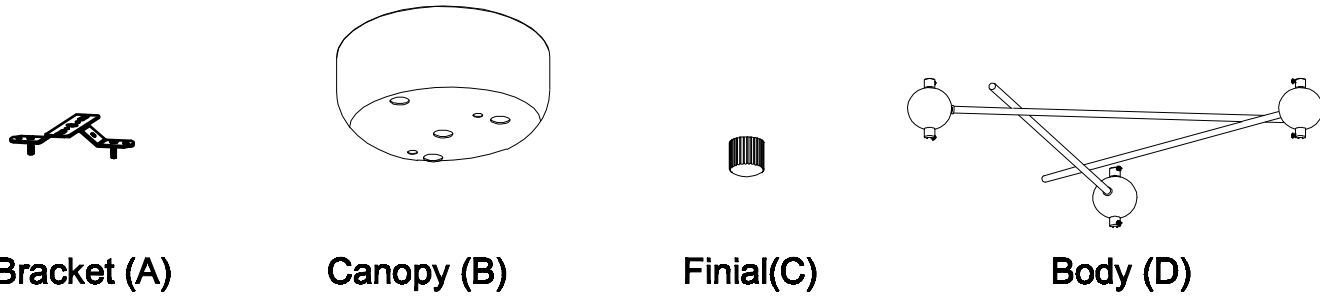


E26 3*60W

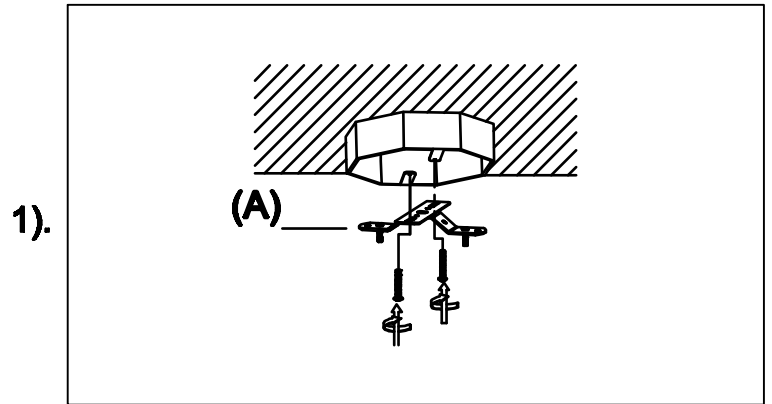
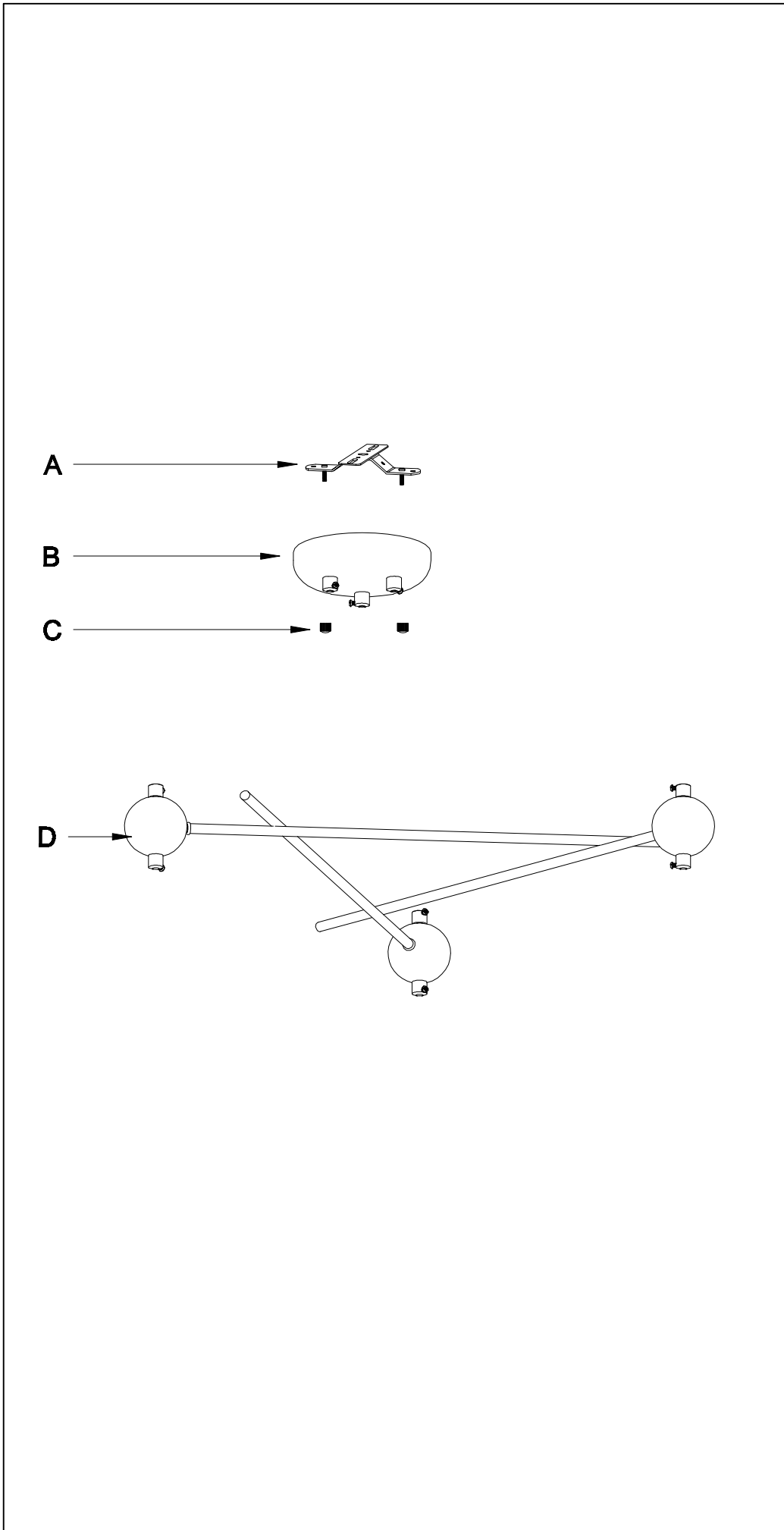
**PRODUCTS ARE NOT INENDED
FOR COMMERCIAL USE.**

**MADE IN CHINA
Page 1 of (2)**

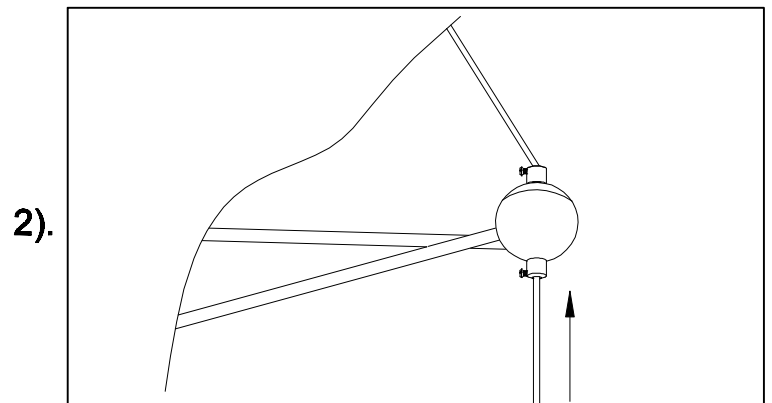
IMPORTANT: Turn off the power at the main fuse or circuit breaker box before starting installation



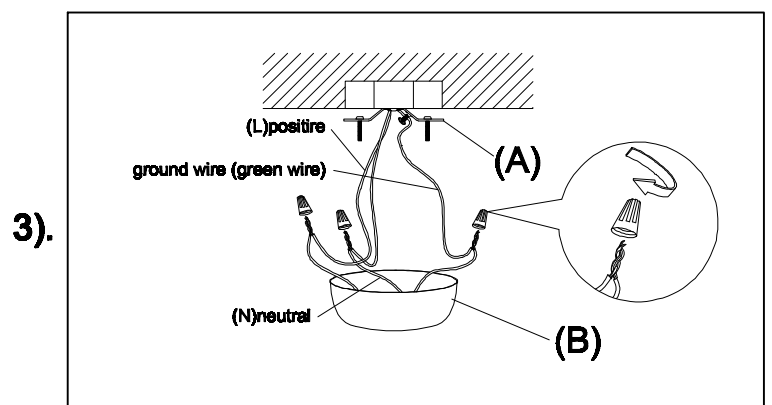
Locate all hardware & components before discarding packaging



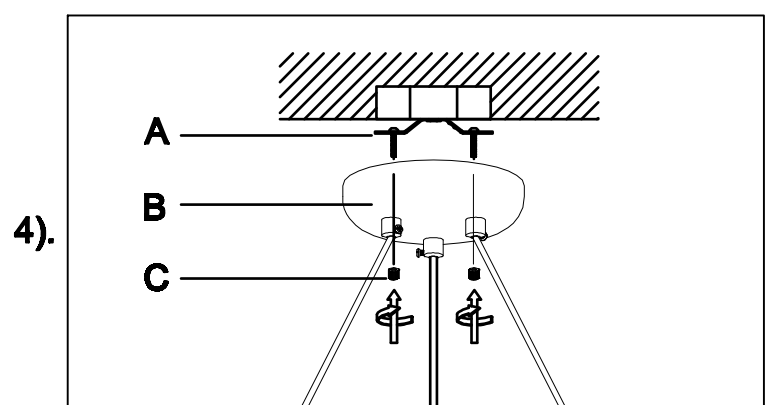
Step.1: Remove mounting bracket(A) from fixture and install to electrical box.



Step.2: Adjust cable length to desired mounting height, and tighten strain relief screws to secure



Step.3: Wire fixture to wires in outlet box. Green wire is for Ground.



Step.4: Adjust cable through separator to desired hanging height and tighten strain relief screws at top and bottom to secure. Refer to lamp installation to hang shades from cable.

Cleaning & Care:

Clean with soft cloth and a mild detergent. Do not use abrasive cleaner.