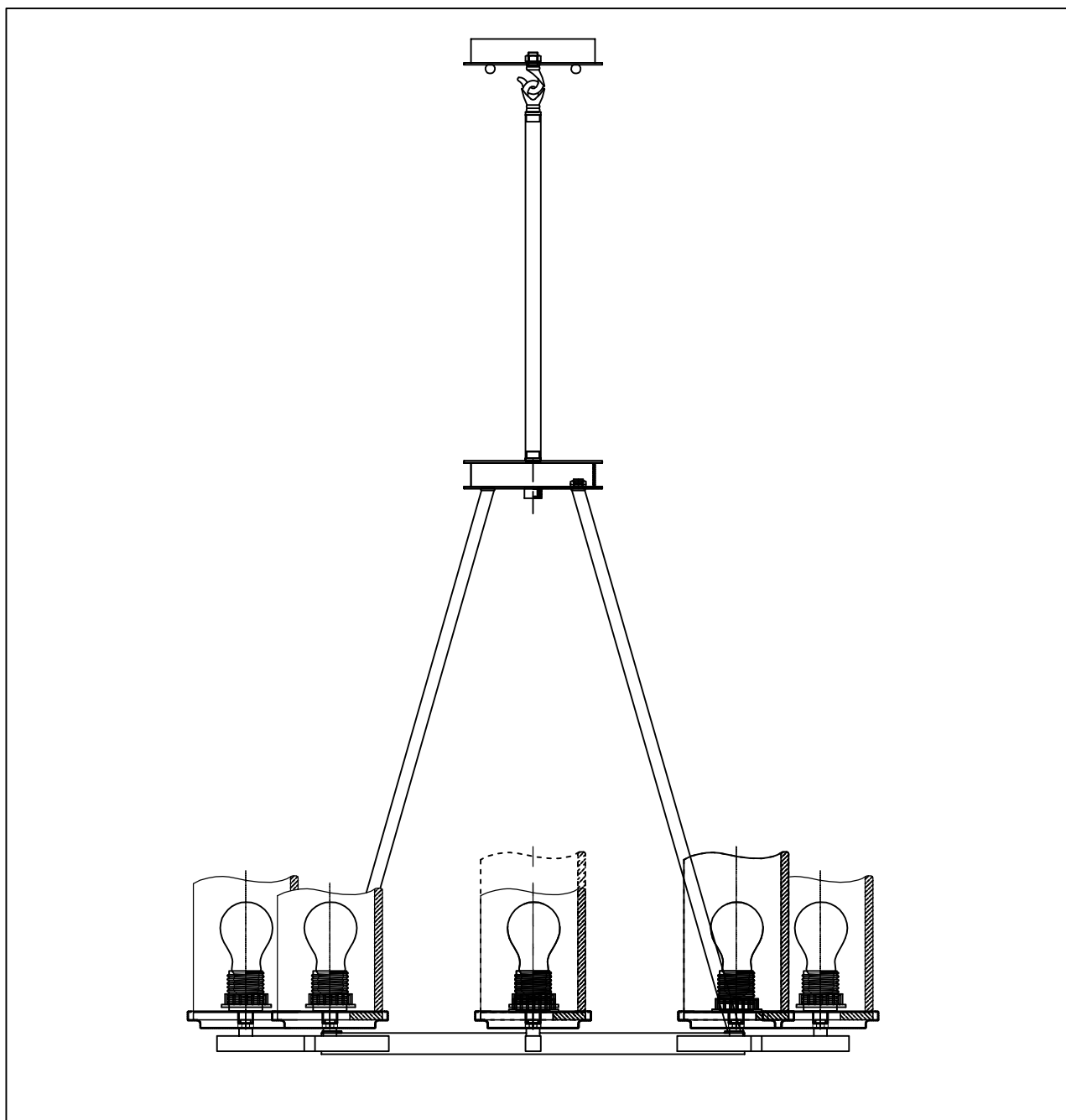




PRODUCT NAME: Luminous  
ITEM NUMBER: 21145

Please consult your electrician for Hang fixture and wiring.

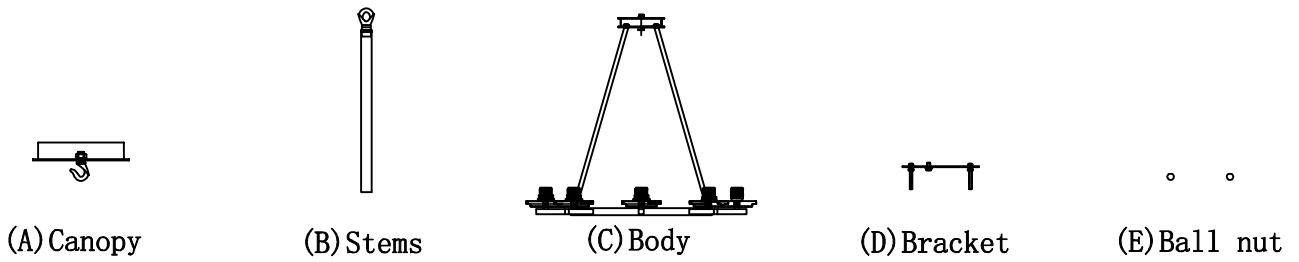


Bulb(not included) :8\*MB 60W

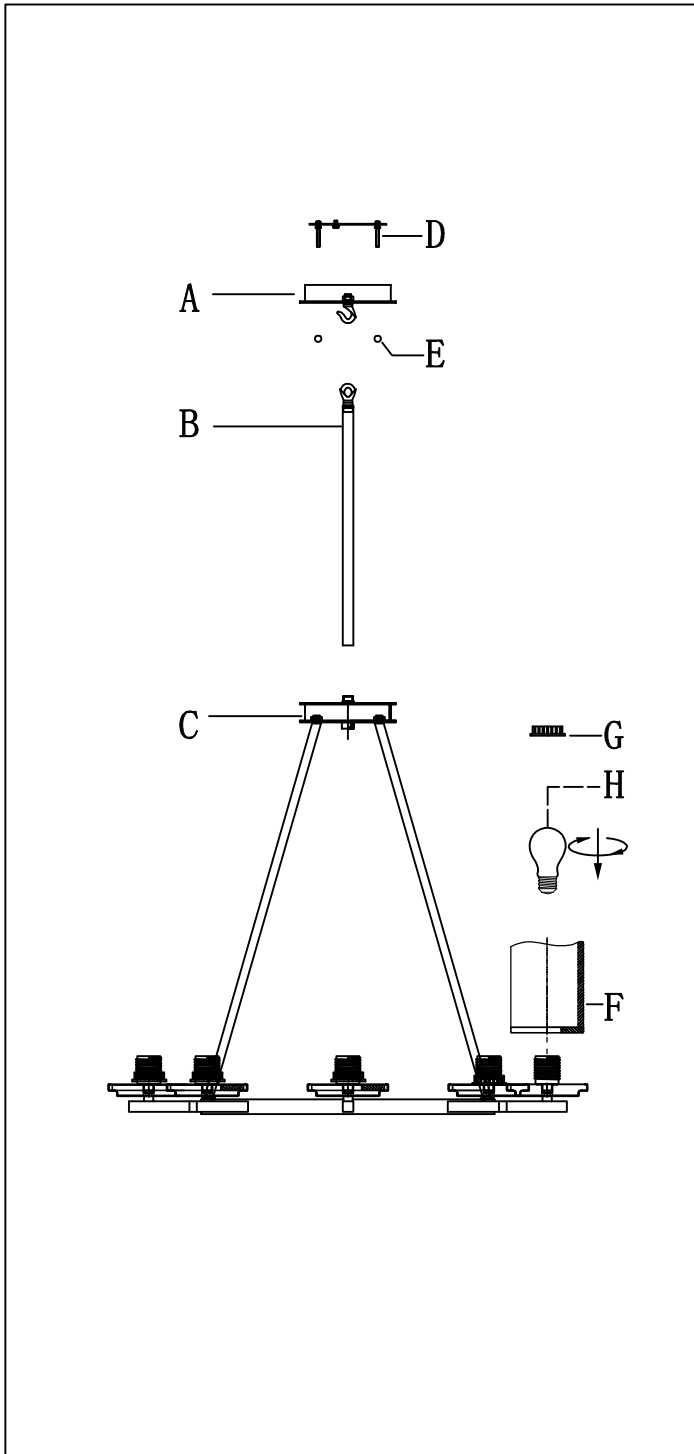
PRODUCTS ARE NOT INENDED  
FOR COMMERCIAL USE.

MADE IN CHINA  
Page 1 of (3)

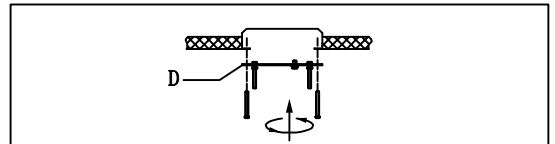
**IMPORTANT:** Turn off power at the main fuse or circuit breaker box before starting installation



**Locate all hardware & components before discarding packaging**

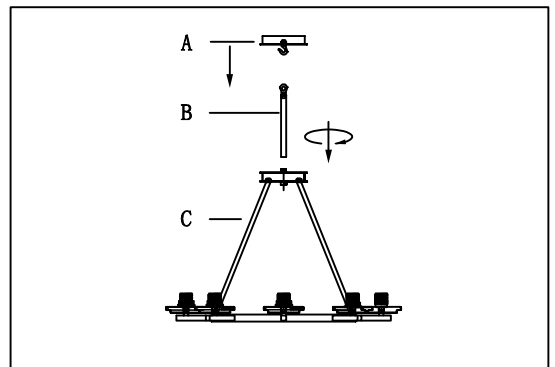


1.)



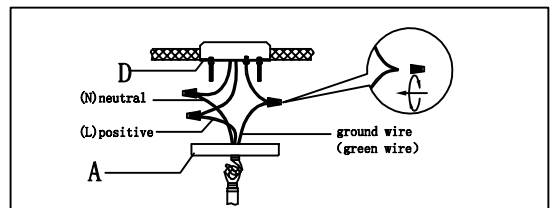
**Step. 1:** Remove mounting bracket(D) from fixture and install to electrical box.

2.)



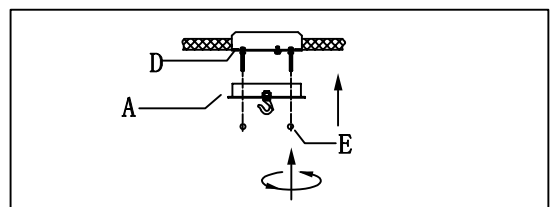
**Step. 2:** Run wire through stems(B) and combine stem lengths to meet desired mounting height.

3.)



**Step. 3:** Wire fixture to wires in outlet box. Copper/Green wire is for Ground.

4.)

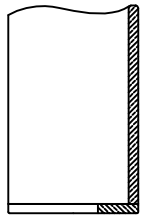


**Step. 4:** Install fixture to bracket and tighten ball nuts (E) on the canopy to secure.

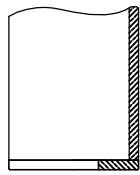
**Cleaning & Care:**

Clean with soft cloth and a mild detergent. Do not use abrasive cleaner.

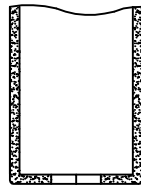
**IMPORTANT:** Turn off power at the main fuse or circuit breaker box before starting installation



(F-A) Stone shade



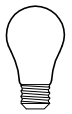
(F-B) Stone shade



(F-C) Stone shade

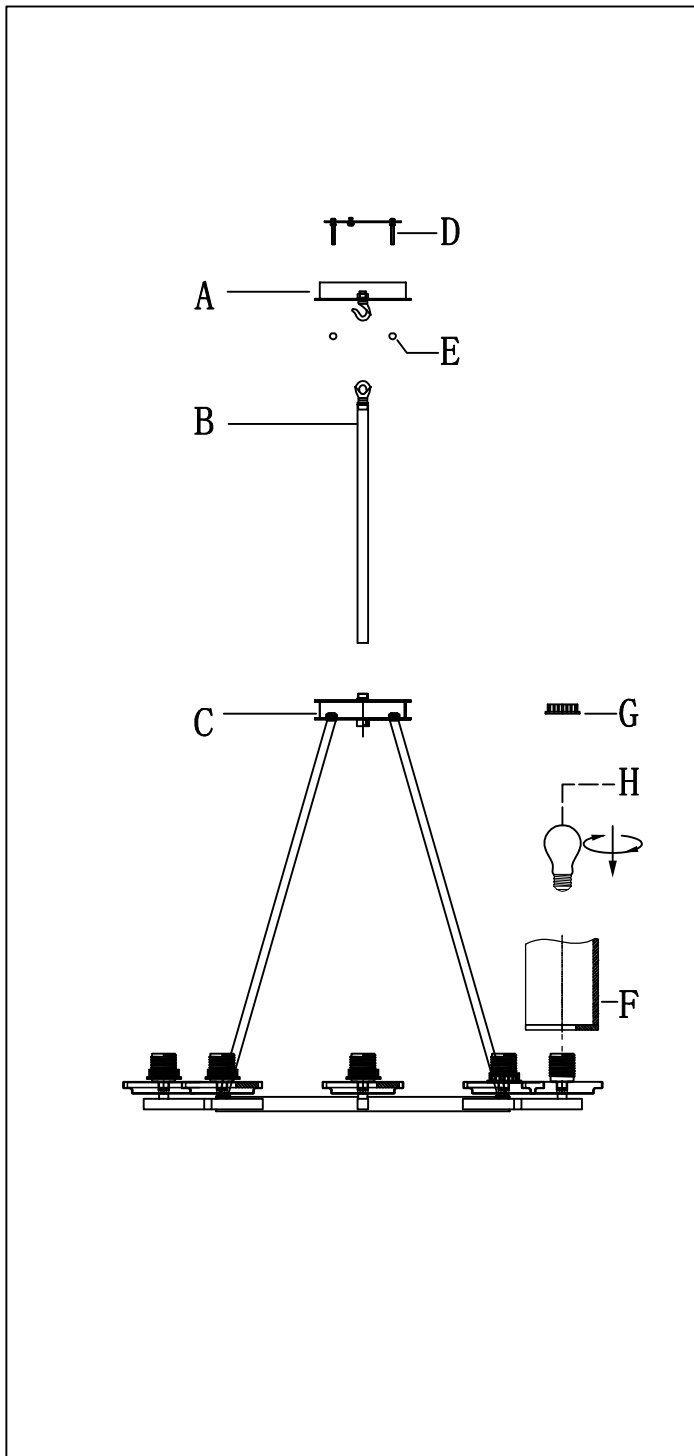


(G) E27 Socket Ring

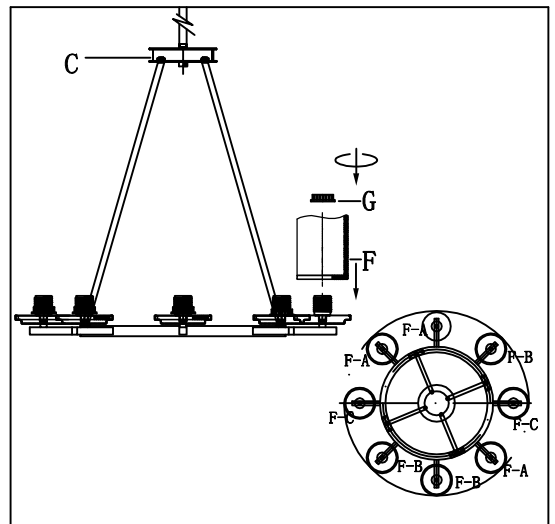


(H) Bulb

**Locate all hardware & components before discarding packaging**

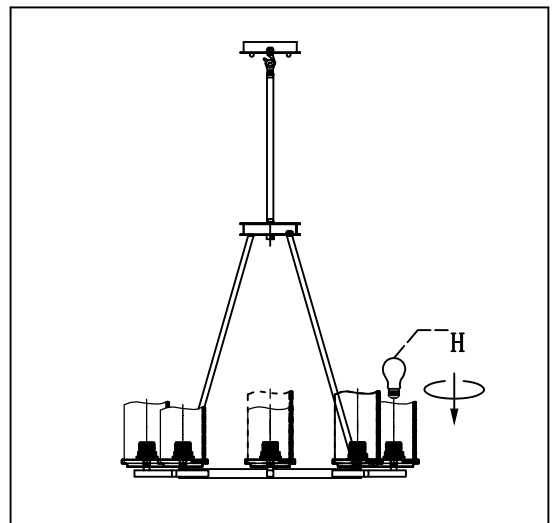


5.)



**Step. 5:** Hang the Stone shade (F) on lamp body (C)

6.)



**Step. 6:** Install the bulb

**Cleaning & Care:**

Clean with soft cloth and a mild detergent.  
Do not use abrasive cleaner.