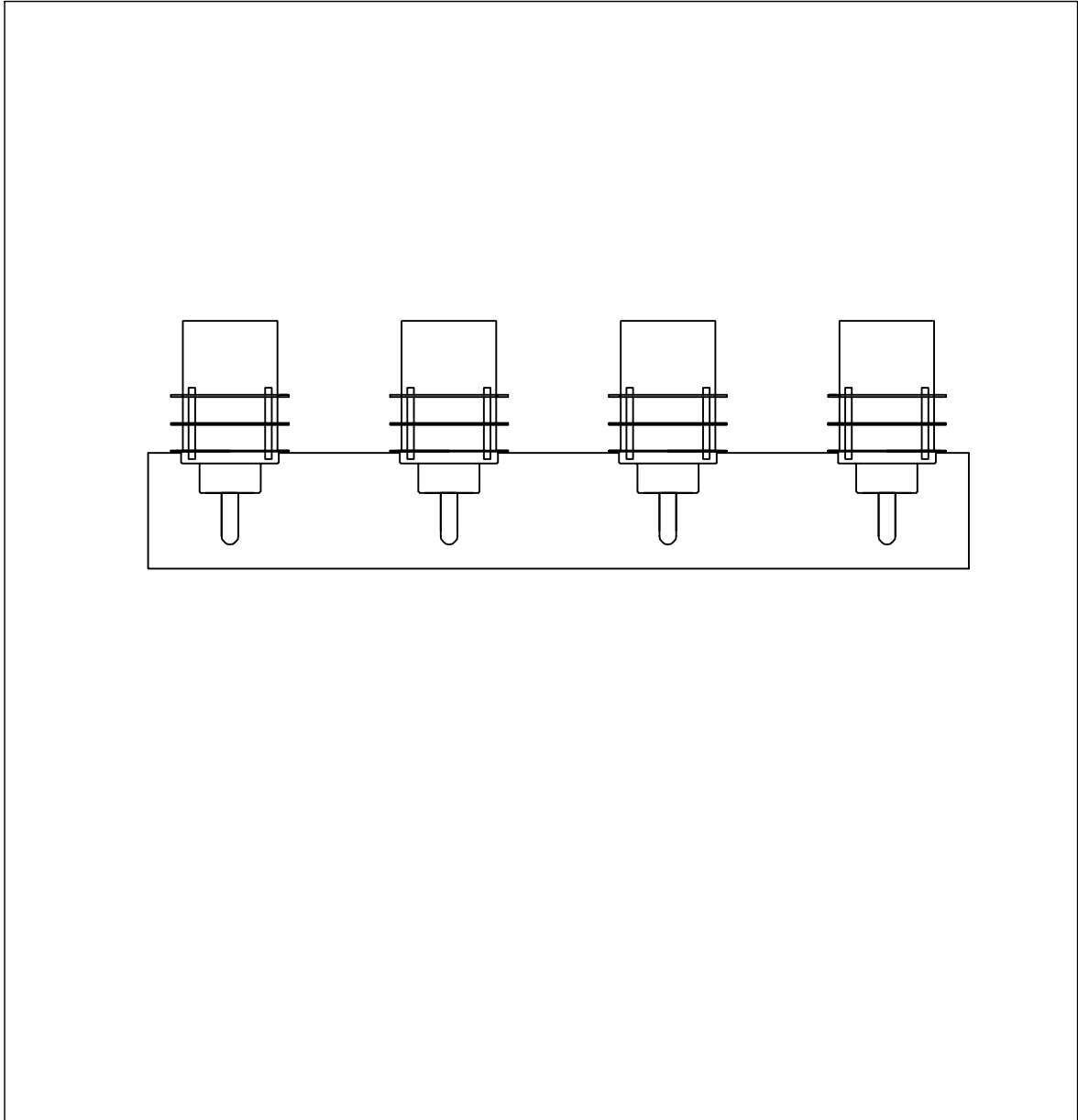




PRODUCT NAME: Tier vanity
ITEM NUMBER: 2131/2132/2133/2134

Please consult your electrician for hanging fixture and wiring.

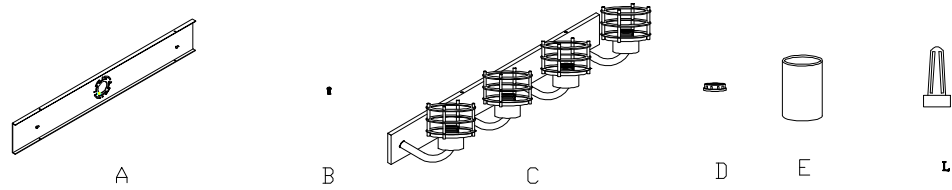


Bulb(not included): 60 Watt Candelabra Base Bulbs

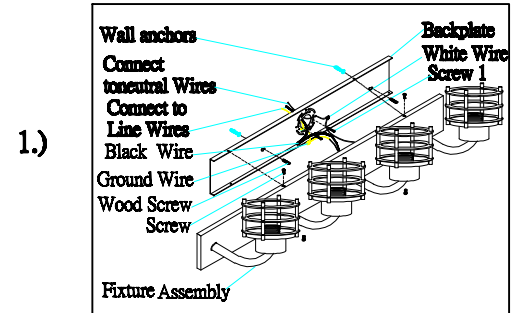
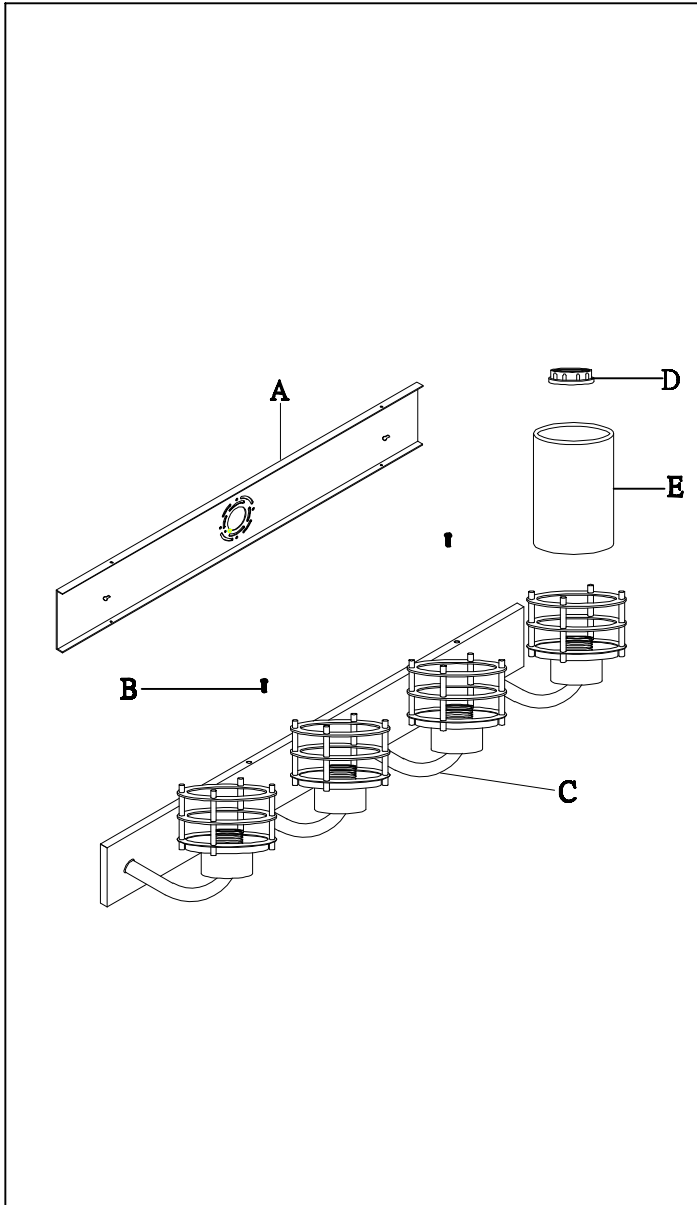
**PRODUCTS ARE NOT INTENDED
FOR COMMERCIAL USE.**

MADE IN CHINA
Page 1 of (2)

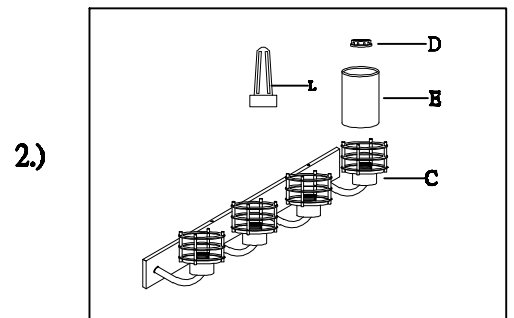
IMPORTANT: Turn off the power at the main fuse or circuit breaker box before starting installation



Locate all hardware & components before discarding packaging



Step 1: Remove mounting bracket (A) from fixture (C) and install it to electrical box. Wire fixture to wires in outlet box. Copper wire is for ground. Install fixture to back-plate and tighten screws (B) so that fixture meets the wall.



Step 2: Attach glass (E) to fixture (C) and use screw ring (D) to secure. Noted: fix the screw ring, glass and bulb by Wrench (L)

Cleaning & Care:

Clean with soft cloth and a mild detergent.
Do not use abrasive cleaner.