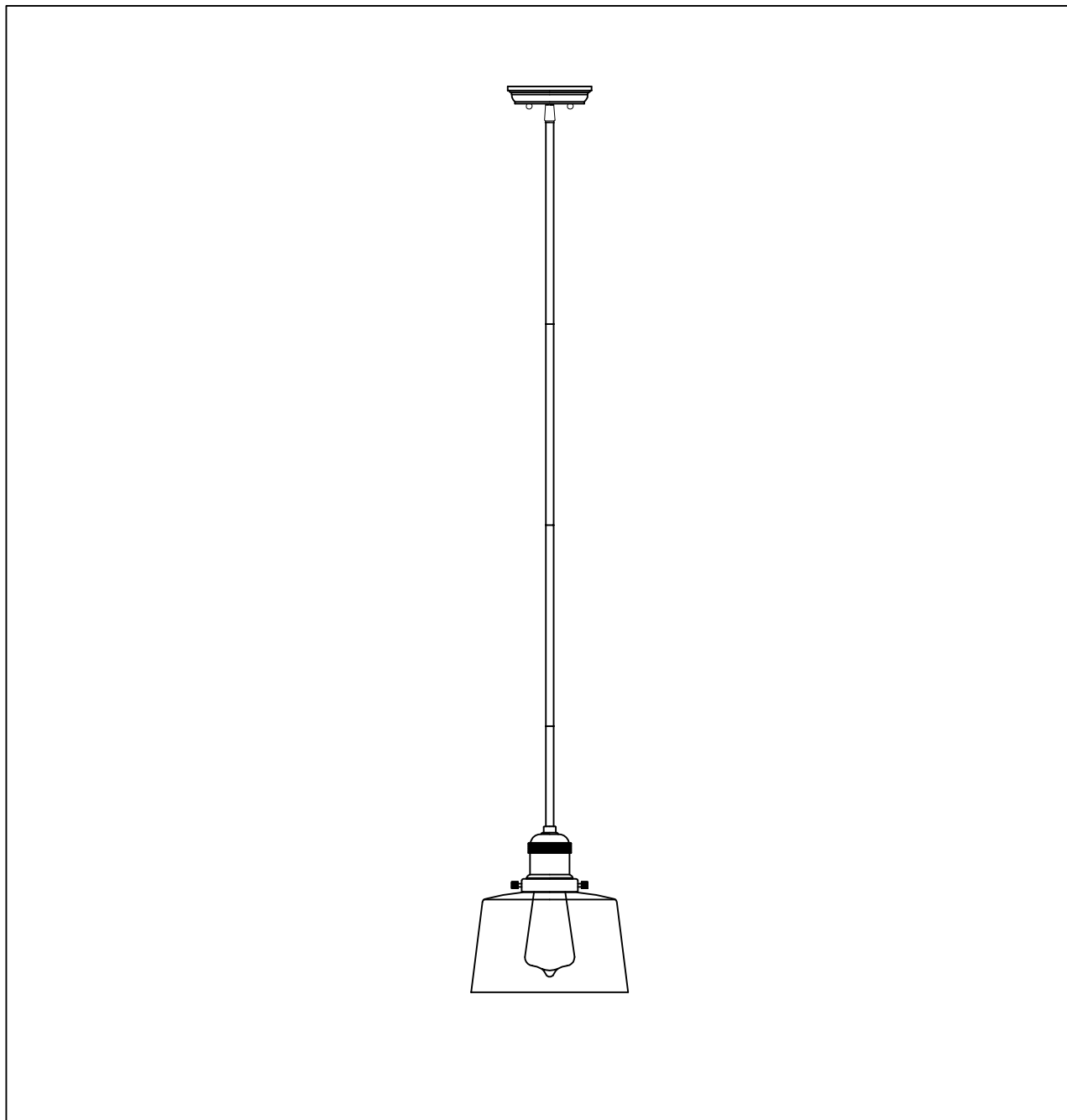




PRODUCT NAME: MI NI HI-BAY
ITEM NUMBER: 25049

Please consult your electrician for hanging fixture and wiring.

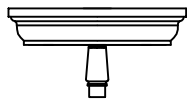


Bulb(not included):1 Edison-style bulbs recommended

**PRODUCTS ARE NOT INENDED
FOR COMMERCIAL USE.**

MADE IN CHINA
Page 1 of (3)

IMPORTANT: Turn off power at the main fuse or circuit breaker box before starting installation



(A) Canopy



(B) Stems

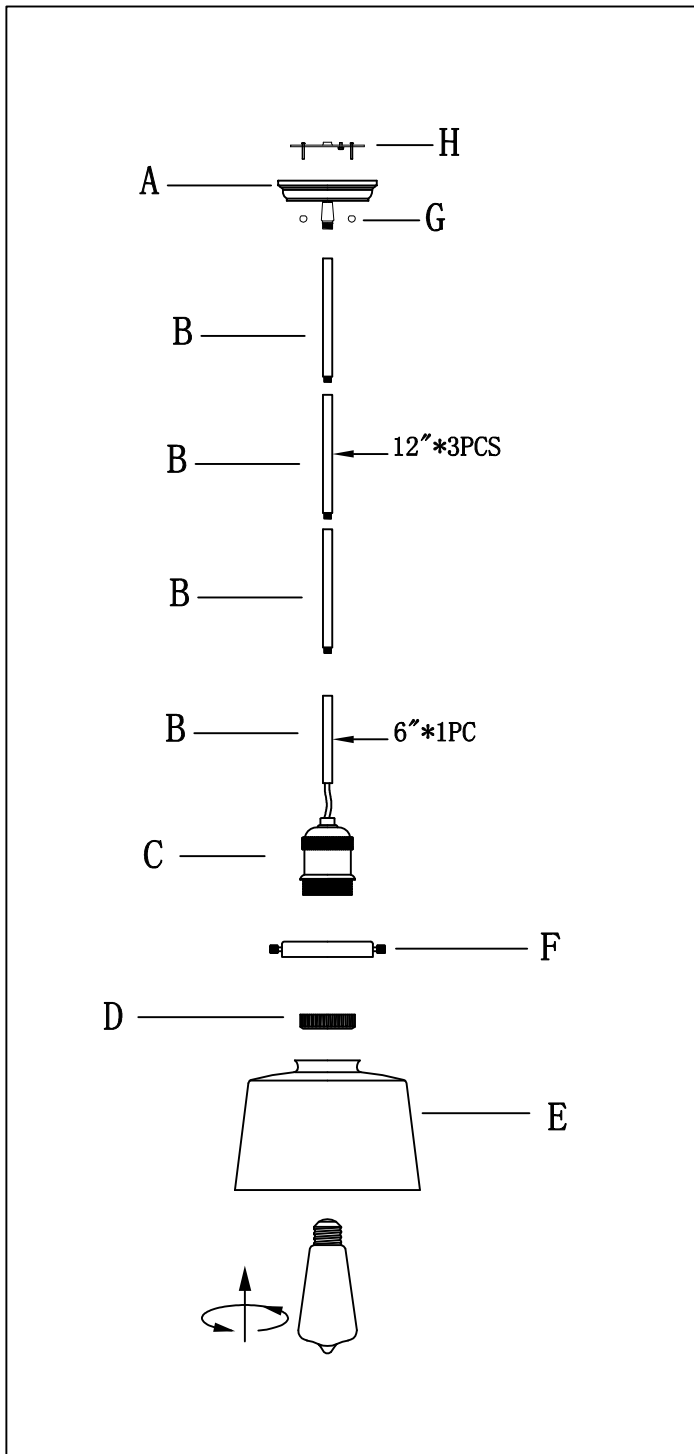


(C) Body

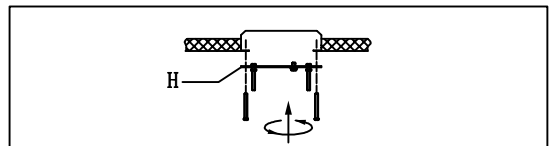


(D) Socket ring

Locate all hardware & components before discarding packaging

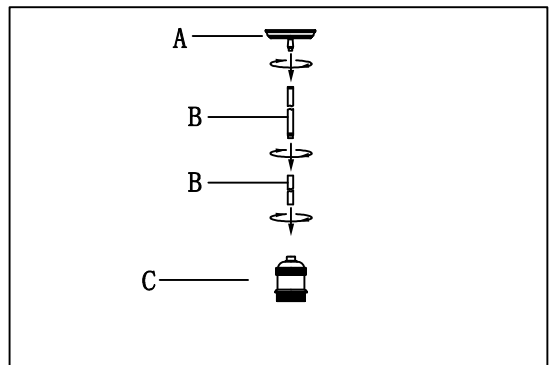


1.)



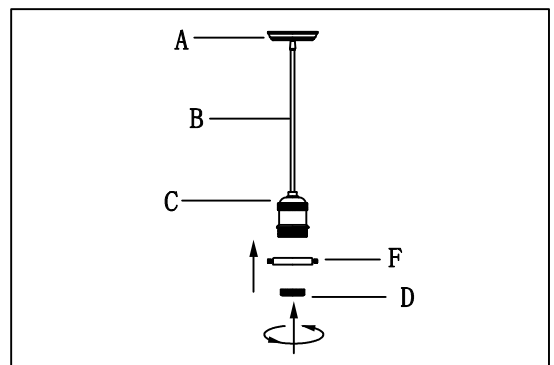
Step. 1: Remove mounting bracket(H) from fixture and install to electrical box.

2.)



Step. 2: Run wire through stems(B) and combine stem lengths to meet desired mounting height.

3.)

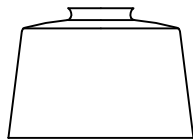


Step. 3: Use socket ring(D) to lock the plate(F) on socket.

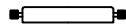
Cleaning & Care:

Clean with soft cloth and a mild detergent. Do not use abrasive cleaner.

IMPORTANT: Turn off power at the main fuse or circuit breaker box before starting installation



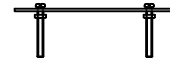
(E) Glass



(F) Plate

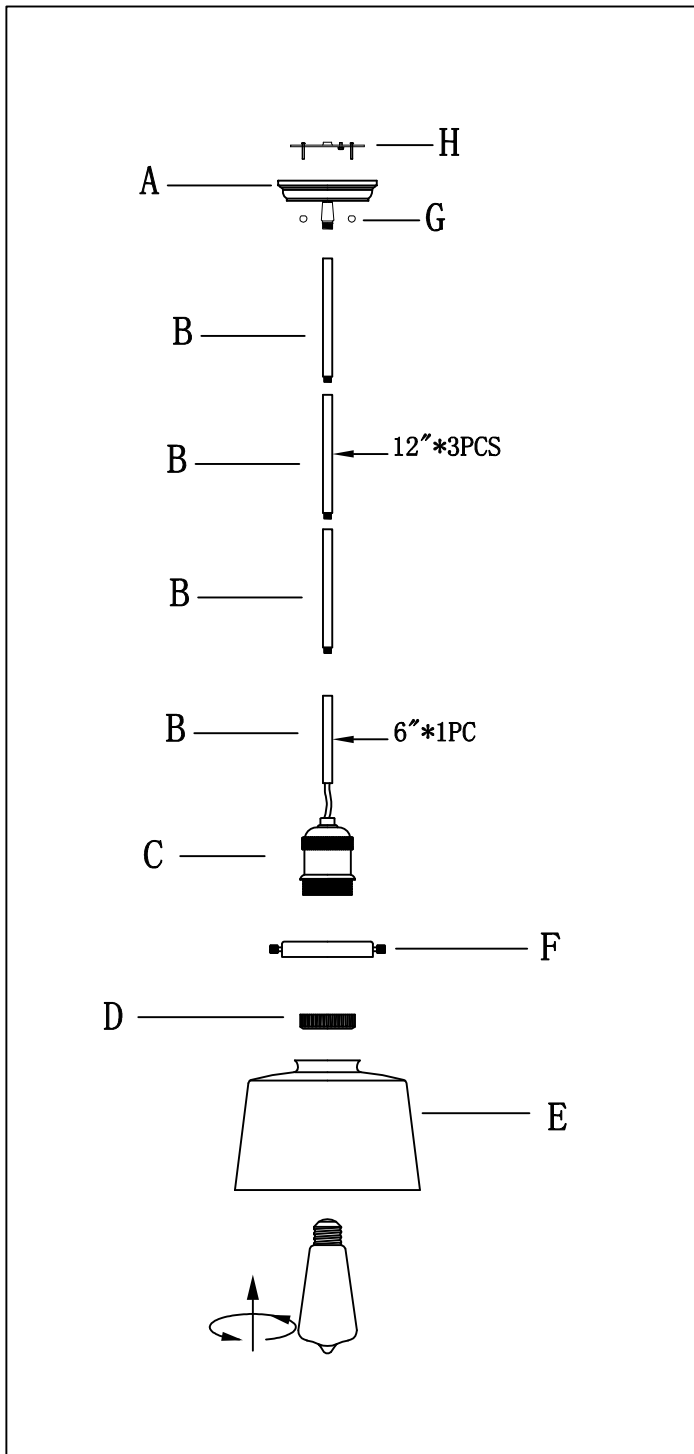


(G) Ball nut

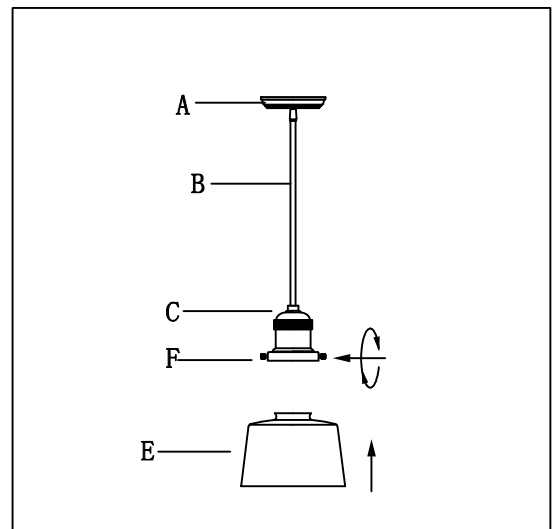


(H) Bracket

Locate all hardware & components before discarding packaging

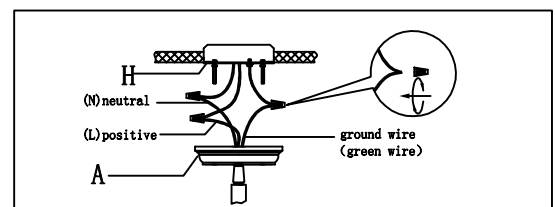


4.)



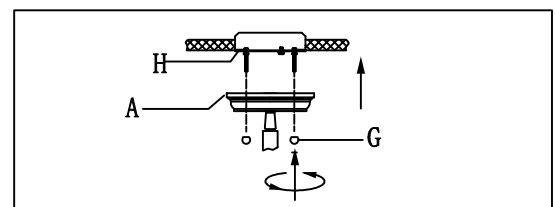
Step. 4: Install glass (E) into plate (F), and use the screw which on the side of Plate (F) and lock the glass under the Plate.

5.)



Step. 5: Wire fixture to wires in outlet box. Copper/Green wire is for Ground.

6.)



Step. 6: Install fixture to bracket and tighten ball nuts (G) on the canopy to secure.

Cleaning & Care:

Clean with soft cloth and a mild detergent. Do not use abrasive cleaner.