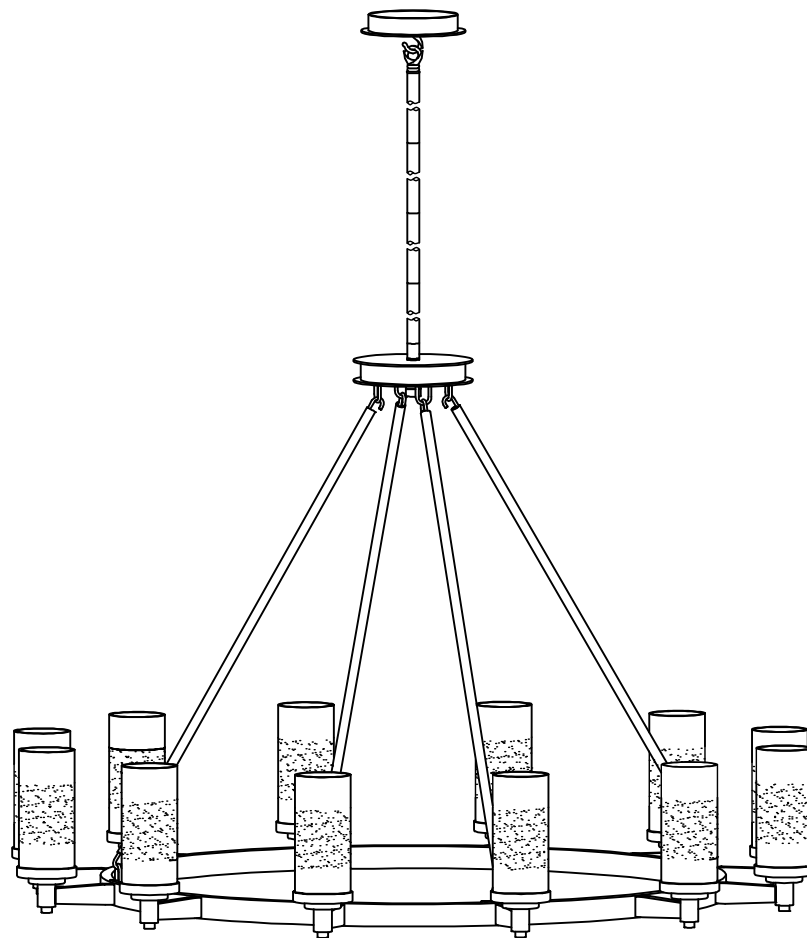




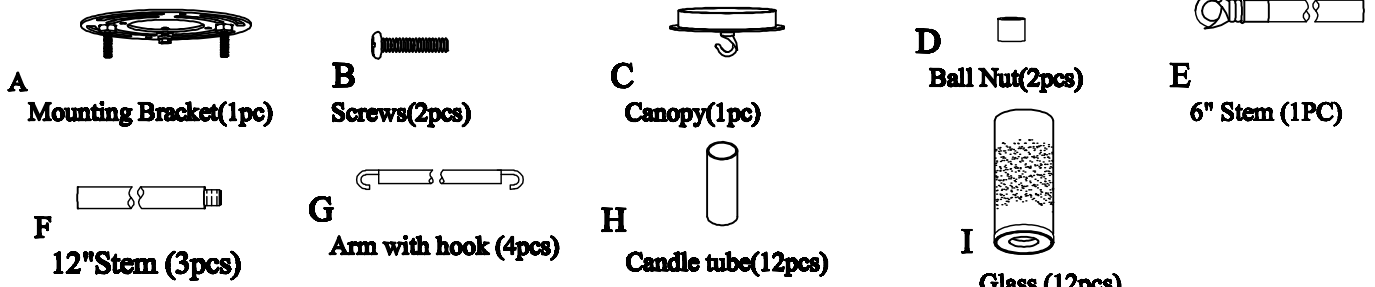
**PRODUCT NAME: Crescendo 12lt chandelier**  
**ITEM NUMBER: 26329**

**Please consult your electrician for hanging fixture and wiring.**

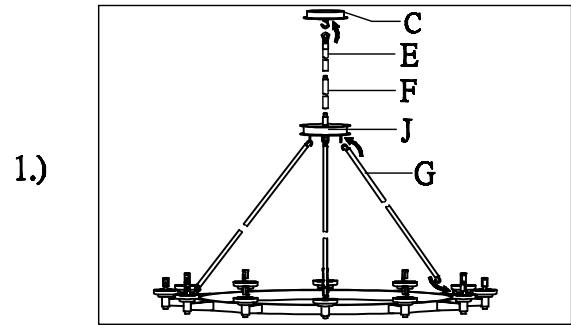
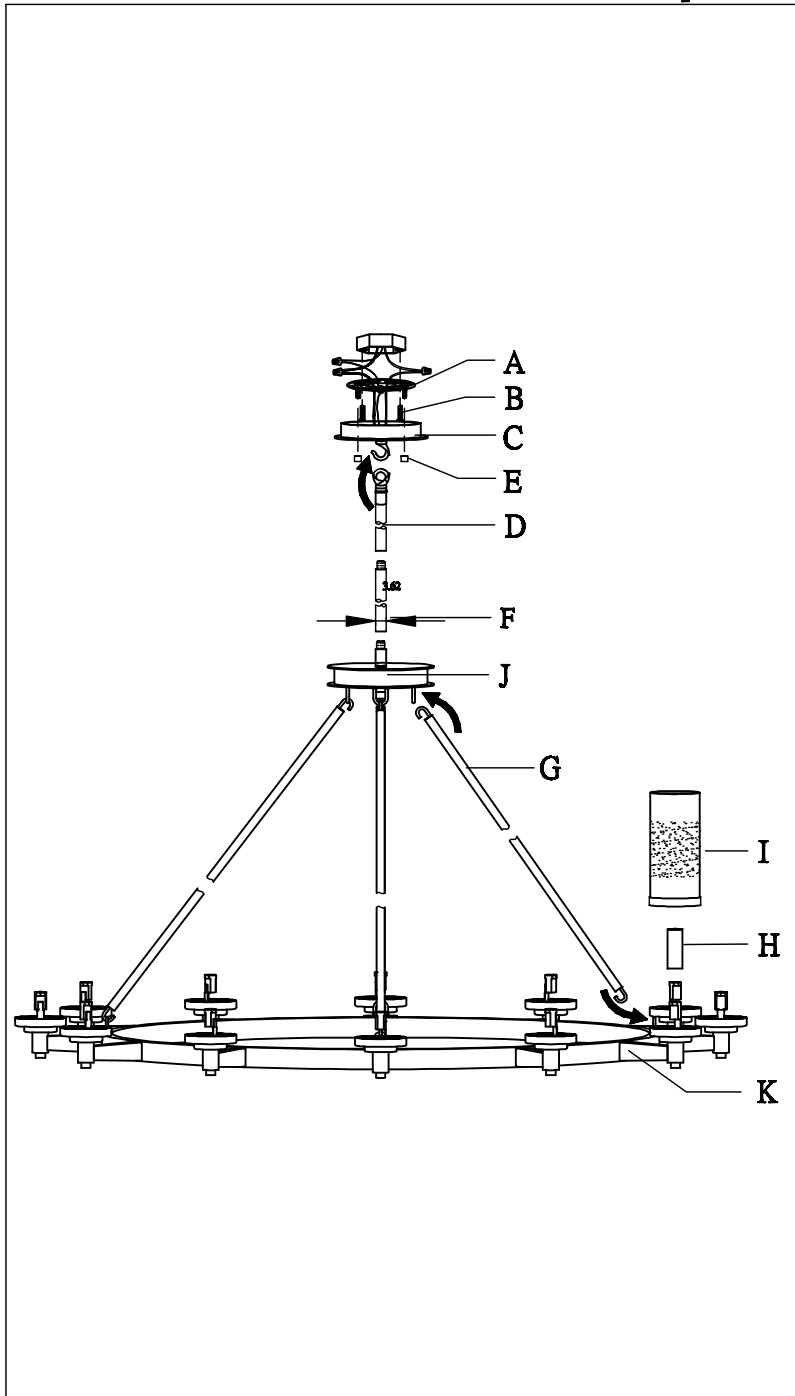


**Bulb(not included): 12-60 CA Incandescent Bulbs**

**IMPORTANT: Turn off the power at the main fuse or circuit breaker box before starting installation**

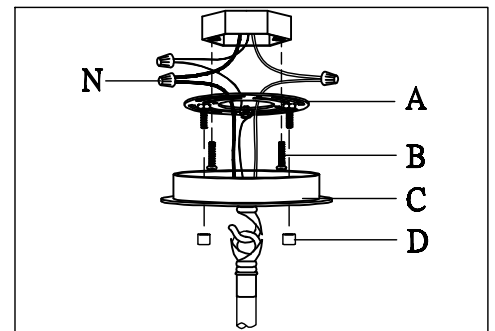


**Locate all hardware & components before discarding packaging**



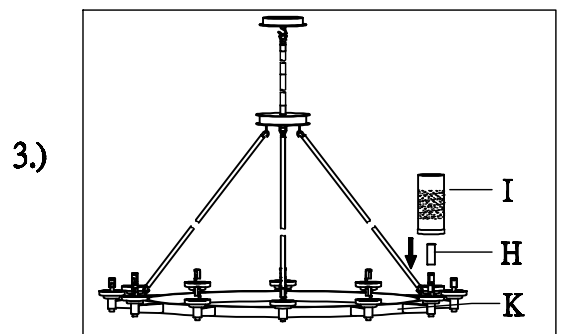
1.)

**Step1: Carefully remove packaging from fixture. Run wire through stems (E) and combine stem lengths to meet desired mounting height. Then attach canopy (C) to fixture.**



2.)

**Step2: Remove mounting bracket(A) from canopy. Install fixture to bracket and tighten ball nuts(D) on the canopy to secure.**



3.)

**Step3: Attached the Candle tube(H) and Glass(I) onto the Cup(K)**

**Cleaning & Care:**

Clean with soft cloth and a mild detergent. Do not use abrasive cleaner.