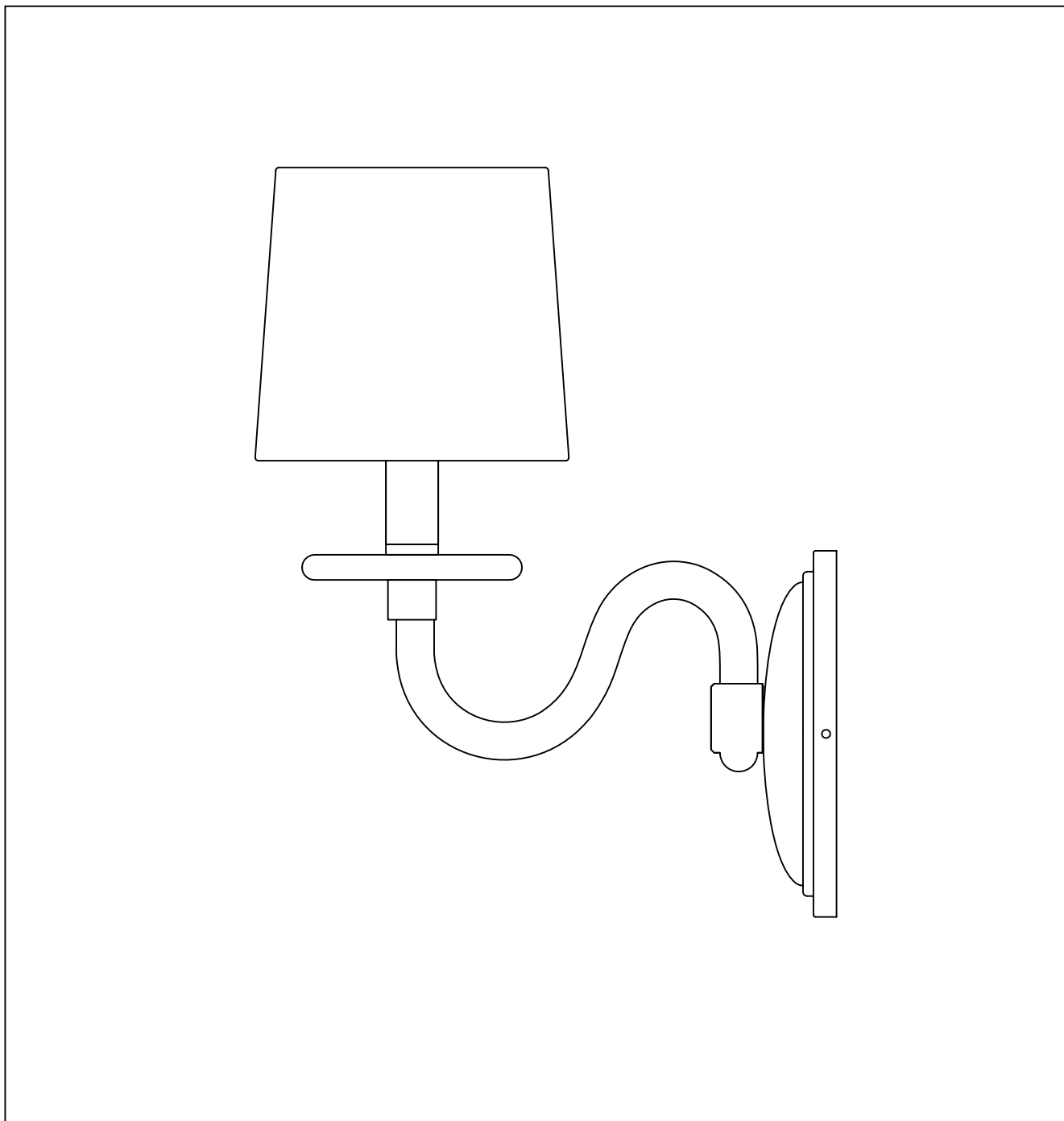




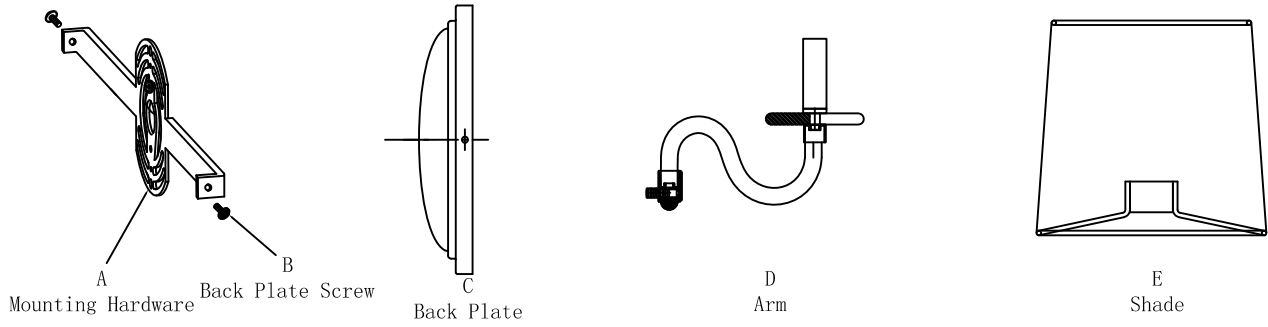
PRODUCT NAME: Venezia  
ITEM NUMBER: 27541CLPN

Please consult your electrician for hanging fixture and wiring.

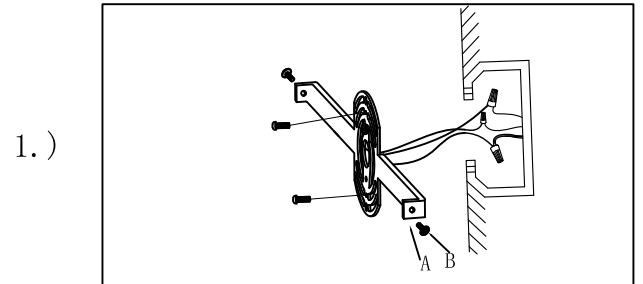
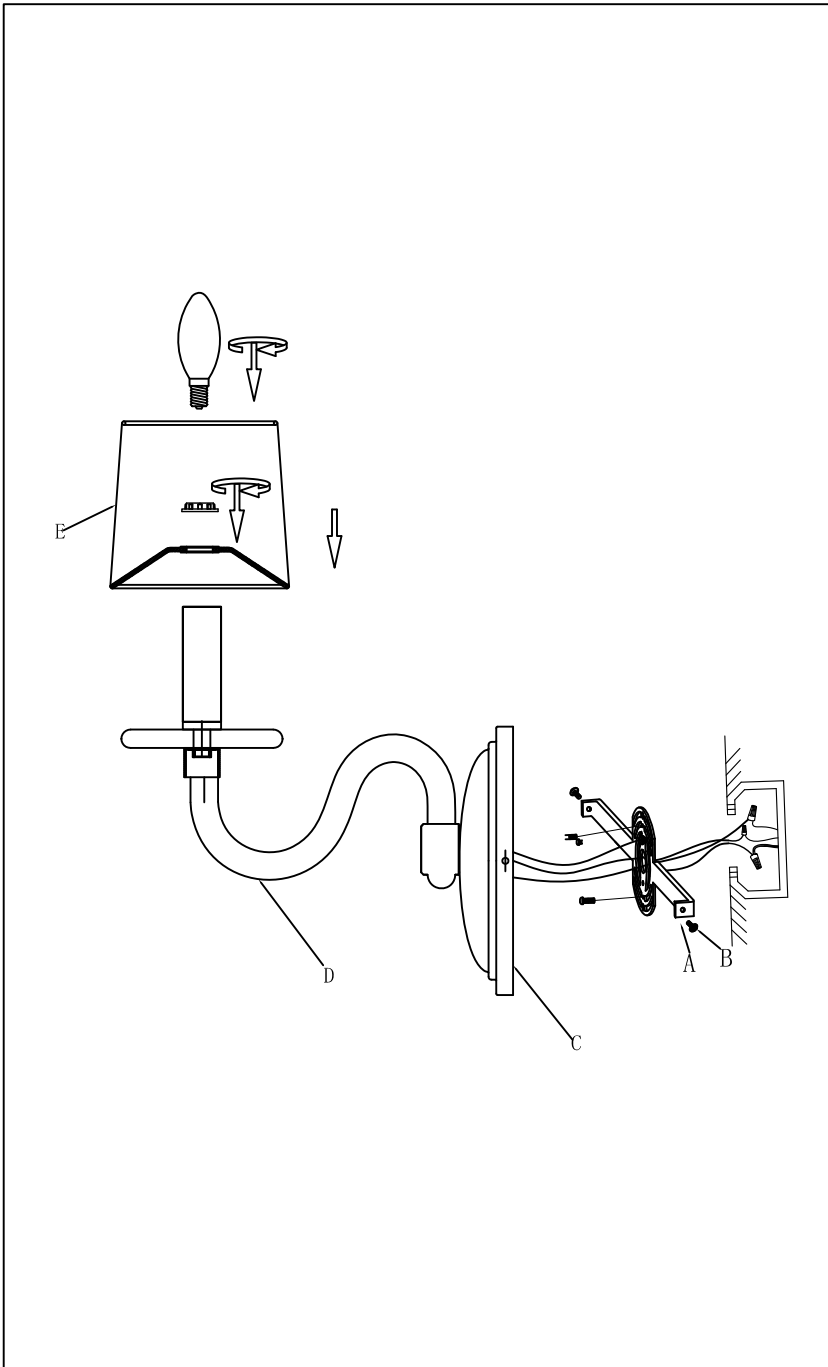


Bulb(not included): 1 x 40W E12 Candelabra Bulb

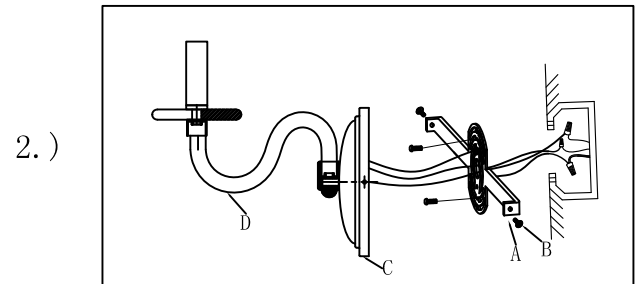
**IMPORTANT: Turn OFF the power at the main fuse or circuit breaker box before starting installation**



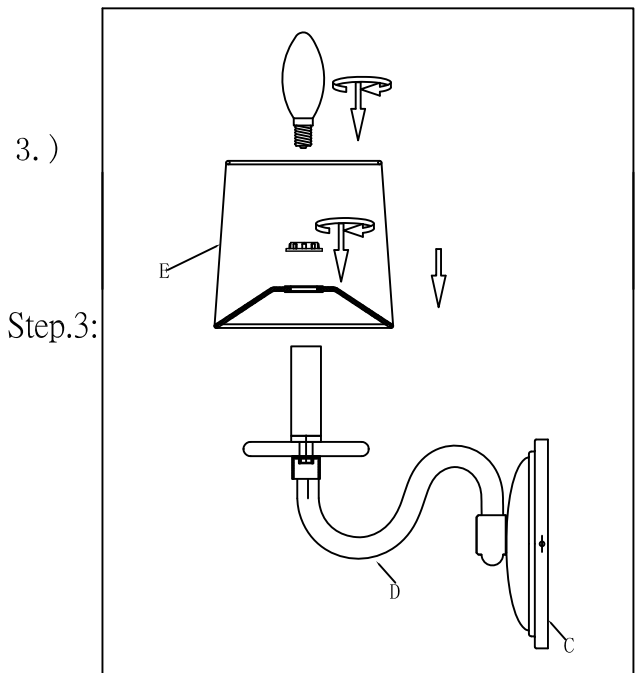
**Locate all hardware & components before discarding packaging**



Step.1: Remove mounting bracket (A) from back plate (C) and install to electrical box.



Step.2: Install fixture to mounting bracket (A) using back plate screws (B).



Step.3: Place shade (E) on candle cover and secure using screw ring provided. Then, install 40 Watt candelabra base bulb.

**Cleaning & Care:**

Clean with soft cloth and a mild detergent.  
Do not use abrasive cleaner.