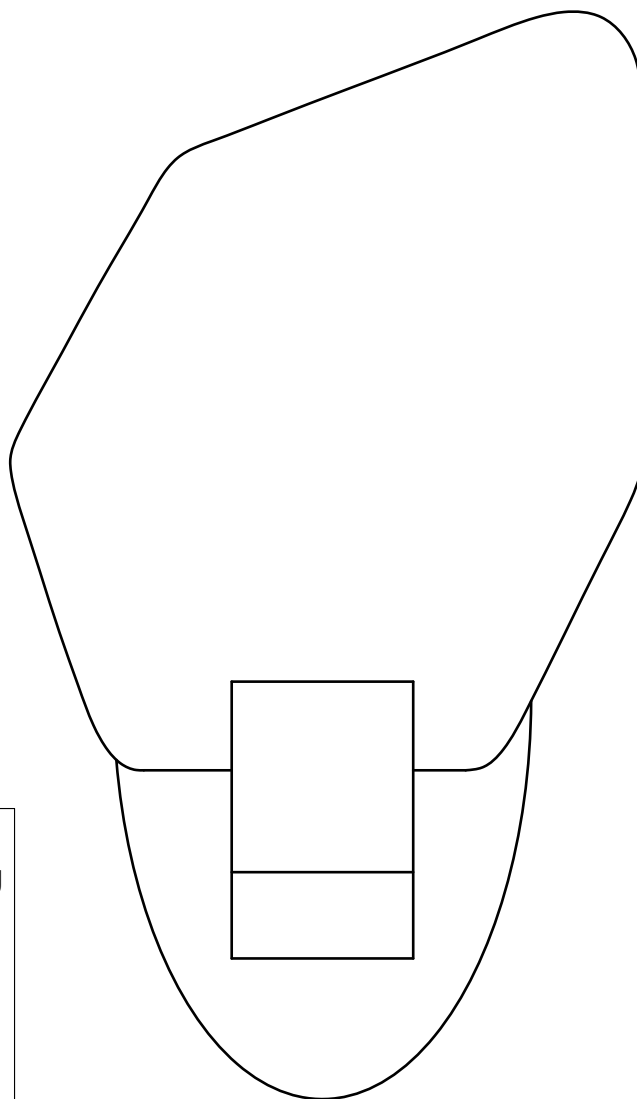




PRODUCT NAME: BOULDER

ITEM NUMBER: 30143BZGTGLD

Please consult your electrician for hanging fixture and wiring.



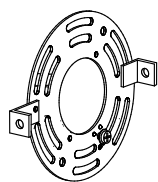
This fixture is designed to dim with an Electronic Low Voltage dimmer. Dimming levels will vary by dimmer. Below is a list of recommended dimmers:

- Lutron DVELV-330P
- Lutron MAELV-600M
- Lutron SAELV-153P
- Leviton IPL06-10Z
- Leviton 6674-POW
- Legrand Tru-Universal ADTP703TUW4

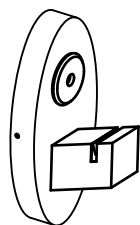
Due to inrush current wattage should not exceed 150 watts of product for a 600 watt dimmer.

LED 1X11W (Bulb included)

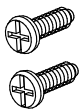
IMPORTANT: Turn off the power at the main fuse or circuit breaker box before starting installation.



Mounting Strap (A)



Body (B)

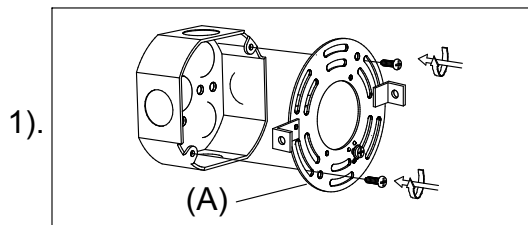
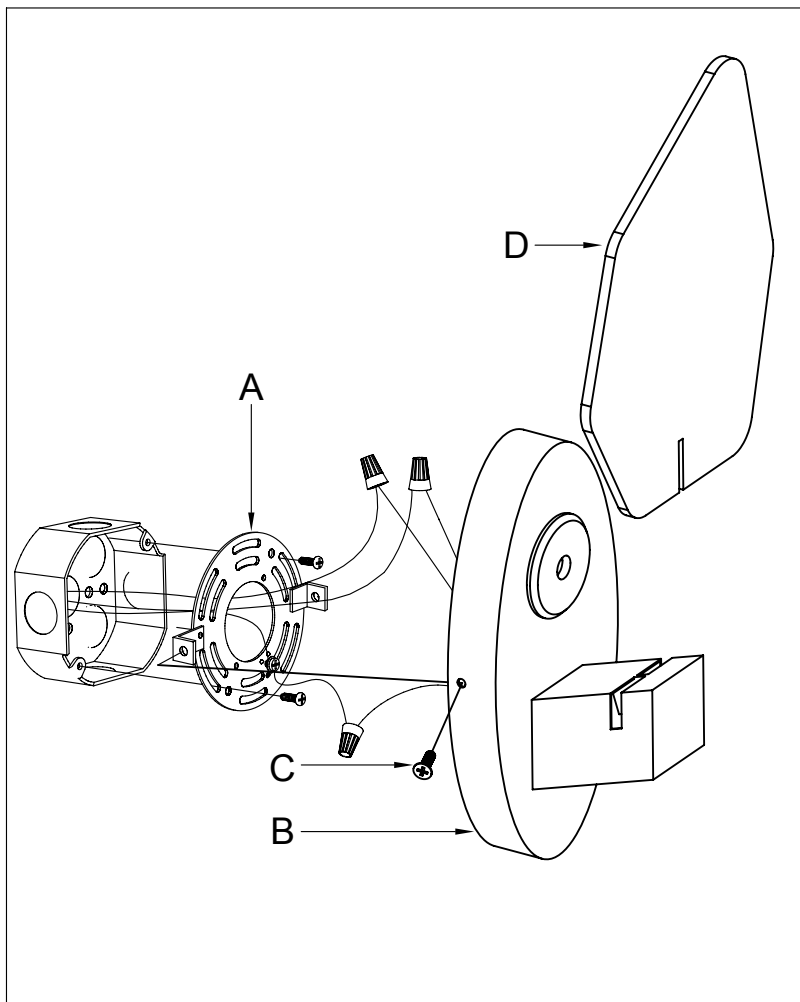


Screw (C)



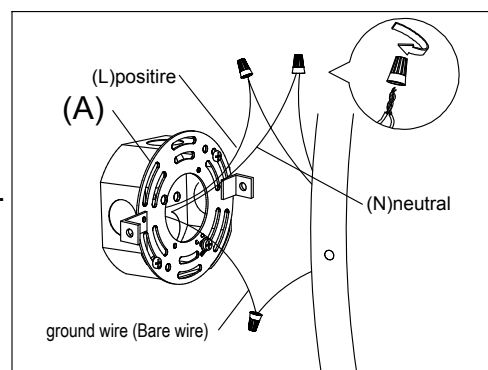
Faux Alabaster shade (D)

Locate all hardware & components before discarding packaging



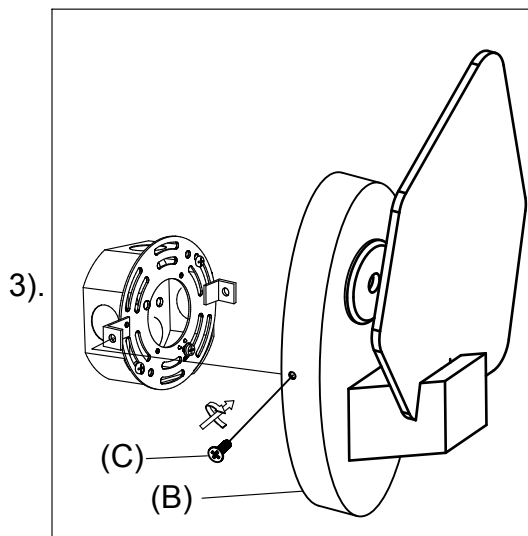
1).

Step.1: Remove mounting Strap (A) from fixture and install to electrical box.



2).

Step.2: Wire fixture to wires in outlet box. Bare wire is for Ground.



3).

Step.3: Install body (B) to the outlet box and secure with screw(C), put the faux alabaster shade (D) into the lamp body.

Cleaning & Care:

Clean with soft cloth and a mild detergent.
Do not use abrasive cleaner.