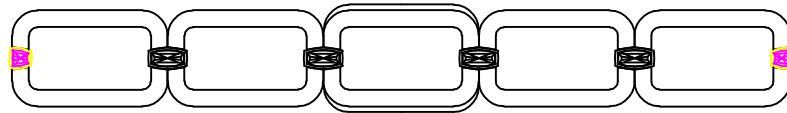




PRODUCT NAME: Kartier LED vanity
ITEM NUMBER: 30161/30163/30165

Please consult your electrician for hanging fixture and wiring.



The fixture is designed to dim with a standard Triac forward phase dimmer. Dimming levels will vary by dimmer.

Below is a list of recommended dimmers:

Lutron MACL-153M

Lutron DVL-153P

Lutron SCL-153P

Leviton IPL06-10Z

Leviton 6674-POW

Due to inrush current, wattage should not exceed 150 Watts of product for a 600W dimmer.

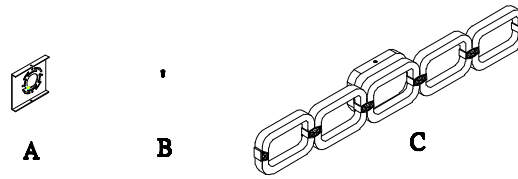
WARNING: Wires need to be connected to driver found in canopy and should not be connected directly to power source or a short may occur.

Bulb(LED included): 7.2 Watt Candelabra Base Bulbs

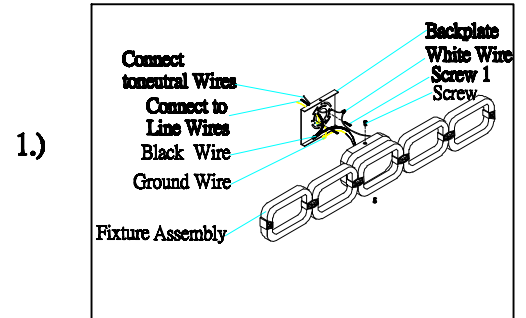
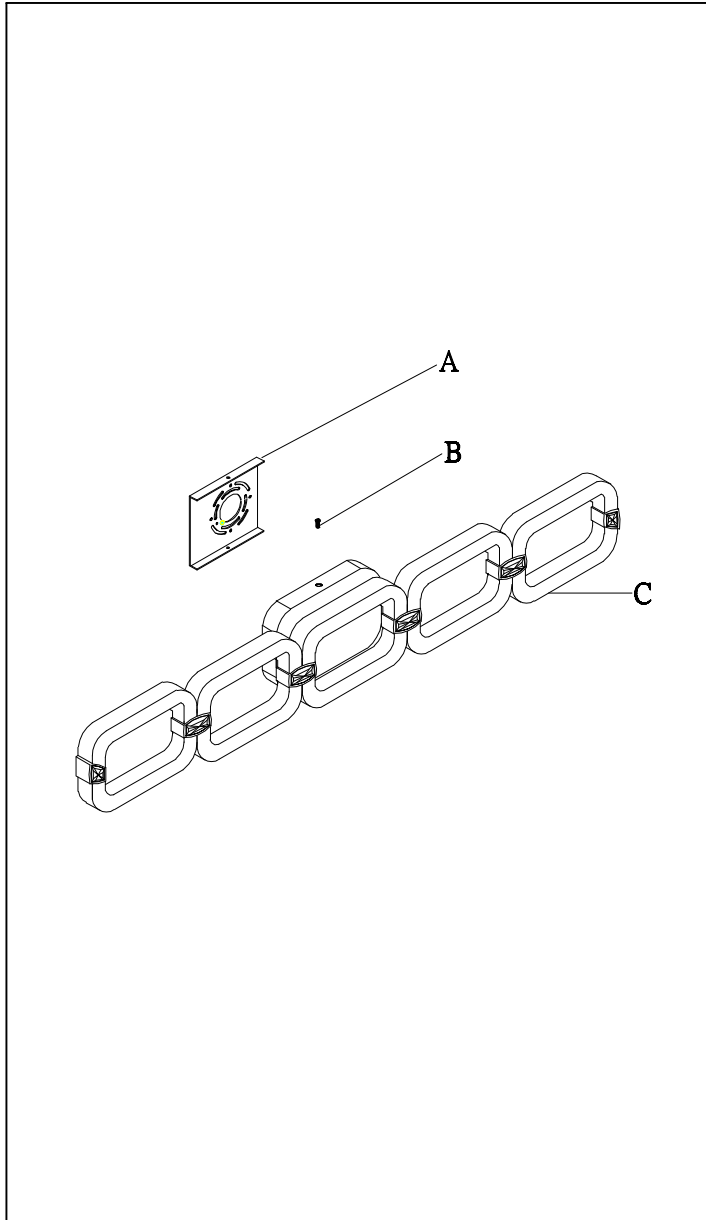
**PRODUCTS ARE NOT INTENDED
FOR COMMERCIAL USE.**

MADE IN CHINA
Page 1 of (2)

IMPORTANT: Turn off the power at the main fuse or circuit breaker box before starting installation



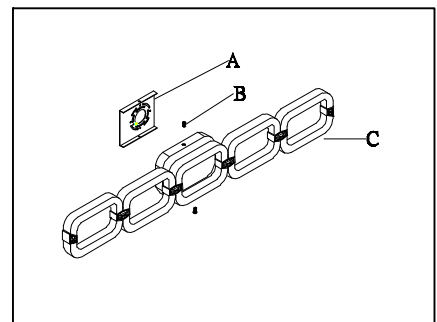
Locate all hardware & components before discarding packaging



1.)

Step.1: Remove mounting bracket (A) from fixture (C) and install it to electrical box. Wire fixture to wires in outlet box. Black is live, White is Neutral. Copper wire is for ground.

2.)



Step.2: Install fixture to back-plate and tighten screws (B) so that fixture meets the wall.

Cleaning & Care:

Clean with soft cloth and a mild detergent.
Do not use abrasive cleaner.