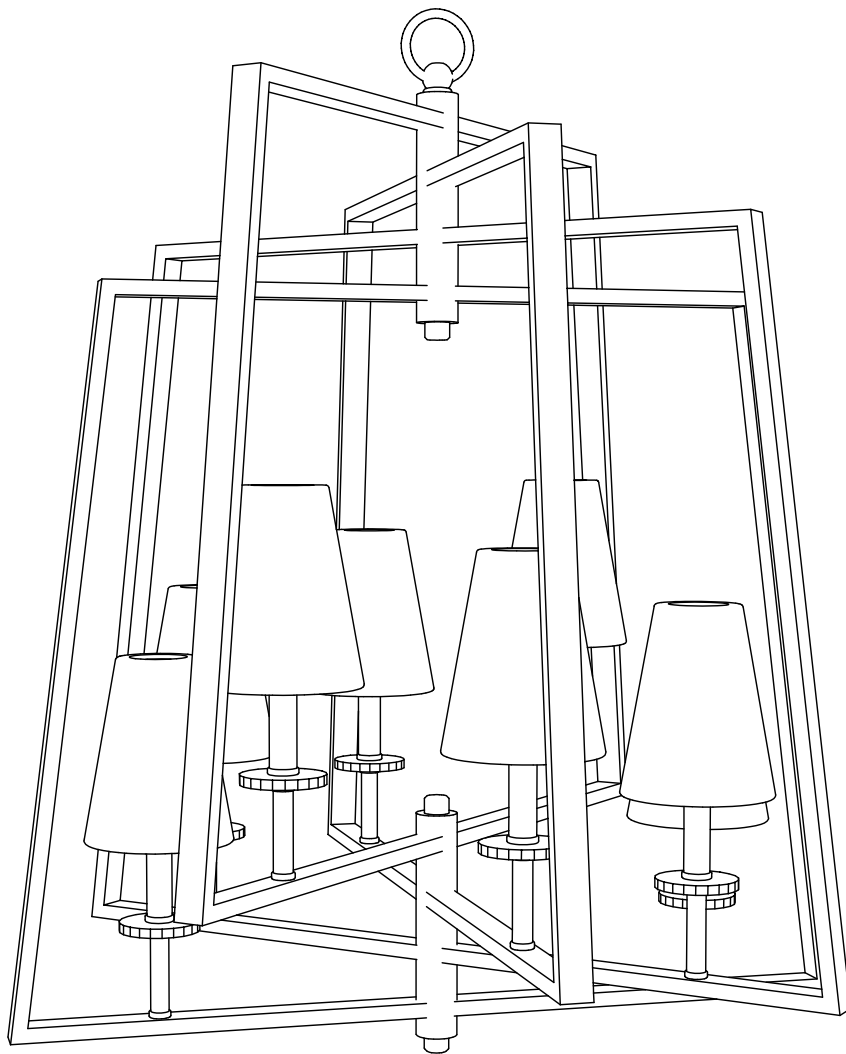




PRODUCT NAME: SWING

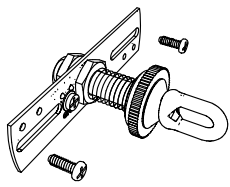
ITEM NUMBER: 30255WTPD

Please consult your electrician for hanging fixture and wiring.

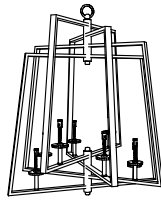


E12 8X60W

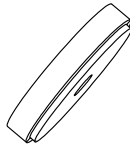
IMPORTANT: Turn off the power at the main fuse or circuit breaker box before starting installation.



Mounting Strap (A)



Body (B)



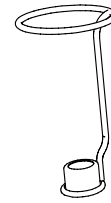
Canopy (C)



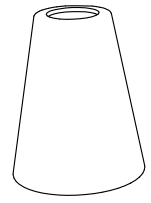
Chain (D)



Candel Tube (E)

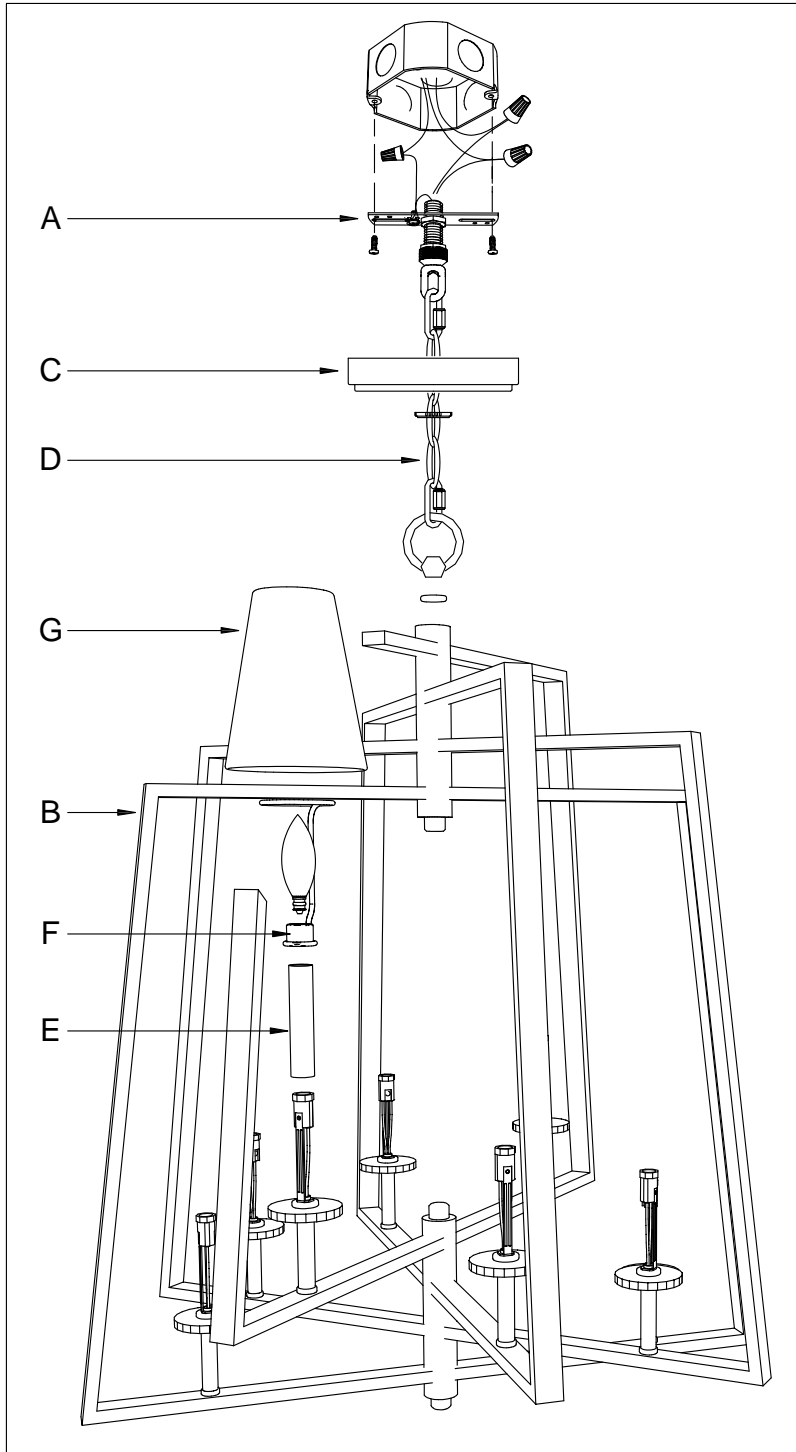


Harp (F)

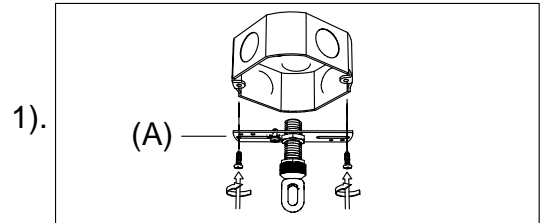


Shade (G)

Locate all hardware & components before discarding packaging

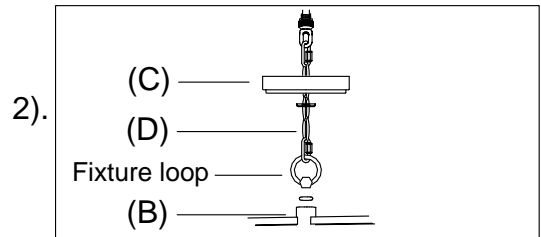


Cleaning & Care:
Clean with soft cloth and a mild detergent.
Do not use abrasive cleaner.



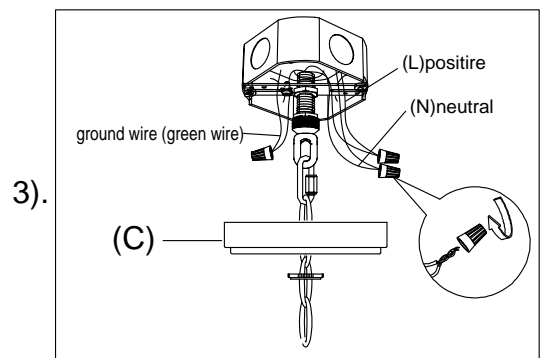
1).

Step.1: Remove mounting bracket (A) from fixture and install to electrical box.



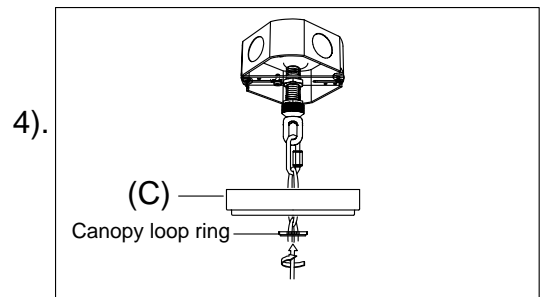
2).

Step.2: Install fixture loop. Connect chain (D) to fixture loop and canopy loop with key link. Thread fixture wire through the chain (D) into outlet box.



3).

Step.3: Wire fixture to wires in outlet box. Green wire is for Ground.



4).

Step.4: Raise Canopy (C) to ceiling and secure with canopy loop ring. Place the Candle Tube (E) over the socket and place Harp (F) on the tube. Install light bulb. Place glass Shade (G) on the harp.