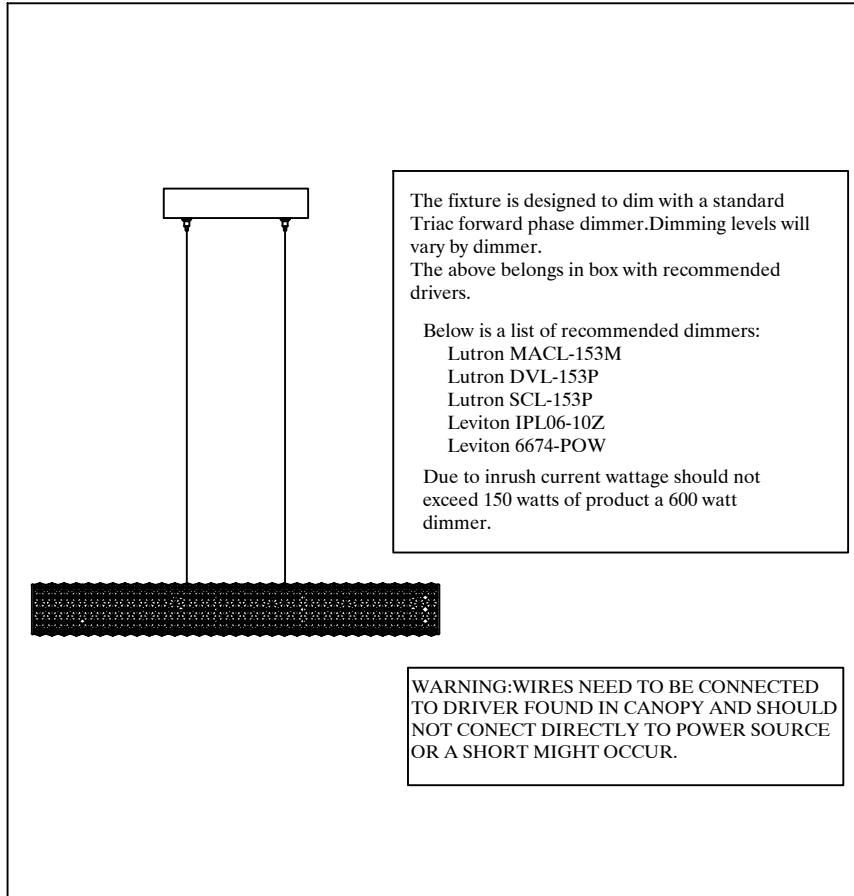




PRODUCT NAME: Meteor
ITEM NUMBER: 32508BCPC

Please consult your electrician for hanging fixture and wiring.



The fixture is designed to dim with a standard Triac forward phase dimmer. Dimming levels will vary by dimmer. The above belongs in box with recommended drivers.

Below is a list of recommended dimmers:
Lutron MACL-153M
Lutron DVL-153P
Lutron SCL-153P
Leviton IPL06-10Z
Leviton 6674-POW

Due to inrush current wattage should not exceed 150 watts of product a 600 watt dimmer.

WARNING: WIRES NEED TO BE CONNECTED TO DRIVER FOUND IN CANOPY AND SHOULD NOT CONECT DIRECTLY TO POWER SOURCE OR A SHORT MIGHT OCCUR.

20W LED

PRODUCTS ARE NOT INENDED FOR COMMERCIAL USE.

MADE IN CHINA
Page 1 of (2)

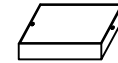
IMPORTANT: Turn off the power at the main fuse or circuit breaker box before starting installation



(A)
Mounting Bracket

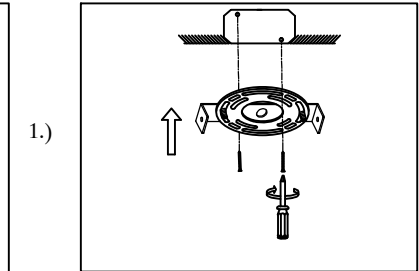
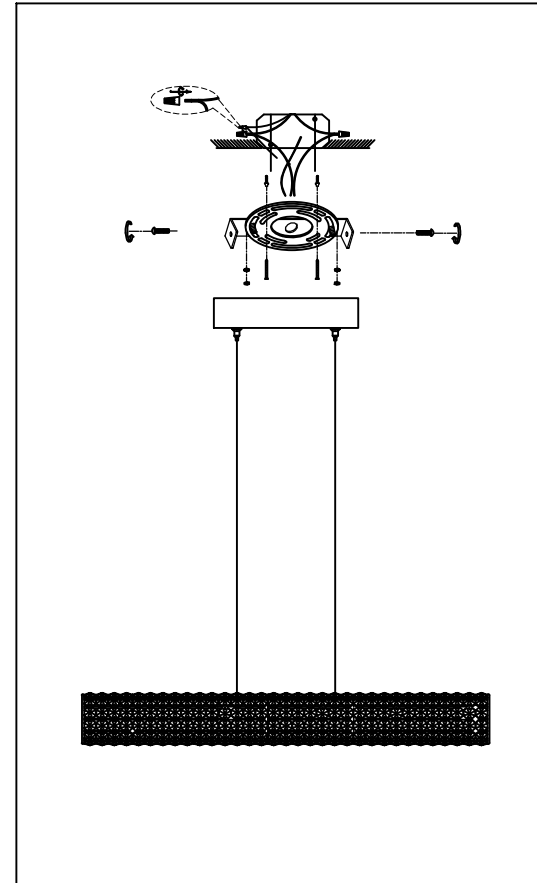


(B)
Fixing screws

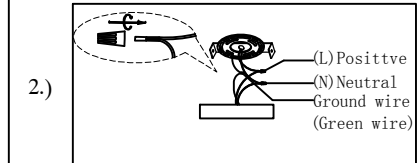


(C)
Canopy

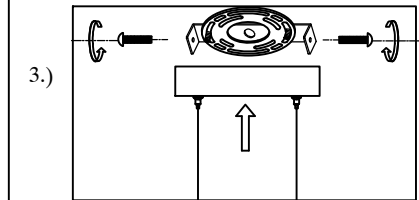
Locate all hardware & components before discarding packaging



1.) Step.1: Remove mounting bracket (A) from fixture and install to electrical box.



2.) Step.2: Wire fixture to wires in outlet box. Install green wire is for Ground.



3.) Step.3: Secure the screws (B) onto the mounting bracket(A), until the canopy(C) is flushing with the ceiling. Adjust wire to desired mounting height.

Cleaning & Care:
Clean with soft cloth and a mild detergent.
Do not use abrasive cleaner.