

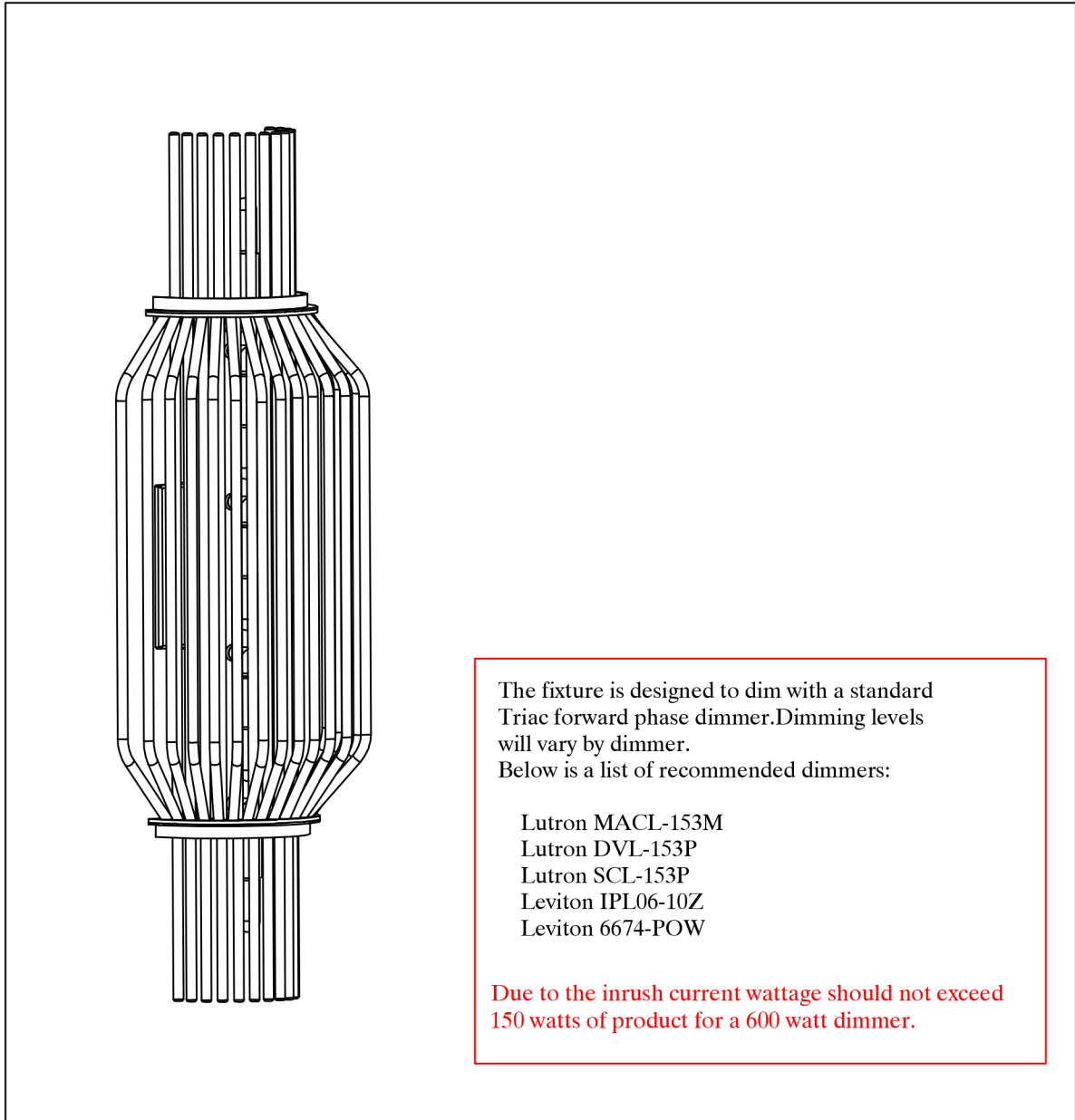


L I G H T I N G

PRODUCT NAME: Aviary Wall Sconce

ITEM NUMBER: 38482CGOI

Please consult your electrician for hanging fixture and wiring.



The fixture is designed to dim with a standard Triac forward phase dimmer. Dimming levels will vary by dimmer.

Below is a list of recommended dimmers:

- Lutron MACL-153M
- Lutron DVL-153P
- Lutron SCL-153P
- Leviton IPL06-10Z
- Leviton 6674-POW

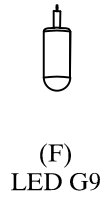
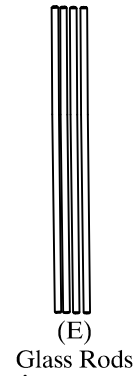
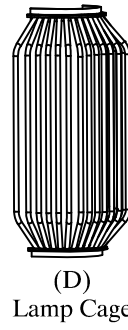
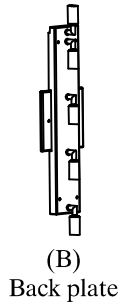
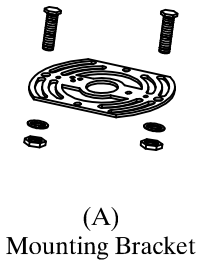
Due to the inrush current wattage should not exceed 150 watts of product for a 600 watt dimmer.

5 x G9 LED Max 2.9W

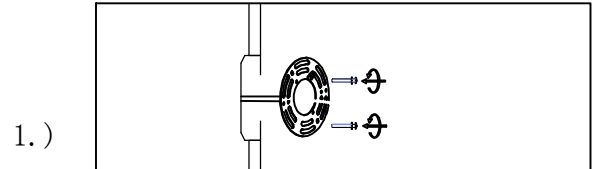
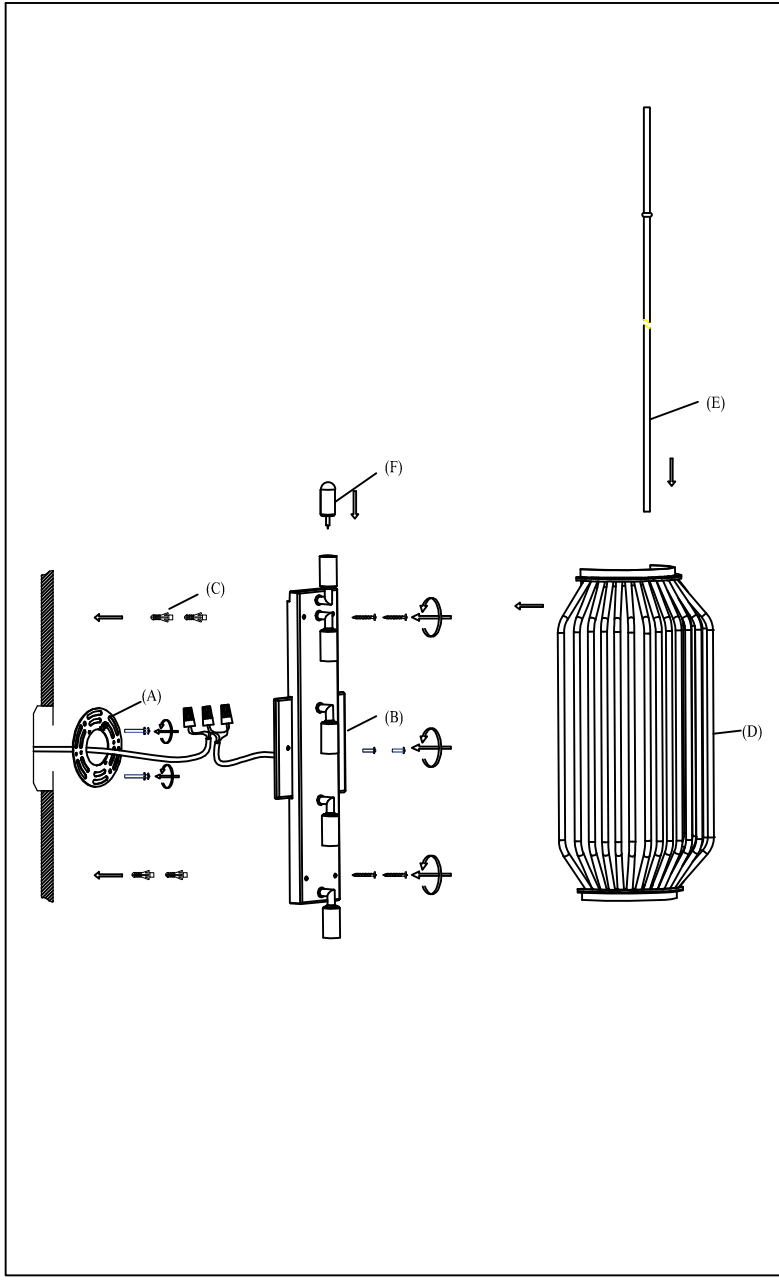
PRODUCTS ARE NOT INTENDED
FOR COMMERCIAL USE.

MADE IN CHINA
Page 1 of (2)

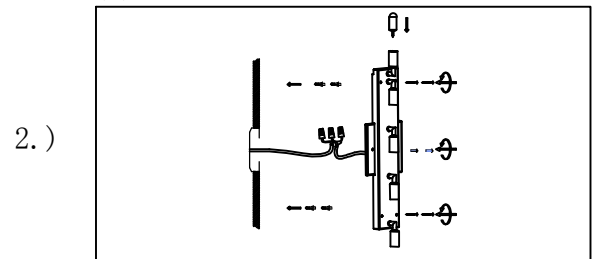
IMPORTANT: Turn OFF the power at the main fuse or circuit breaker box before starting installation



Locate all hardware & components before discarding packaging

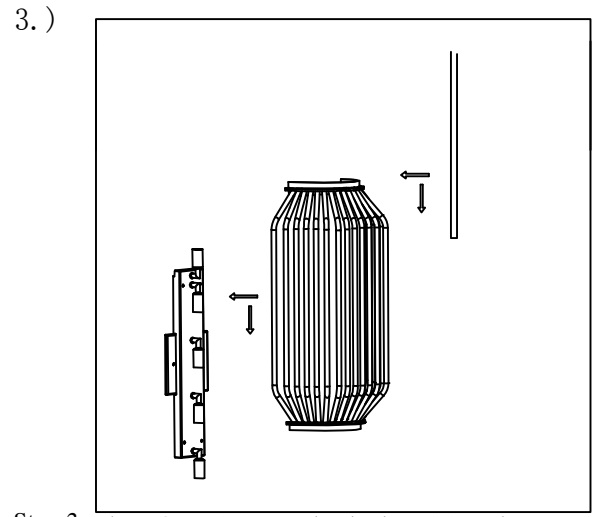


Step.1: Remove Mounting Bracket (A) from Back Plate (B) and install to electrical box.



Step.2: Wire fixture to wires in outlet box. Copper wire is for Ground.

Secure Back Plate (B) to wall using Anchors (C) and screws that attach to Mounting Bracket (A). Install G9 LED Bulb (F) provided.



Step.3: Place Cage (D) onto back plate (B) and screw to secure.

Run Glass Rods (E) through openings on Cage (D). Rubber stopper may be adjusted if need be.

Cleaning & Care:

Clean with soft cloth and a mild detergent.
Do not use abrasive cleaner.