

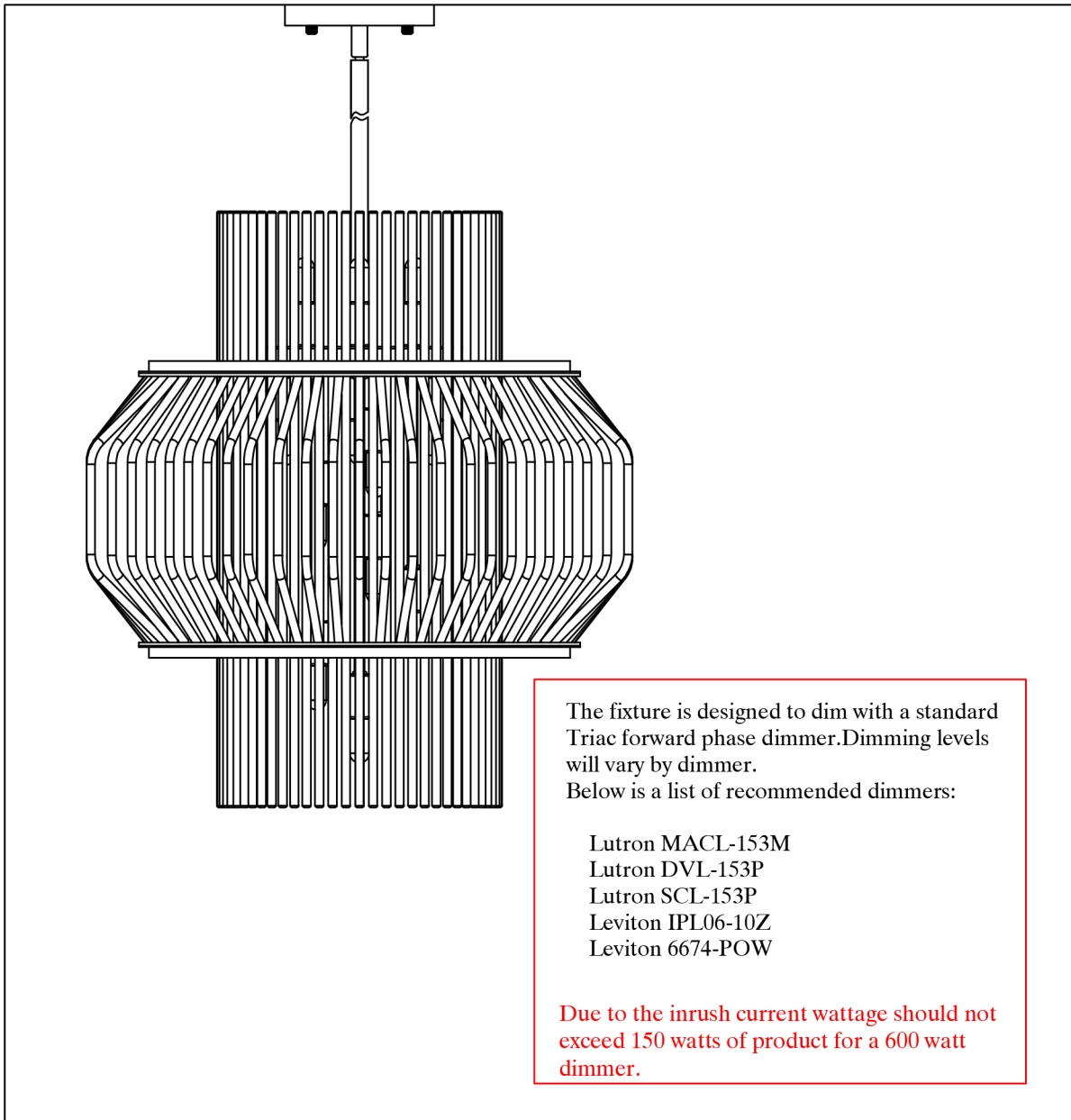


L I G H T I N G

PRODUCT NAME: Aviary

ITEM NUMBER: 38486CGOI

Please consult your electrician for hanging fixture and wiring.



The fixture is designed to dim with a standard Triac forward phase dimmer. Dimming levels will vary by dimmer.

Below is a list of recommended dimmers:

- Lutron MACL-153M
- Lutron DVL-153P
- Lutron SCL-153P
- Leviton IPL06-10Z
- Leviton 6674-POW

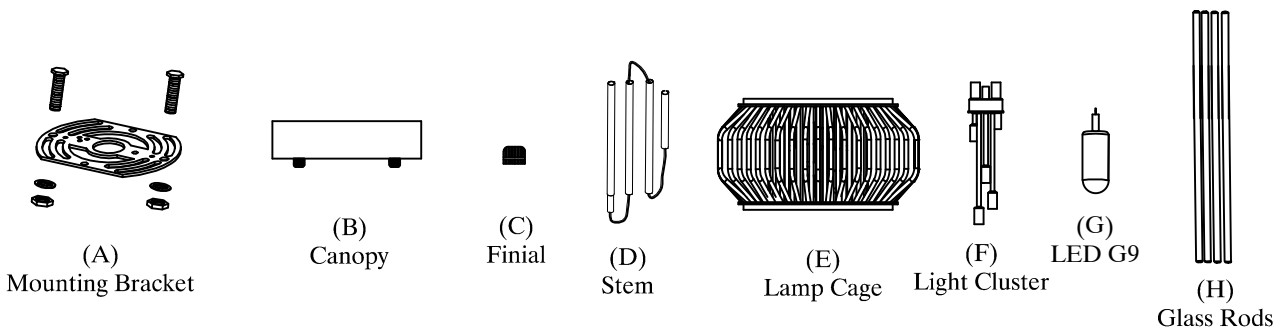
Due to the inrush current wattage should not exceed 150 watts of product for a 600 watt dimmer.

12 x G9 LED Max.2.9W

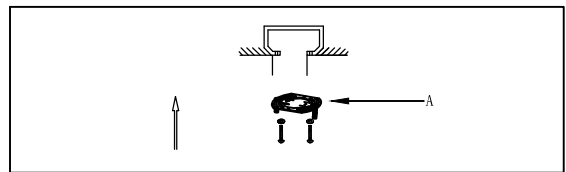
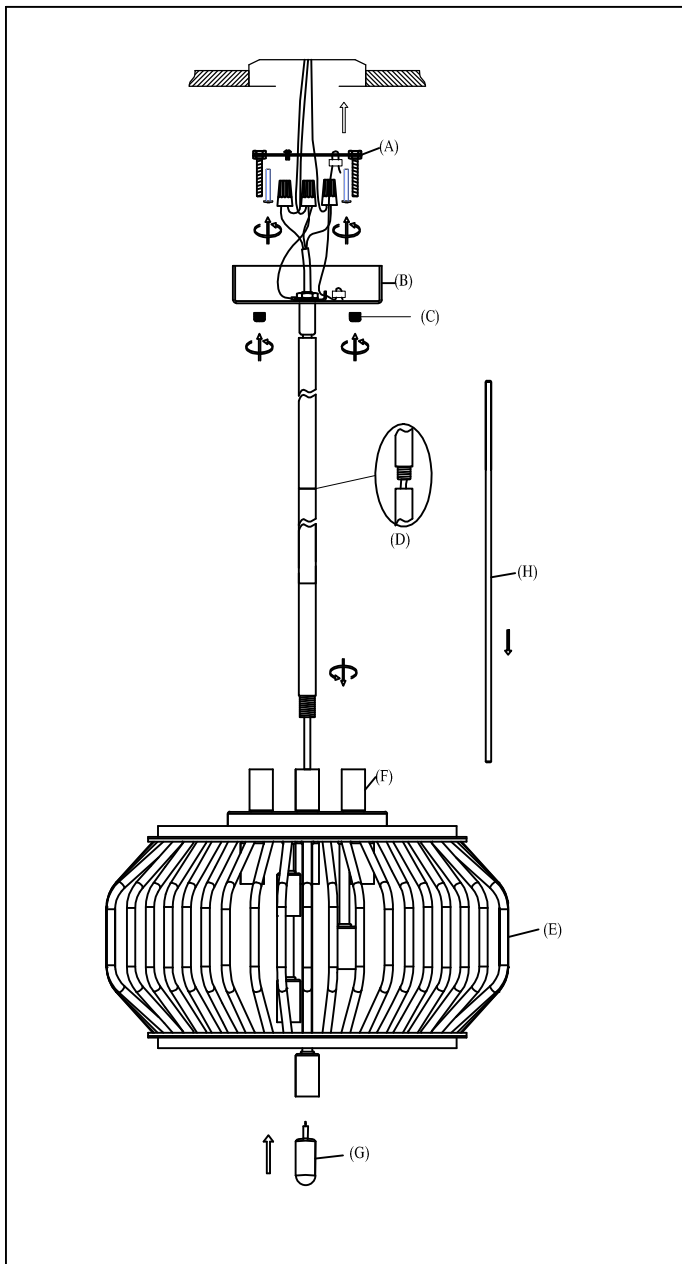
PRODUCTS ARE NOT INTENDED
FOR COMMERCIAL USE.

MADE IN CHINA
Page 1 of (2)

IMPORTANT: Turn OFF the power at the main fuse or circuit breaker box before starting installation

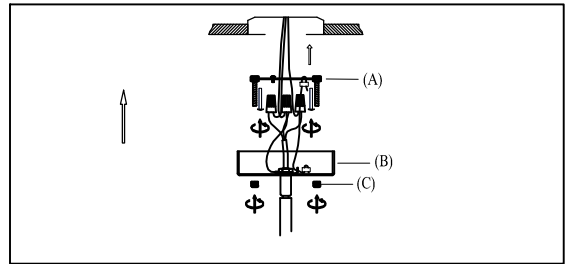


Locate all hardware & components before discarding packaging



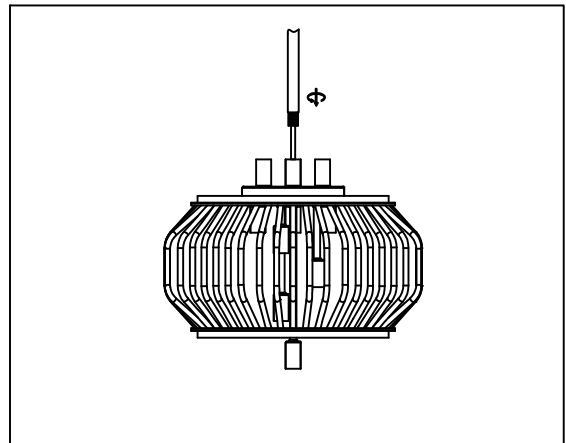
1.)

Step.1: Remove mounting bracket (A) from Canopy (B) and install to electrical box.



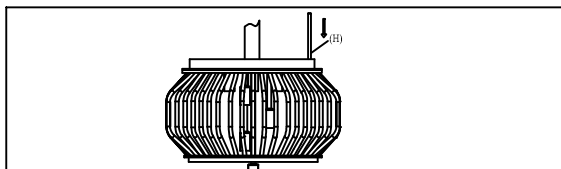
2.)

Step.2: Run wire through stems and combine stem lengths to meet desired mounting height. Wire fixture to wires in outlet box. Copper wire is for Ground. Make sure wire is connected to driver before connecting to outlet box. Secure fixture to ceiling using finials (C).



3.)

Step.3: Run Stem (D) through Cage (E) and attach Light Cluster (F) to Stem (D). Install G9 LED bulb (G) provided, and carefully lower the cage (E) back over Lamp Cluster (F).



4.)

Step.4: Carefully run Glass Rods (H) through openings in cage (E). Rubber stopper can be adjusted if need be.

Cleaning & Care:

Clean with soft cloth and a mild detergent.
Do not use abrasive cleaner.