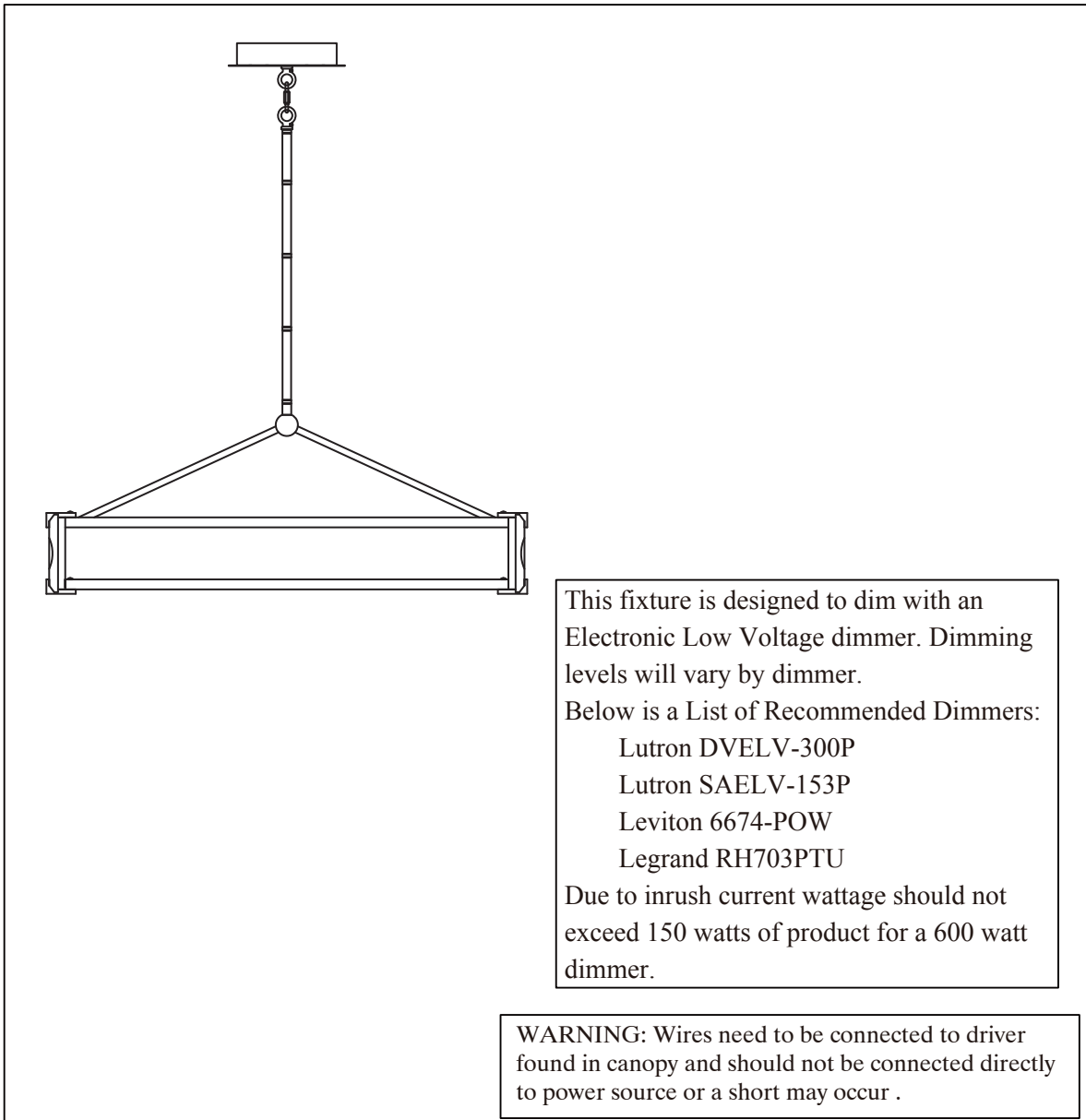




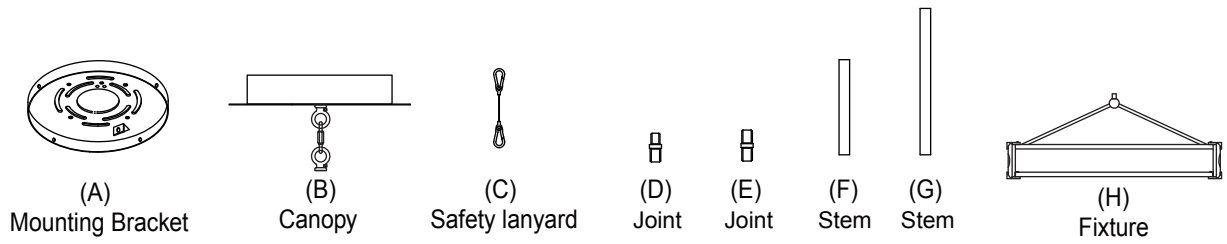
PRODUCT NAME: Radiant 9-Light LED Chandelier
ITEM NUMBER: 39535CYBKGL

Please consult your electrician for hanging fixture and wiring.

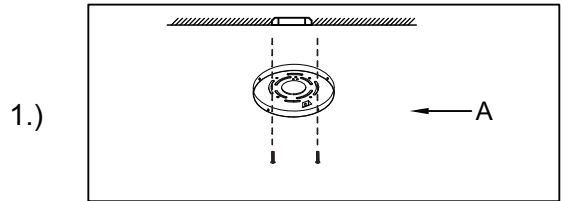
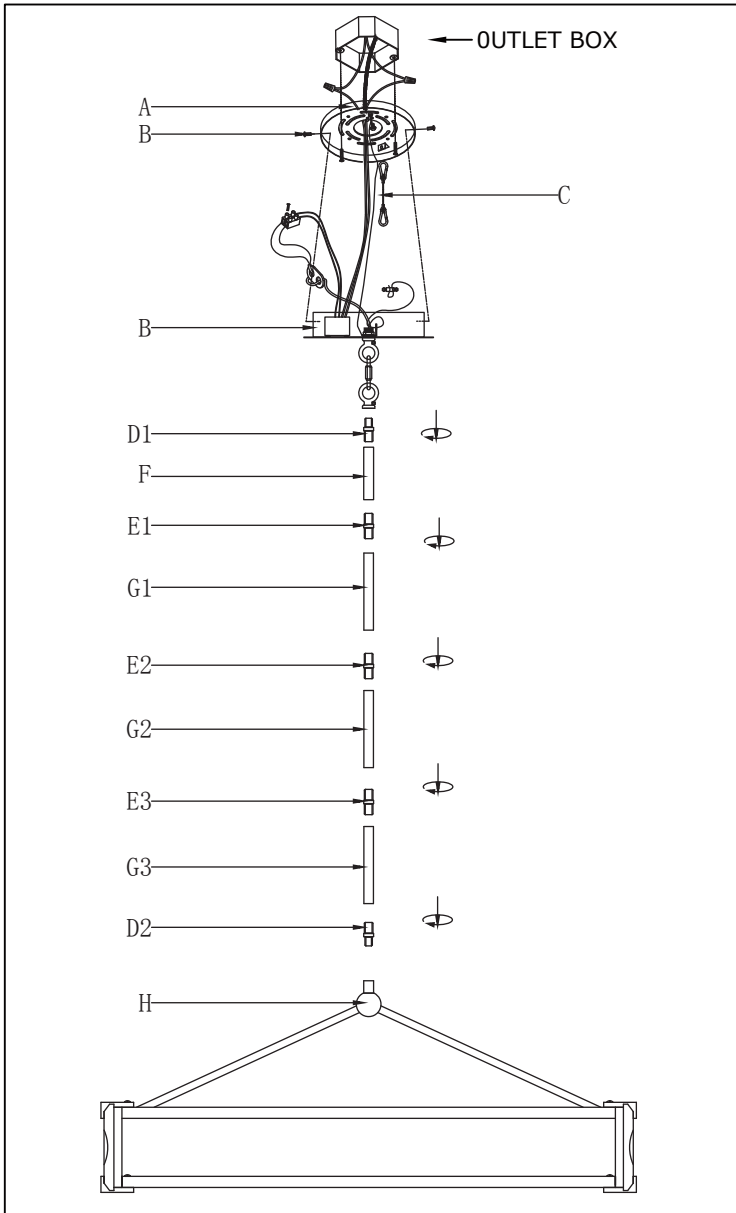


Bulbs (Integrated): LED 50.5W

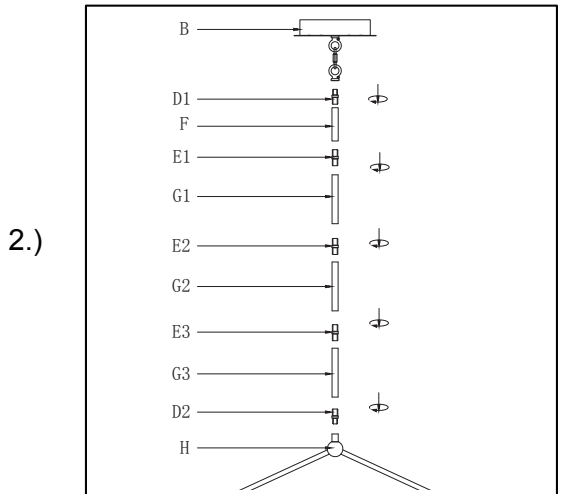
IMPORTANT: Turn off the power at the main fuse or circuit breaker box before starting installation



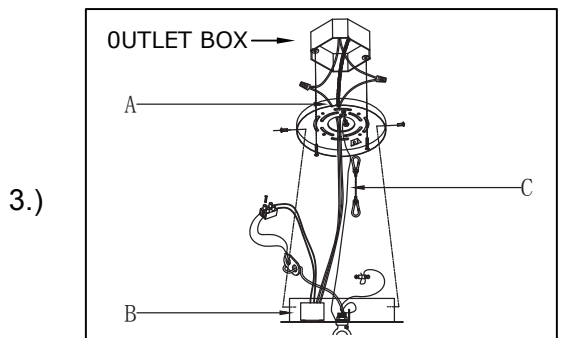
Locate all hardware & components before discarding packaging



Step.1: Remove Mounting Bracket (A) from Canopy(B) and to install to electrical box.



Step.2: Run wire through stems and combine stem lengths to meet desired mounting height.



Step.3: Connect safety lanyard(C) to Mounting Bracket(A). Wire fixture to wires in outlet box. Green wire is for Ground. Install fixture to bracket and tighten screws at the ends of the canopy to secure.

Cleaning & Care:
Clean with soft cloth and a mild detergent.
Do not use abrasive cleaner.