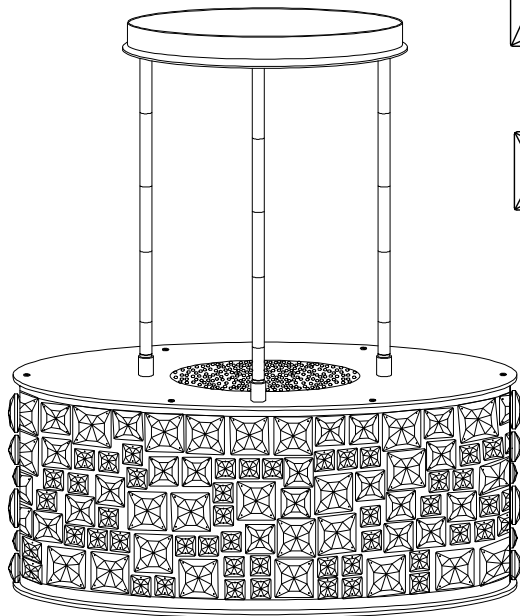


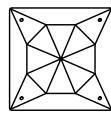


PRODUCT NAME: Fifth Avenue, 6lt pendant  
ITEM NUMBER: 39795JCLB

Please consult your electrician for hanging fixture and wiring.



1.65"W\*1.65"W\*0.83"H



CSQ39791AM-A 23pcs

CSQ39791CLSV-A 18pcs

CSQ39791CL-A 14pcs

1.26"W\*1.26"W\*0.67"H



CSQ39791AM-B 17pcs

CSQ39791CLSV-B 15PCS

CSQ39791CL-B 16PCS

0.87"W\*0.87"W\*0.24"H



CSQ39791AM-C 37PCS

CSQ39791CLSV-C 40PCS

CSQ39791CL-C 41PCS

0.71"W\*0.71"W\*0.4"H



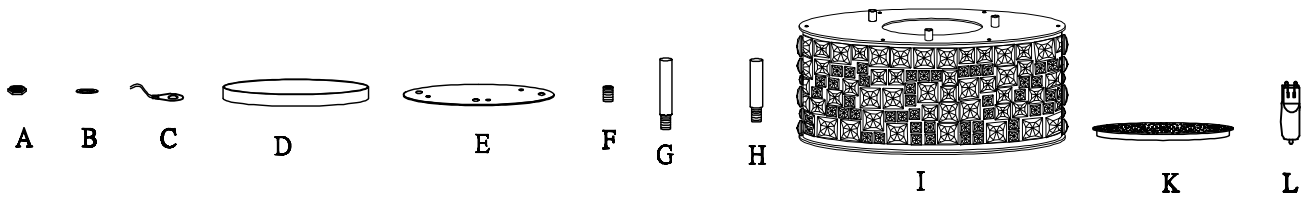
CSQ39795CL-A 6PCS

CSQ39795AM-A 6PCS

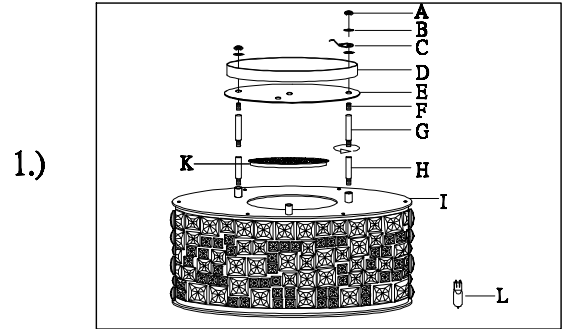
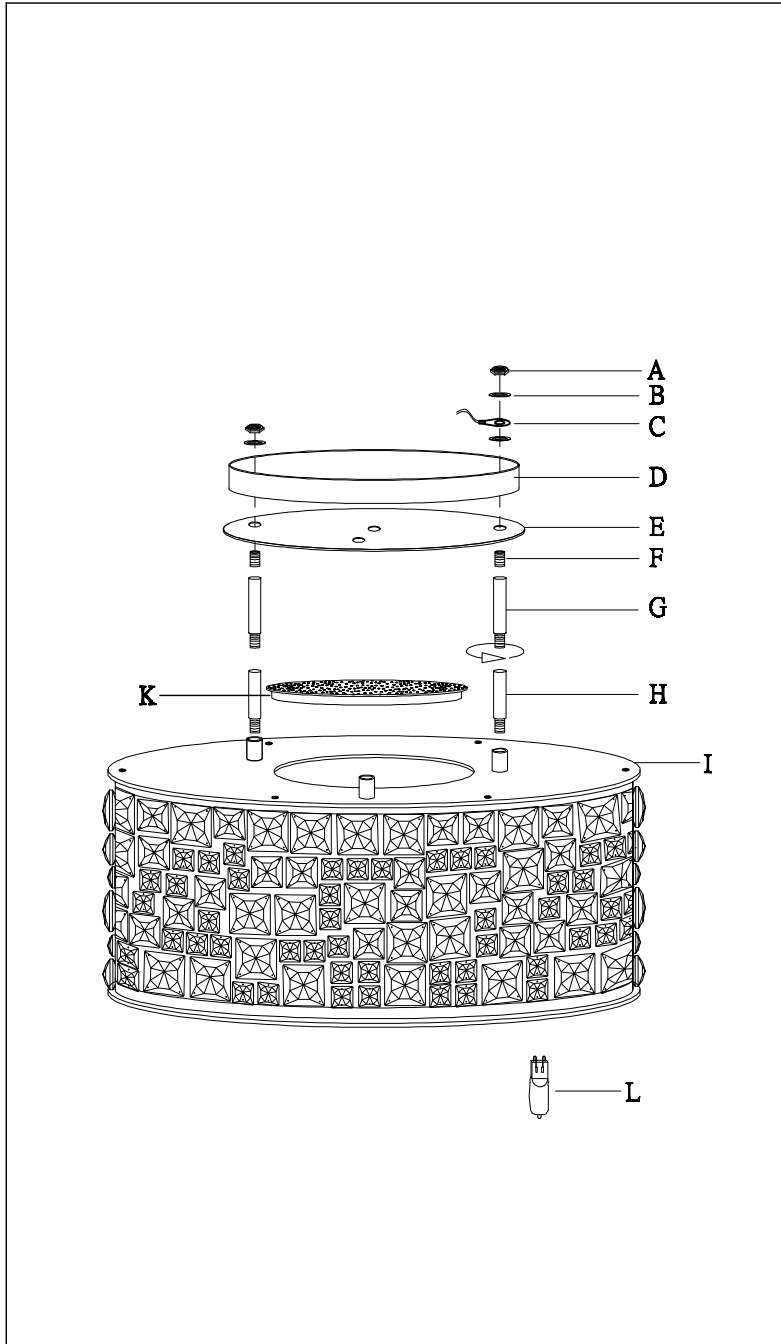
**WARNING: Xenon bulbs get very hot and may burn you. Always make sure bulbs are off for a minimum of 10 minutes before handling. Fixture may be dimmed using an electronic low voltage dimmer.**

Bulb(included): 6-40W G9 bulbs

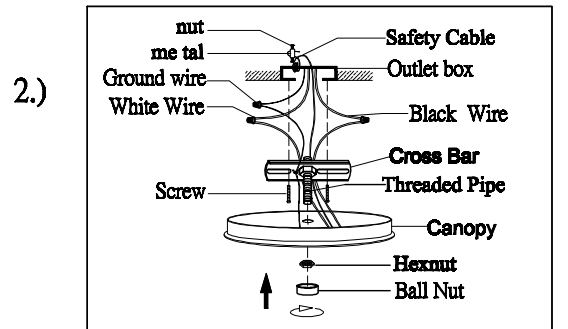
**IMPORTANT: Turn off the power at the main fuse or circuit breaker box before starting installation**



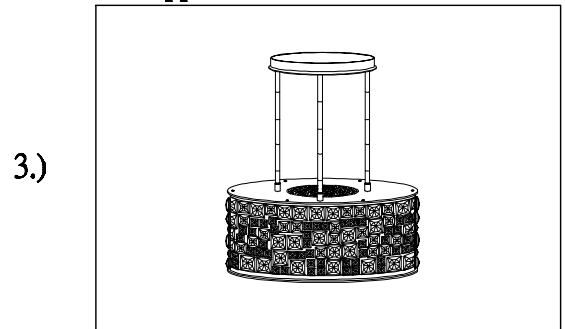
**Locate all hardware & components before discarding packaging**



**1.) Step.1: Run wire through stems (G&H) as you attach the body (I). Combine stem lengths to meet desired mounting height. Install G9 bulbs (L),**



**2.) Step.2: Remove mounting bracket from fixture and install to electrical box. Wire fixture to wires in outlet box. Copper wire is for Ground. On wire side**



**3.) Step.3: Install fixture to bracket and tighten screws at the ends of the canopy (D) to secure.**

**Cleaning & Care:**

Clean with soft cloth and a mild detergent.  
Do not use abrasive cleaner.