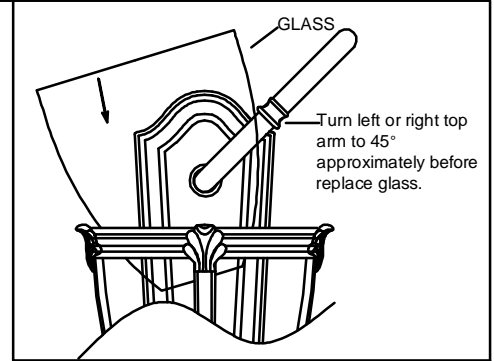
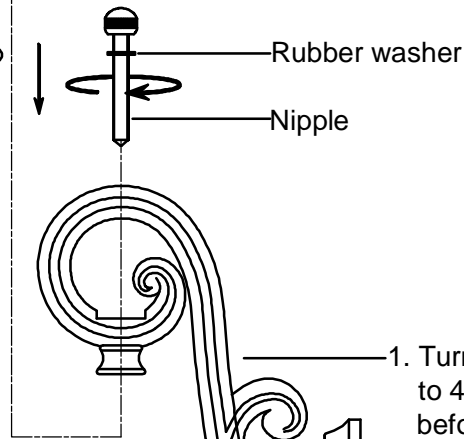
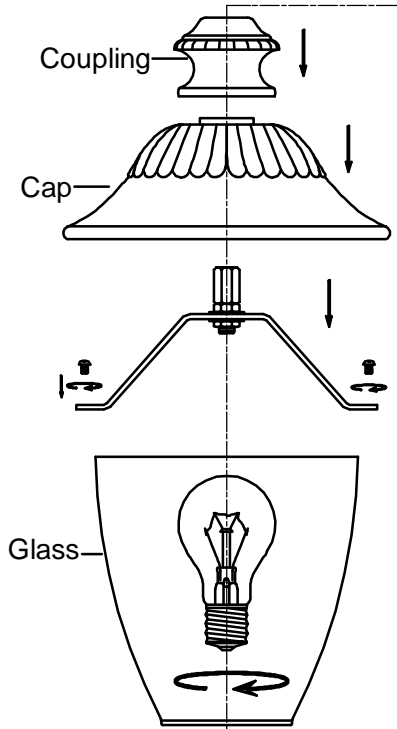




Assembly Instruction For Replace Glass 40287WGET



1. Turn left or right top arm to 45° approximately before replace glass.
2. Turn back top arm .
3. Place cap and coupling through tubing ,then secure them by nipple.

