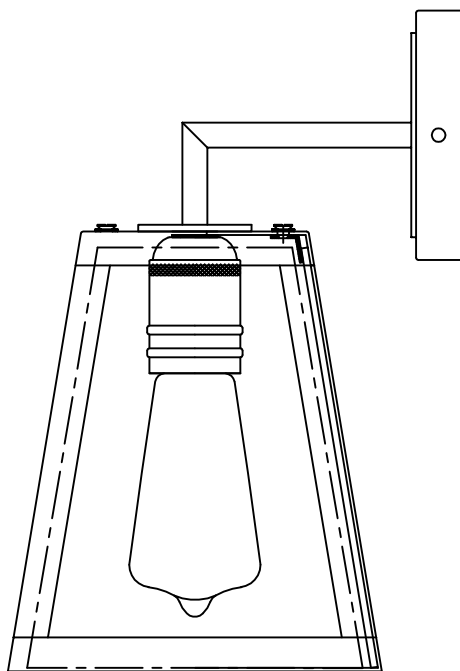




PRODUCT NAME: Pasadena
ITEM NUMBER: 4060

Please consult your electrician for hanging fixture and wiring.



CAUTION: To prevent water intrusion, caulk around back-plate where fixture meets the wall using outdoor silicone sealant. Leave a small gap at the bottom to allow moisture to exit.

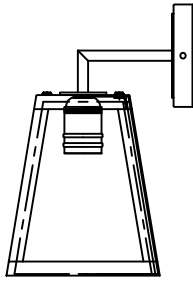
Bulb(not included):1 Edison-style bulb recommended

PRODUCTS ARE NOT INENDED
FOR COMMERCIAL USE.

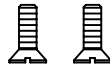
MADE IN CHINA

Page 1 of (3)

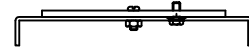
IMPORTANT: Turn off power at the main fuse or circuit breaker box before starting installation



(A) Body

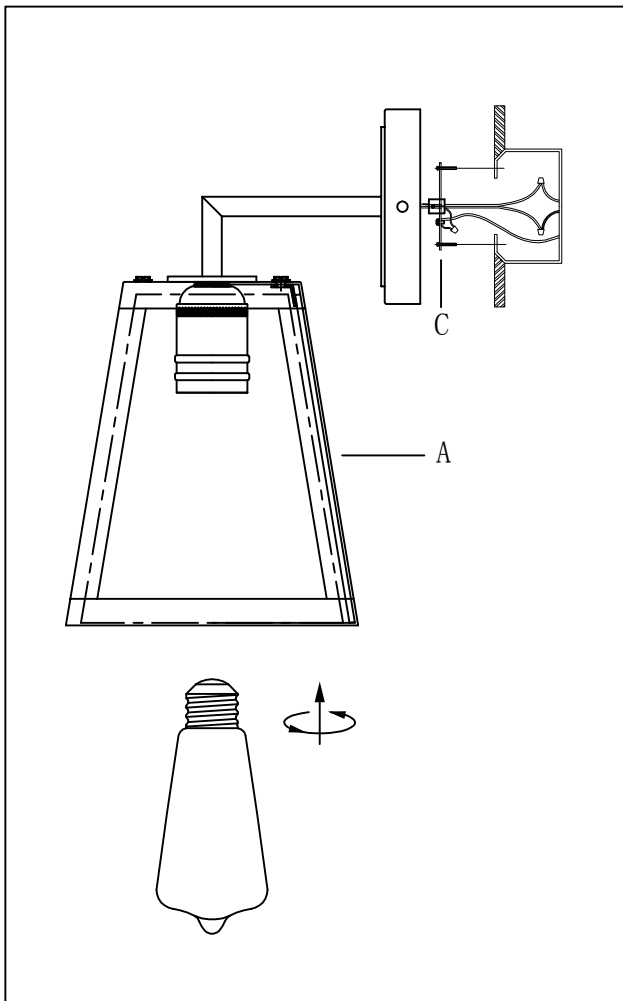


(B) Support screw

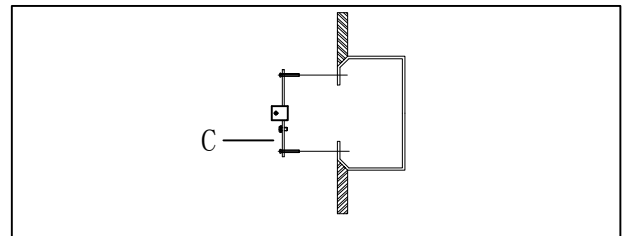


(C) Mounting bracket

Locate all hardware & components before discarding packaging

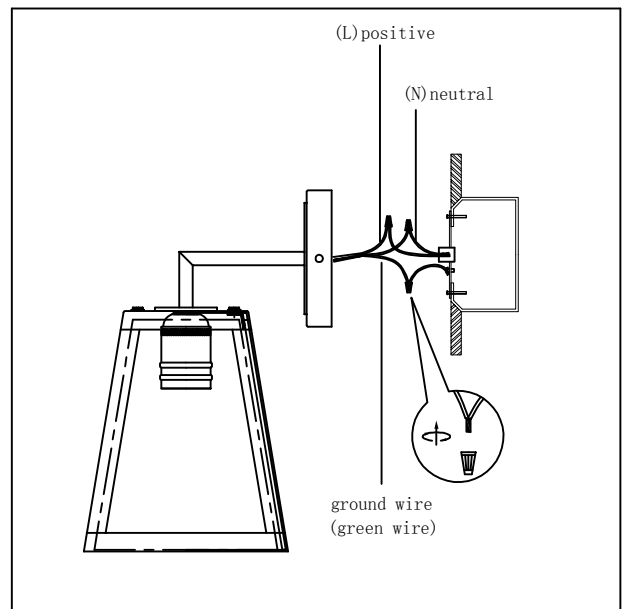


1.)



Step. 1: Install mounting bracket (C) to outlet box.

2.)

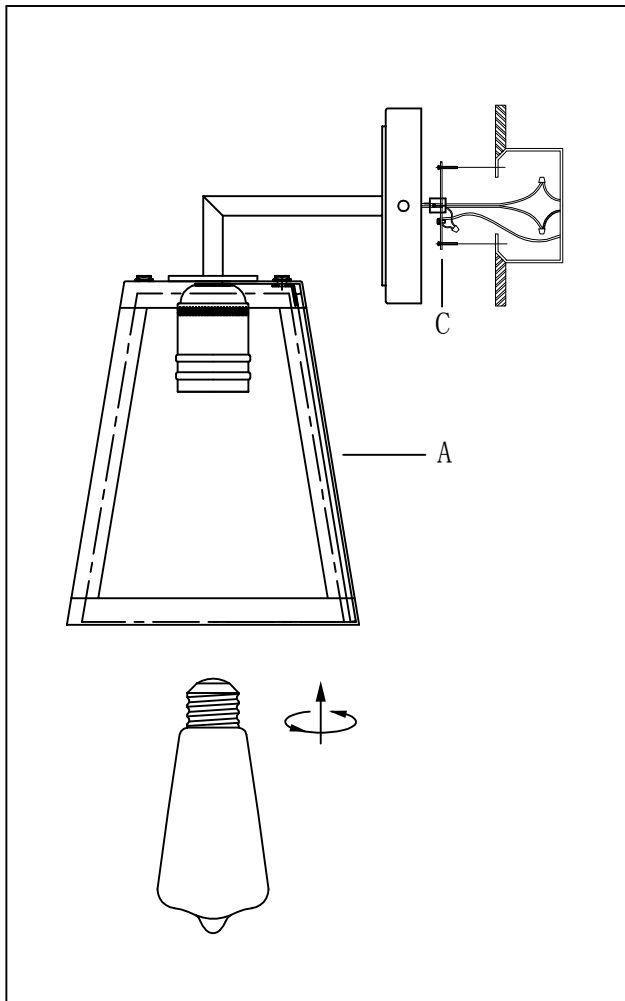


Step. 2: Wire fixture to wires in outlet box. Copper/green wire is for Ground.

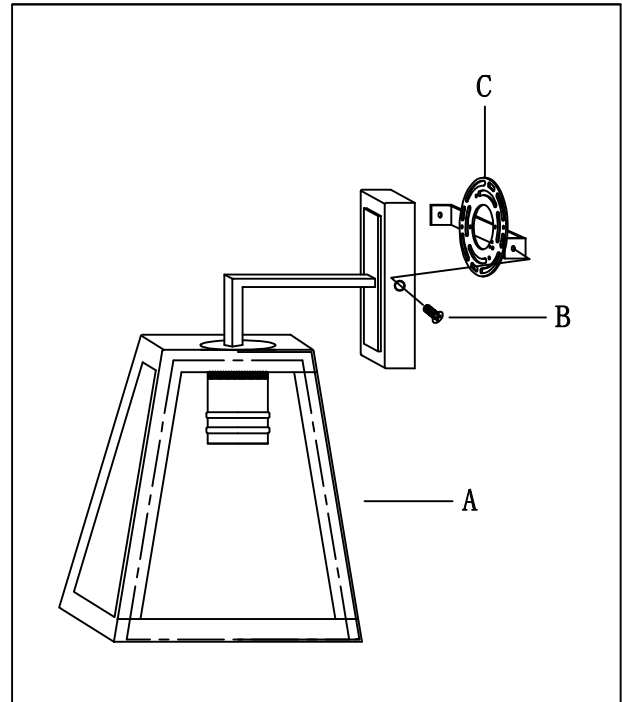
Cleaning & Care:

Clean with soft cloth and a mild detergent.
Do not use abrasive cleaner.

IMPORTANT: Turn off power at the main fuse or circuit breaker box before starting installation

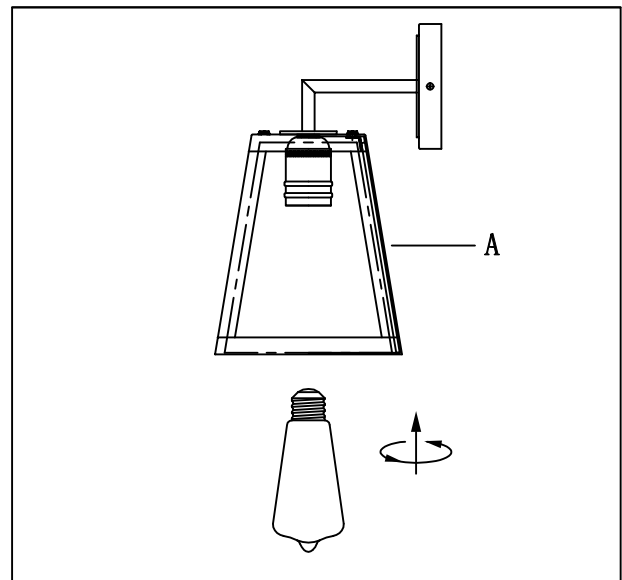


3.)



Step. 3: Run a bead of silicone sealant along the edge of the backplate to prevent water intrusion. Leave a gap at the bottom to allow moisture to escape. Attach the fixture to the mounting bracket (C) using screws (B) provided.

4.)



Step. 4: Install medium base Edison-style bulb(not included) into socket.

Cleaning & Care:

Clean with soft cloth and a mild detergent. Do not use abrasive cleaner.