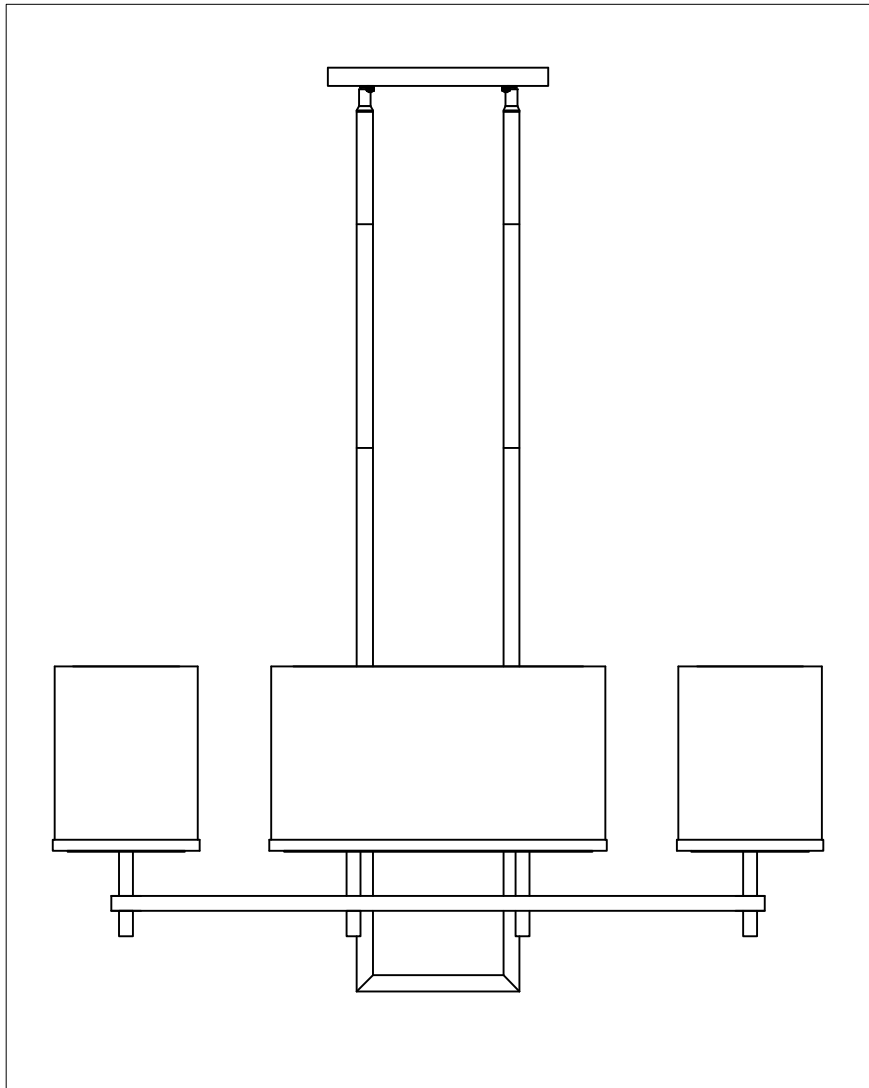




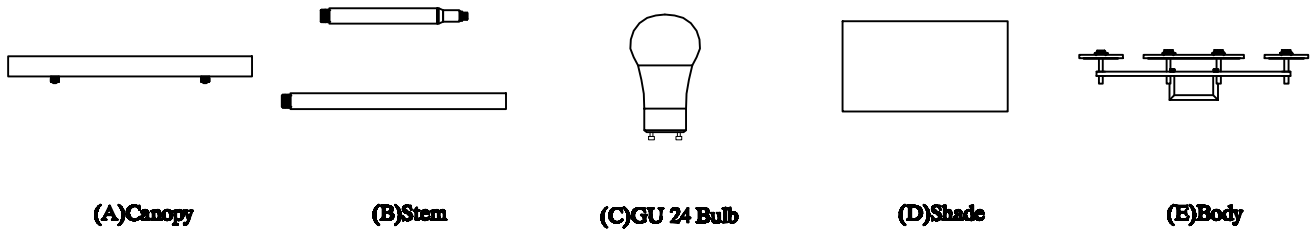
PRODUCT NAME:Hennesy
ITEM NUMBER: 43446

Please consult your electrician for hanging fixture and wiring.

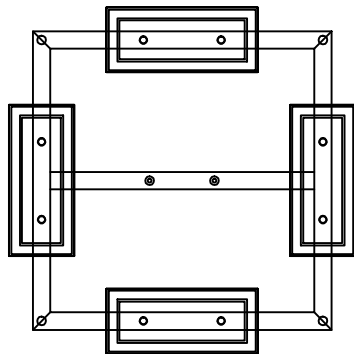
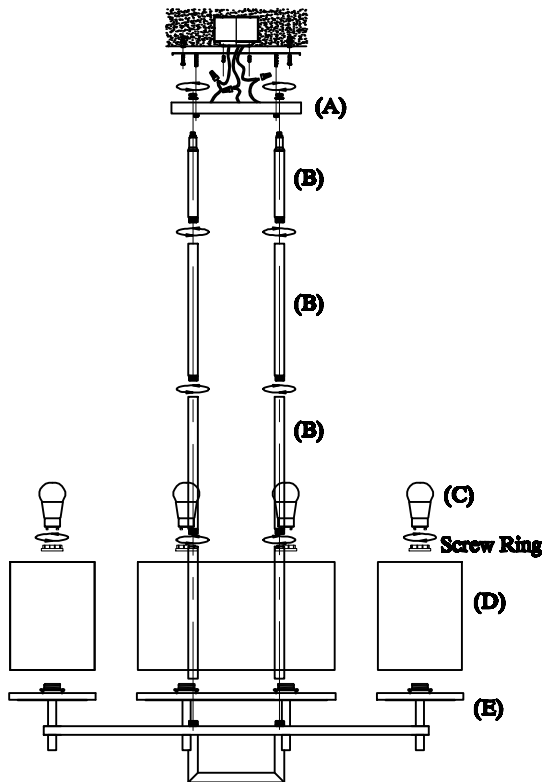


Bulb(included): 8 x GU24 LED 9W

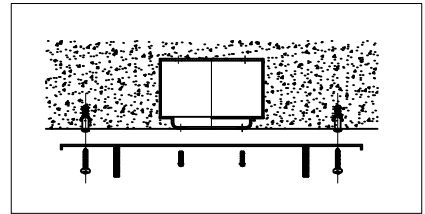
IMPORTANT: Turn off the power at the main fuse or circuit breaker box before starting installatio



Locate all hardware & components before discarding packaging

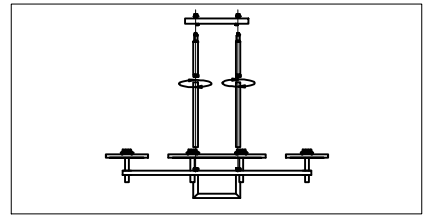


1.)



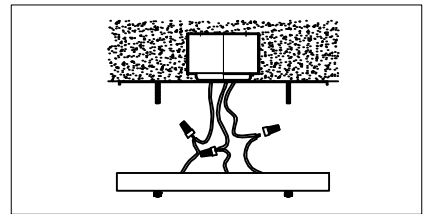
Step.1: Remove mounting bracket from fixture and install to electrical box

2.)



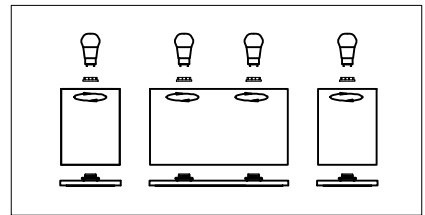
Step.2: Run wire through stems (B) and combine setm lengths to meet desired mounting height

3.)



Step.3: Wire fixture to wires in outlet box. Copper/Green wire is for Ground. Install fixture to bracket and tighten screws at the ends of the canopy (A) to secure

4.)



Step.4: Secure the lamp shade (D) to the lamp body (E) using the screw ring around the socket. Install the LED GU24 bulbs (C) provided.

Cleaning & Care:
Clean with soft cloth and a mild detergent.
Do not use abrasive cleaner.