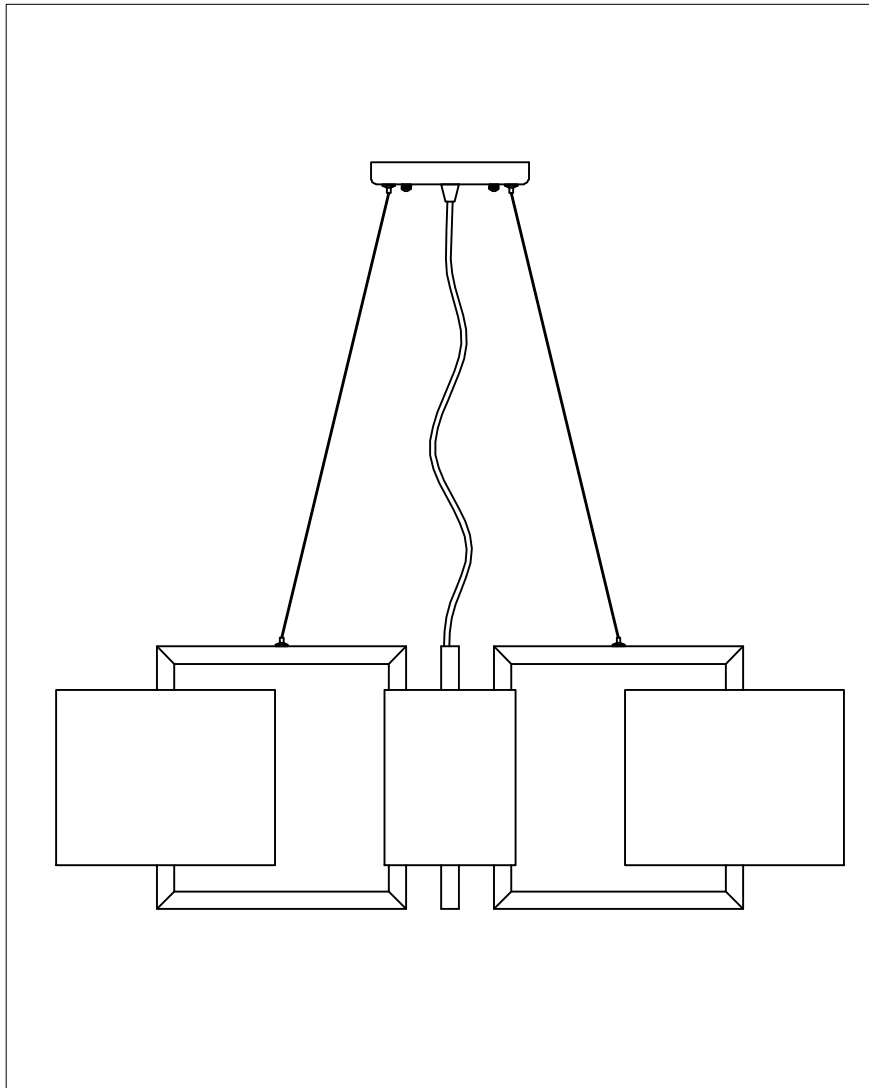




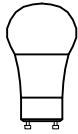
**PRODUCT NAME:**Baldwin  
**ITEM NUMBER:** 43556

**Please consult your electrician for hanging fixture and wiring.**



**Bulb(included): 6 x GU24 LED 9W**

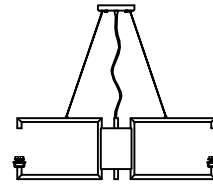
**IMPORTANT: Turn off the power at the main fuse or circuit breaker box before starting installatio**



(A)GU 24 Bulb

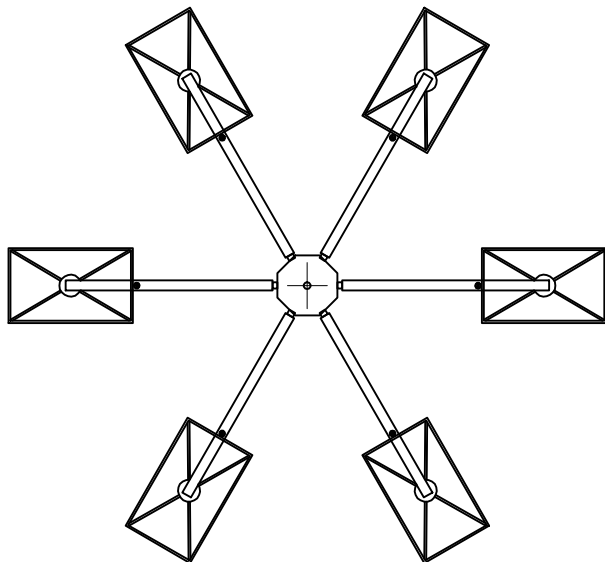
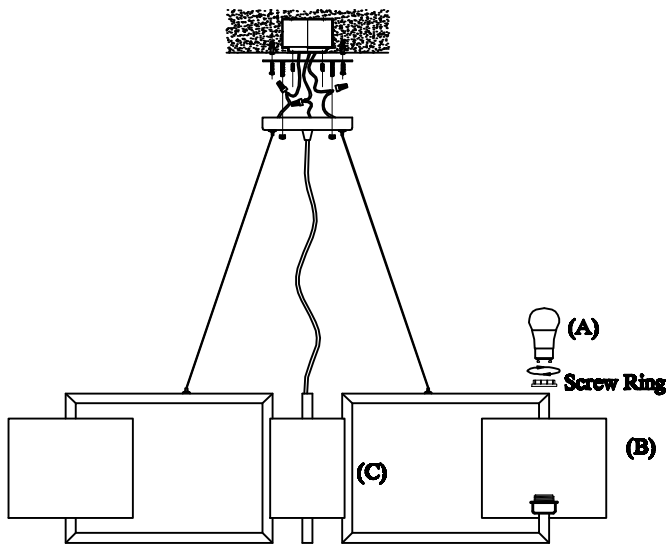


(B)Shade

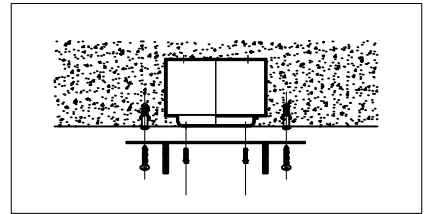


(C)Body

**Locate all hardware & components before discarding packaging**

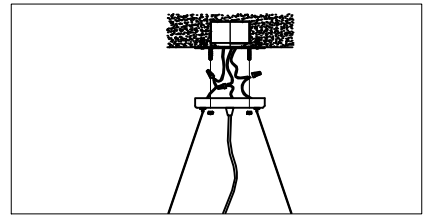


1.)



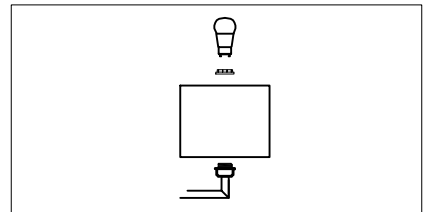
**Step.1:Remove mounting bracket from fixture and install to electrical box**

2.)



**Step.2:Wire fixture to wires in outlet box. Copper/Green wire is for Ground. Install fixture to bracket and tighten screws at the ends of the canopy(A)to secure**

3.)



**Step.3: Secure the lamp shade to the lamp body using the screw ring around the socket. Install the GU24 bulb provided.**

**Cleaning & Care:**  
Clean with soft cloth and a mild detergent.  
Do not use abrasive cleaner.