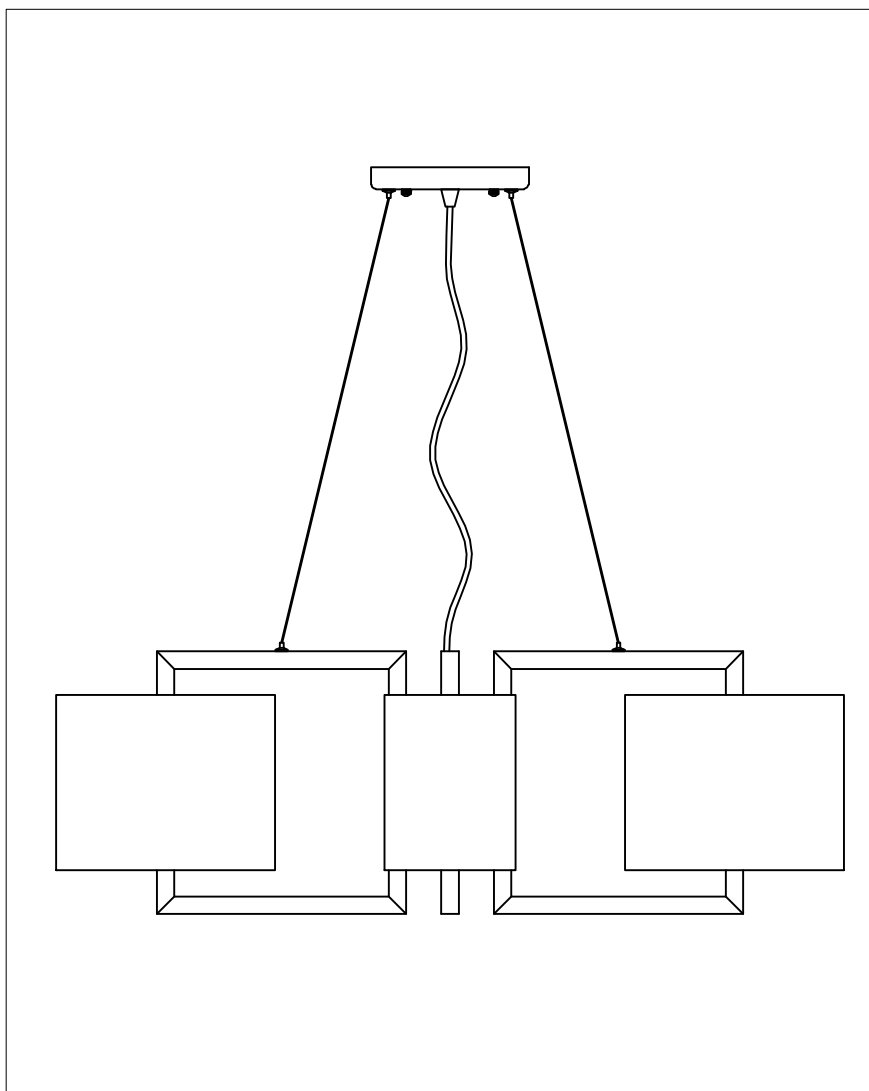




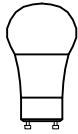
PRODUCT NAME:Baldwin
ITEM NUMBER: 43558

Please consult your electrician for hanging fixture and wiring.



Bulb(included): 8 x GU24 LED 9W

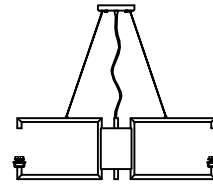
IMPORTANT: Turn off the power at the main fuse or circuit breaker box before starting installatio



(A)GU 24 Bulb

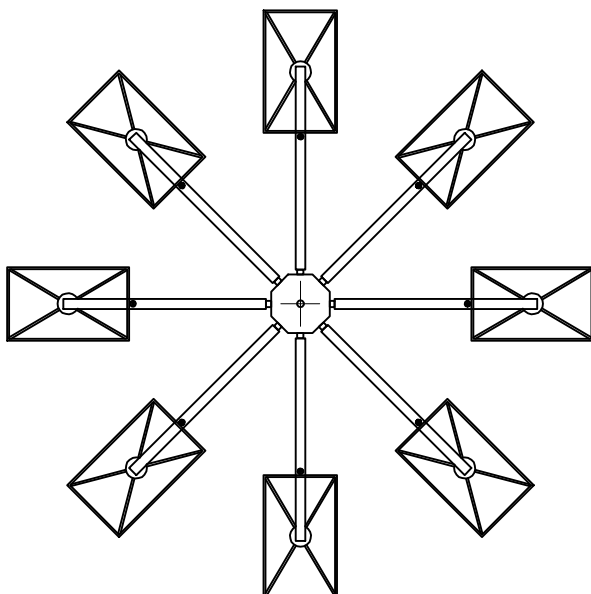
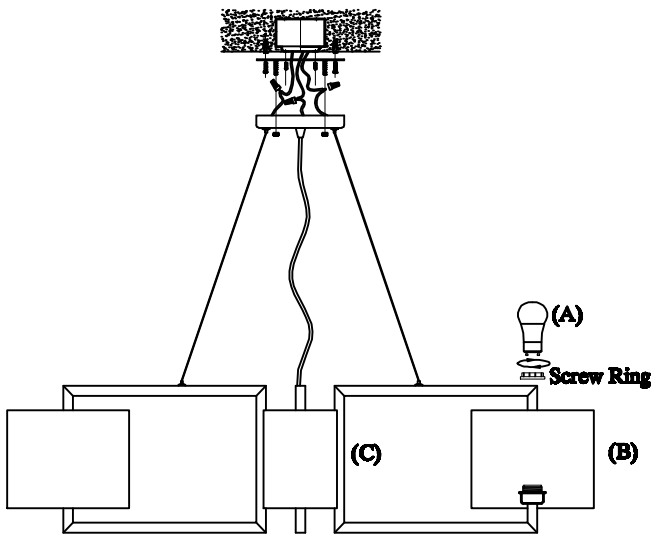


(B)Shade

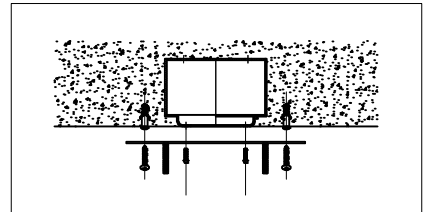


(C)Body

Locate all hardware & components before discarding packaging

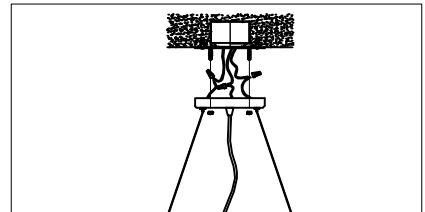


1.)



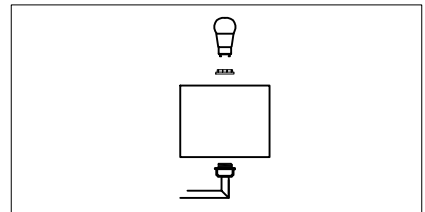
Step.1:Remove mounting bracket from fixture and install to electrical box

2.)



Step.2:Wire fixture to wires in outlet box. Copper/Green wire is for Ground. Install fixture to bracket and tighten screws at the ends of the canopy(A)to secure

3.)



Step.3: Secure the lamp shade to the lamp body using the screw ring around the socket. Install the GU24 bulb provided.

Cleaning & Care:
Clean with soft cloth and a mild detergent.
Do not use abrasive cleaner.