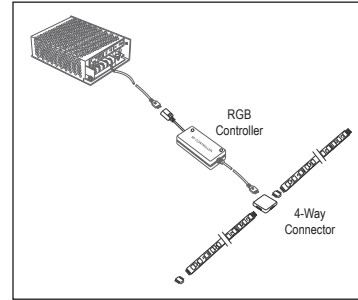
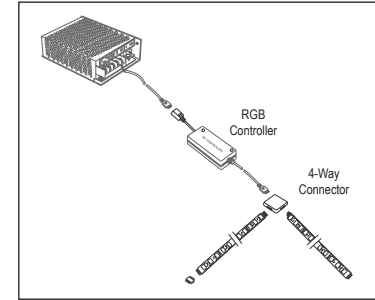


1. Layout your installation prior to removing adhesive tape backing. Tape is available in multiple lengths to get to the distance required. Although the tape can be cut every 2", connectors cannot be attached to cut ends. Cut ends are for termination of run only.
2. Rainbow Star is a RGB color tape system with multiple colors and functions available. A RGB controller (53284) must be used to control this system. The controller is installed between the driver and the first section of tape or 4 way connector (53263). The driver output cord plugs into the 12V DC cord supplied with RGB controller. The output cord from the RGB controller is then plugged into the tape or 4 way connector. There are 20 programmed functions to the RGB controller that are operated using the RF remote control included. Refer to directions included in controller for operation.
3. If a run greater than 16' (32' if powered from the middle or corner) is required, install a (53285) RGB amplifier at the end of each run before continuing with additional Rainbow Star. Each amplifier requires a driver large enough to power the remaining distance. The use of these amplifiers will allow you to use one RGB controller and the entire installation will be synchronized.
4. Locate driver in the center of the installation if possible. Use 4 way connector (53263) to power run from corner or middle. (See Diagram) Connecting cords are available in 3', 7", 13" and 73" lengths if driver needs to remote from tape. Do not exceed distance of 24' from driver to tape installation. If connecting cords are in a difficult to reach area it is recommended to use heat shrink tubes (53256) over cord connections to make sure cords do not disconnect.
5. Do not exceed maximum runs listed on chart enclosed. Connecting cords may be used between sections of tape when necessary. The length of the connecting cord does not affect maximum run. Maximum run distances listed are the length of tape only. Do not exceed distance of 12' between 2 sections of tape.
6. There is a polarity to this tape system. The positive side of the tape is marked with a + mark. The + side of the tape must be maintained throughout the installation. It is recommended to layout entire installation and power up prior to removing adhesive tape to make sure polarity is correct. There are male to male connectors (53262) available to help maintain polarity.
7. Make sure surface tape is adhering to is free of dust and dirt. If surface is irregular you can use mounting clips (53272) or 3" metal channel (53274) for a secure installation. Wire clips (53255) can be used to secure power and connecting cords.
8. All end terminations must be capped. Silicone end cap (53269) will terminate either cut or connector ends. Male end cap (53264) will terminate female connector ends.
9. Connector pins are made of brass and care needs to be taken not to bend pins during installation.

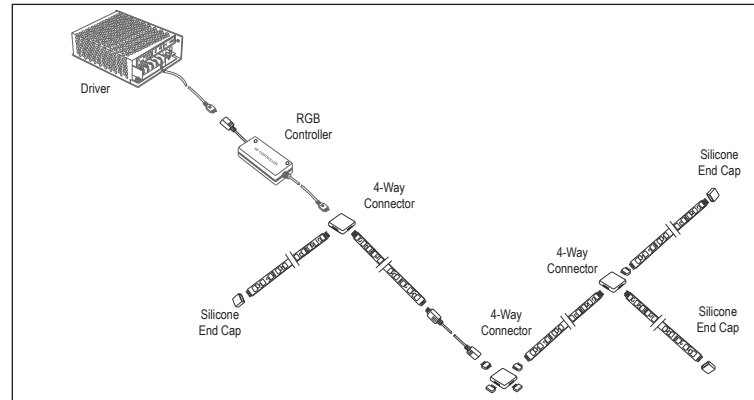
#### Power Run from Middle



#### Power Run from Corner



#### Sample Layout



**MAXIMUM RUN CHART**

Series	Using Driver/Controller	Maximum Run	Maximum Run Using 4-Way Connector (53263)
<b>Rainbow RGB</b>	53275 60w Class II Plug-In Driver	14 Feet	-
	53305 60w Class II Direct Wire Driver	14 Feet	-
	53276 75w Direct Wire Driver	16 Feet	-
	53306 96w Class II Direct Wire Driver	16 Feet	-
	53277 150w Direct Wire Driver	16 Feet	32 Feet

**5 YEAR LIMITED WARRANTY**

StarStrand™ LED Tape Lighting System components will be warranted for normal use for 5 years while the original purchaser owns it. Normal use means residential non-commercial use for no more than 6 hours per day in an environment that does not exceed 77°F.

Maxim Lighting International will, at its election, repair, replace or make appropriate adjustment where Maxim Lighting International inspection discloses any such defects occurring in normal usage within five (5) years after date of shipment. Maxim Lighting International is not responsible for removal or installation costs. This warranty is limited to the repair or replacement of the product only and that Maxim Lighting International is not responsible for any labor incurred. Use of incorrect installation methods and/or bulb wattage will void the warranty.

To obtain warranty service contact Maxim Lighting International either through your Dealer, Contractor or E-tailer, or by writing Maxim Lighting International, Attn: Customer Service Department, 253 North Vineland Avenue, City of Industry, CA 95746, USA, or by calling 1-800-486-2946 from within the USA and 1-626-956-4200 outside of the USA.

**DISCLAIMER OF IMPLIED WARRANTY**  
 IMPLIED WARRANTIES INCLUDING THAT OF MERCHANTABILITY AND FITNESS FOR A PARTICULAR PURPOSE ARE EXPRESSLY LIMITED IN DURATION TO THE DURATION OF THIS WARRANTY. MAXIM LIGHTING INTERNATIONAL AND/OR SELLER DISCLAIMS ANY LIABILITY FOR SPECIAL, INCIDENTAL OR CONSEQUENTIAL DAMAGES.

Some states/provinces do not allow limitations on how long an implied warranty lasts, or the exclusion or limitation of special, incidental or consequential damages, so these limitations and exclusions may not apply to you. This warranty gives you specific legal rights. You may also have other rights which vary from state/province to state/province.

