



Installation Instructions Model 53391

RGB LED Controller for DigiRibbon

53391



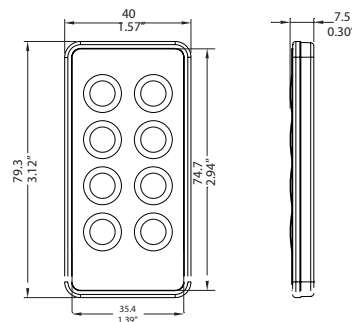
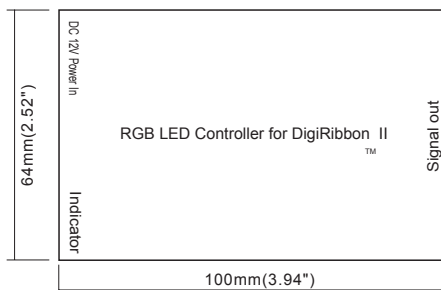
Features

- Controls up to 300' of DRS tape
- 36 modes and patterns
- 20 levels of speed adjustment
- 16 levels of brightness
- Power off data memory
- Remote control included

Technical Parameter

- Input voltage: DC 12V
- Output power: 100W
- Remote control distance:
40m (without obstacles)
- Output channel: one group digital signal

Dimensions (Unit: mm/inch)



Color Patterns

1. 7 - color flowing forward without grounding
2. Single LED dots running back-and-forth, without grounding
3. Single LED dots running back-and-forth, with grounding
4. 7 - color flowing forward and backward, without grounding
5. 7 - color flowing from the middle to the two ends, and then running in the opposite direction, without grounding
6. 7 - color flowing forward with grounding
7. 7 - color flowing backward with grounding





Installation Instructions

Model 53391

8. 7 – color flowing back-and-forth, with grounding
9. 7 – color running from middle to the two ends, and then running in the opposite direction, with grounding
10. 7 – color jump
11. Constant red
12. Constant green
13. Constant blue
14. Constant yellow
15. Constant purple
16. Constant cyan
17. Constant white
18. Six colors in one LED dots running
19. Six colors in two LED dots running
20. RGB cross-fading
21. Two red dots chasing back-and-forth with fading
22. Two green dots chasing back-and-forth with fading
23. Two blue dots chasing back-and-forth with fading
24. Two yellow dots chasing back-and-forth with fading
25. Two purple dots chasing back-and-forth with fading
26. Two cyan dots chasing back-and-forth with fading
27. Two white dots chasing back-and-forth with fading
28. Red color flowing backward with fading
29. Green color flowing backward with fading
30. Blue color flowing backward with fading
31. Yellow color flowing backward with fading
32. Purple color flowing backward with fading
33. Cyan color flowing backward with fading
34. White color flowing backward with fading
35. Six colors six dots chasing back-and-forth with fading
36. All patterns alternating

Function Description

POWER: Power on/off

PAUSE: Pause the current pattern (you can catch up with the minute changing)

MODE+: next pattern

MODE-: previous pattern

SPEED+: increase speed

SPEED-: decrease speed

BRT+: increase the brightness (19 levels)

BRT-: decrease the brightness (19 levels)

This controller has 36 modes that can be used with any length of ribbon.

To set the ribbon length:

1. Press the power key to turn off the strip

2. Press the MODE+ or MODE- key, the strip will turn red, this indicates that adjustment mode is active.

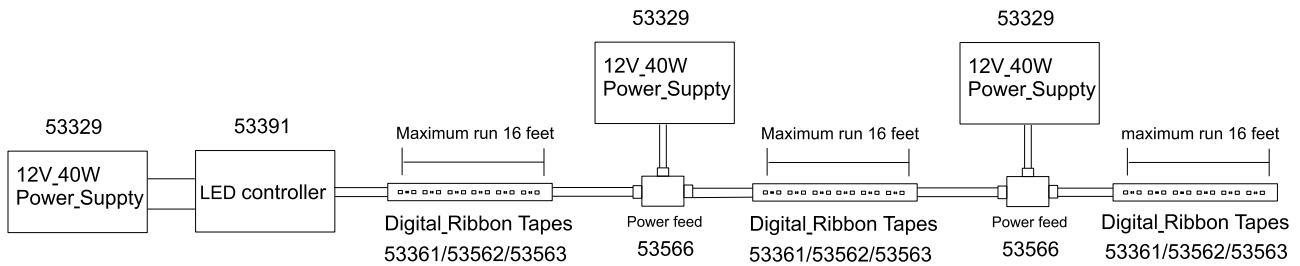




Installation Instructions

Model 53391

3. Press the MODE + to increase the length 1 time for every 3' or MODE - to reduce the length 1 time for every 3' (the red light indicates the active length).
4. After you have adjusted to the correct length, press the power button again. The controller is now set to the new length, this data is stored, even when the power is switched off or disconnected.



Cautions

1. This device can be only used to control Digital Rainbow star LED strips, it is not compatible with standard RGB Strips. Don't connect it to ordinary strips as this may damage the controller.
2. This device has a single wire for signal output, make sure the wires are connected correctly to avoid damage to the controller and / or the strip.
3. Use only 12V DC power supply, do NOT use high voltage AC.
4. The maximum input power should be below 100W to avoid damage to the controller and / or the strip.

