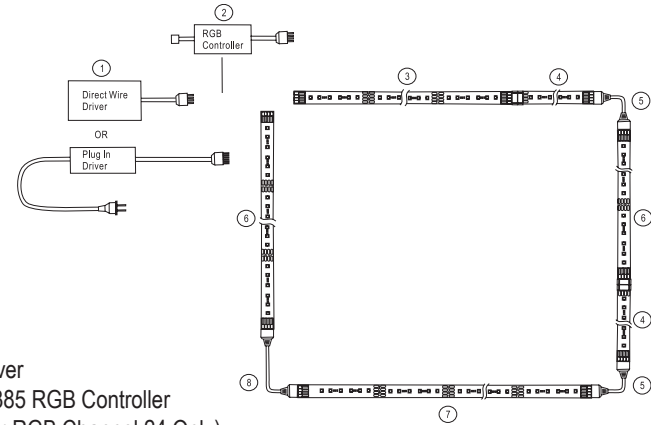


1. Layout your installation prior to installing clips. StarStrand RGB Channel is a 24V 4-Pin system. You must use the StarStrand 4-Pin to 6-Pin Adapter Cord (53352), which is included with each 24", 36" and 48" StarStrand RGB Channel 24 items, to connect to the 24V 6-Pin driver. StarStrand 4-Pin Connecting Cords are available in 3" (53265), 13" (53267), 73" (53268) lengths if driver needs to remote from StarStrand RGB Channel 24. Do not exceed distance of 24' from driver to StarStrand RGB Channel 24 installation. If connecting cords are in a difficult to reach area it is recommended to use heat shrink tubes (53256) over cord connections to make sure cords do not disconnect.
2. Do not exceed maximum runs listed on chart on reverse side of these instructions. Connecting cords may be used between sections of StarStrand RGB Channel 24 when necessary. The length of the connecting cord does not affect maximum run. Maximum run distances listed are the length of StarStrand RGB Channel 24 only. Do not exceed distance of 12' between 2 sections of StarStrand RGB Channel 24.
3. Connector pins are made of brass and care needs to be taken not to bend pins during installation.
4. StarStrand RGB Channel 24 is a RGB color tape system with multiple colors and functions available. A StarStrand RGB controller (53385) must be used to control this system. The controller is installed between the driver and the first section of StarStrand RGB Channel 24 or StarStrand 4-Way Connector (53284). The driver output cord plugs into the 24V DC cord supplied with StarStrand RGB Controller. The output cord from the StarStrand RGB Controller is then plugged into the StarStrand RGB Channel 24 or StarStrand 4-Way Connector. There are multiple programmed functions to the RGB controller that are operated using the RF remote control included. Refer to directions included in controller for operation.
5. If a run greater than 30' is required, install a (53386) StarStrand RGB Amplifier at the end of each run before continuing with additional StarStrand RGB Channel 24. Each amplifier requires a driver large enough to power the remaining distance. The use of these amplifiers will allow you to use one StarStrand RGB controller and the entire installation will be synchronized.



1. Driver
2. 53385 RGB Controller  
(For RGB Channel 24 Only)
3. 36" RGB Channel 24
4. 12" RGB Channel 24
5. 53265 3" Connecting cord
6. 24" RGB Channel 24
7. 48" RGB Channel 24
8. 53267 13" Connecting Cord



**MAXIMUM RUN CHART**

<b>RGB Channel 24</b>	30w Driver	6 Feet
	60w Driver	13 Feet
	75w Driver	17 Feet
	96w Driver	22 Feet
	150w Driver	30 Feet

**5 YEAR LIMITED WARRANTY**

StarStrand™ LED Tape Lighting System components will be warranted for normal use for 5 years while the original purchaser owns it. Normal use means residential non-commercial use for no more than 6 hours per day in an environment that does not exceed 77°F.

MAXIM Lighting will, at its election, repair, replace or make appropriate adjustment where MAXIM Lighting inspection discloses any such defects occurring in normal usage within five (5) years after date of shipment. MAXIM Lighting is not responsible for removal or installation costs. This warranty is limited to the repair or replacement of the product only and that MAXIM Lighting is not responsible for any labor incurred. Use of incorrect installation methods and/or bulb wattage will void the warranty.

To obtain warranty service contact MAXIM Lighting either through your Dealer, Contractor or Etailer, or by writing MAXIM Lighting, Attn: Customer Service Department, 253 North Vineland Avenue City of Industry, CA 95746, USA, or by calling 1-800-486-2946 from within the USA and 1-626-956-4200 outside of the USA.

**DISCLAIMER OF IMPLIED WARRANTY**

IMPLIED WARRANTIES INCLUDING THAT OF MERCHANTABILITY AND FITNESS FOR A PARTICULAR PURPOSE ARE EXPRESSLY LIMITED IN DURATION TO THE DURATION OF THIS WARRANTY. MAXIM Lighting AND/OR SELLER DISCLAIMS ANY LIABILITY FOR SPECIAL, INCIDENTAL OR CONSEQUENTIAL DAMAGES.

Some states/provinces do not allow limitations on how long an implied warranty lasts, or the exclusion or limitation of special, incidental or consequential damages, so these limitations and exclusions may not apply to you. This warranty gives you specific legal rights. You may also have other rights which vary from state/province to state/province.

