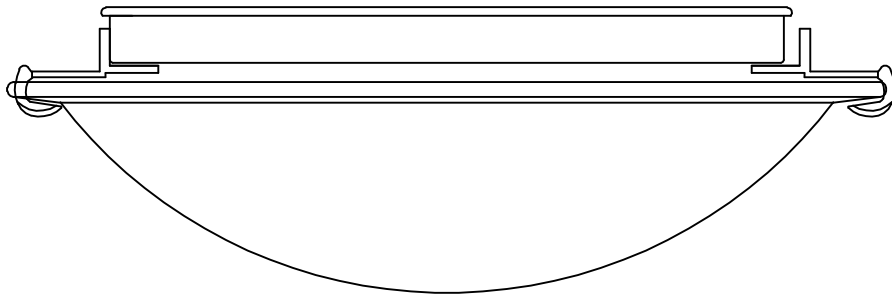




PRODUCT NAME: ESSENTIALS

ITEM NUMBER: 55525FTSN 55526FTSN

Please consult your electrician for hanging fixture and wiring.



The fixture is designed to dim with a standard Triac forward phase dimmer. Dimming levels will vary by dimmer.

Below is a list of recommended dimmers:

Lutron MACL-153M

Lutron DVL-153P

Lutron SCL-153P

Leviton IPL06-10Z

Leviton 6674-POW

Due to inrush current, wattage should not exceed 150 Watts of product for a 600W dimmer.

WARNING: Wires need to be connected to driver found in canopy and should not be connected directly to power source or a short may occur.

55525FTSN : 15W LED 3000K DIMMABLE

55526FTSN : 23W LED 3000K DIMMABLE

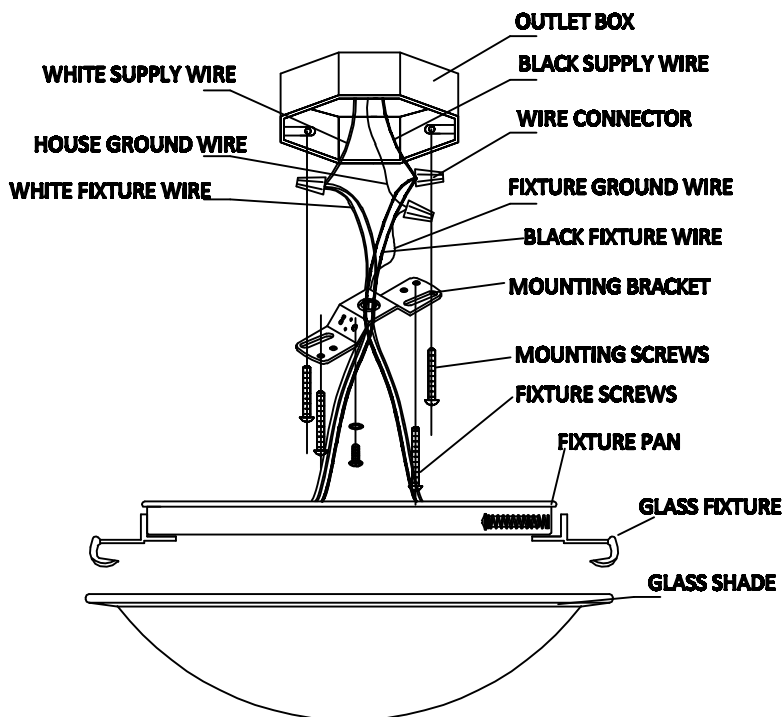


PRODUCT NAME:Linear LED

ITEM NUMBER:55525FTSN 55526FTSN

CAUTION:Turn off the main power at the circuit breaker before installing and servicing the fixture to prevent possible injury from electric shock.

All electrical connections must be in accordance with local and National Electrical Code (N.E.C.) standards. If you are unfamiliar with proper electrical wiring connections, obtain the services of a qualified electrician.



1:Pull the SUPPLY WIRES and the HOUSE GROUND WIRE out from the OUTLET BOX (not included) and attach the MOUNTING BRACKET to the OUTLET BOX (1)(not included) using the slotted holes on the MOUNTING BRACKET and the MOUNTING SCREWS provided

2:Thread the FIXTURE SCREWS into the appropriate threaded holes in the MOUNTING BRACKET

3:Connect the power supply wires to the fixture lead wires by connecting the BLACK FIXTURE WIRE to the BLACK SUPPLY WIRE, and the WHITE FIXTURE WIRE to the WHITE SUPPLY WIRE using WIRE CONNECTOR. Connect the remaining FIXTURE GROUND WIRE to the SUPPLY GROUND WIRE by fixed on the MOUNTING BRACKET.

4:Carefully tuck all wiring back into the OUTLET BOX (not included). Locate the FIXTURE PAN over the OUTLET BOX (not included), positioning the FIXTURE SCREW heads through the large openings of the KEY HOLE SLOTS. Rotate the FIXTURE PAN to seat the screws, and tighten securely.

5:Among 3 GLASS FIXTURE, one of them attached with a spring. Pull this GLASS FIXTURE gently and then put the GLASS SHADE into the GLASS FIXTURE.