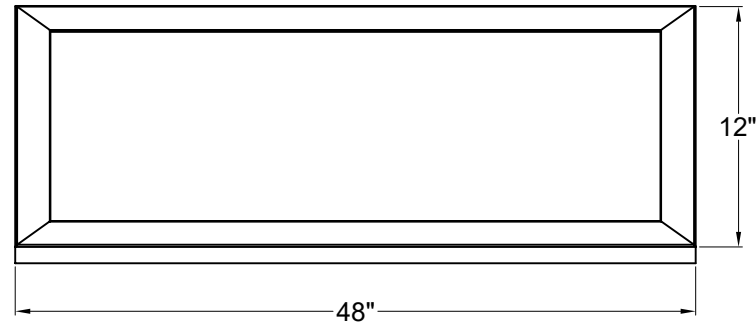




PRODUCT NAME: Sky Panel  
ITEM NUMBER: 57764/57774

Please consult your electrician for hanging fixture and wiring.



The fixture is designed to dim with an Electronic Low Voltage dimmer. Dimming levels will vary by dimmer. Below is a list of recommended dimmers:

- Lutron DVELV-330P
- Lutron MAELV-600M
- Lutron SAELV-153P
- Leviton IPL06-10Z
- Leviton 6674-POW
- Legrand Tru-Universal ADTP703TUV4

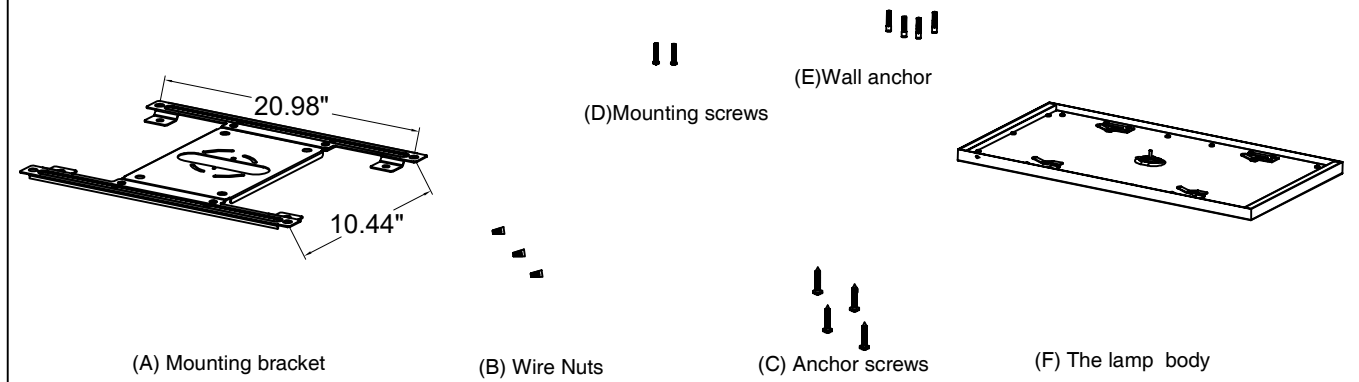
Due to inrush current wattage should not exceed 150 watts of product for a 600 watt dimmer.

**WARNING:** Wires need to be connected to driver found in canopy and should not be connected directly to power source or a short may occur

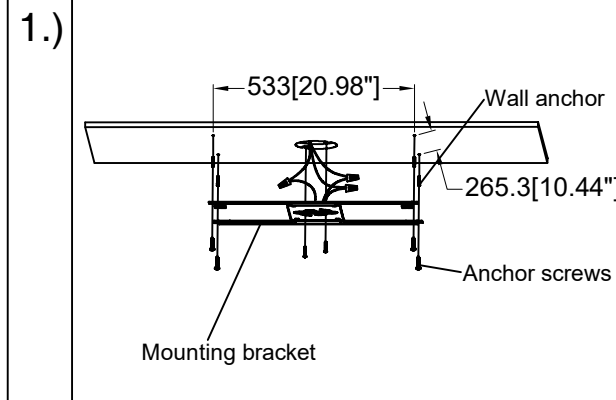
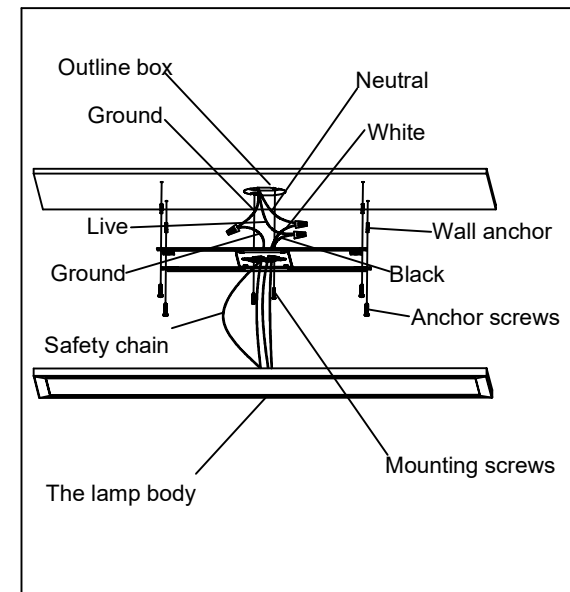
Bulbs( integrated): 120-277V Input and dimmable at 120V Integrated

MADE IN CHINA  
Page 1 of (2)

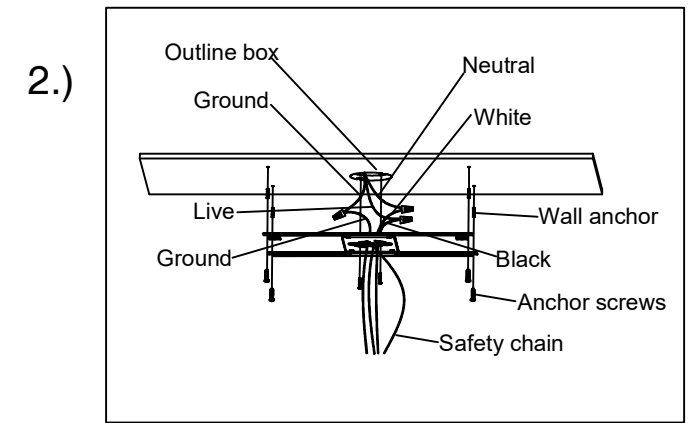
**IMPORTANT:** Turn off the power at the main fuse or circuit breaker box before starting installation



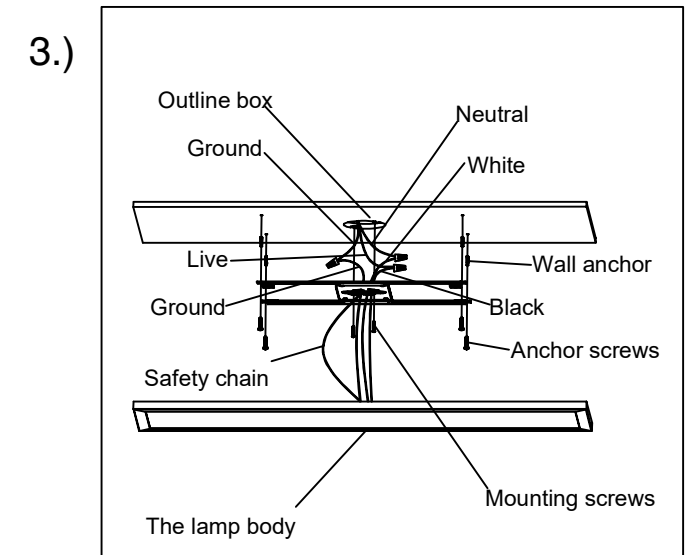
Locate all hardware & components before discarding packaging



Step 1. Remove mounting bracket from fixture and install to electrical box. Mark where the narrow end of the keyhole slots on the bracket meet the wall. Remove mounting bracket from wall. Drill holes using 1/4" ± drill bit where marked. Install mounting bracket to outlet box and hammer anchors into drill holes. Thread anchor screws into wall anchors until wall plate is flush with wall.



Step 2: Finish wiring (Black for Live, White for Neutral, and Green/Yellow Green for Ground.). Insert the head of safety chain into the bracket slot



Step 3: Slide lamp into the clip of bracket till click

**Cleaning & Care:**  
Clean with soft cloth and a mild detergent.  
Do not use abrasive cleaner.

Page 2 of (2)