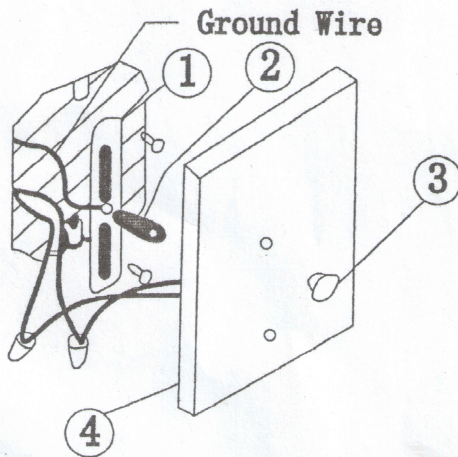
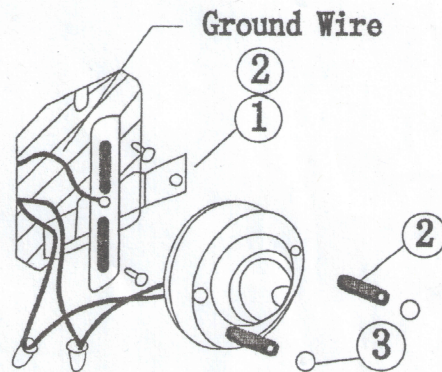


Please read instructions carefully before installation of you Lighting Fixture. Referring to the drawing below, you hate to determine the type of fixture which you have purchased "Singte Strap Mounted" or "Swivel Strap Mounted" and proceed accordingly.



1. Single cross bar
2. Threaded nipple
3. Thredsed cap
4. Fixture canopy



1. Swivel cross bar
2. Threaded screw pin
3. Ball knobs
4. Fixture canopy

Installation Procedures

1. Swith off the power supply to the outlet box on which you plan to mount the lighting fixture
(Caution:Disconnect all power before servicing)
2. Fix he cross bar to outlet box by using existing outlet box screws
3. Connect thxture wirest to house wires, Ensure the right matching as black to black, white to white Secure house ground wire to the cross bar ground wire screw(Caution:Make sure connections are secure, in Right Polatity and in Good Insulation)
4. Mount lighting Fixture according to the drawing above
5. Caulk with silicon or similar caulking dutable for outdoor use
Make a complete seal around fixture canopy and mountiong surface