

FLUORESCENT FLUSH MOUNT FIXTURE ASSEMBLY & INSTALLATION INSTRUCTIONS

Please read carefully and save these instructions, as you may need them at a later date.

NOTE: Ballast replaceable by use of a qualified electrician only.

CAUTION

Turn off the main power at the circuit breaker before installing the fixture, in order to prevent possible shock.

GENERAL

All electrical connections must be in accordance with local and national electrical code (N.E.C) standards. If you are unfamiliar with proper electrical wiring connections obtain the services of a qualified electrician.

Remove the fixture and the mounting package from the box and make sure that no parts are missing by referencing the illustrations on the installation instruction.

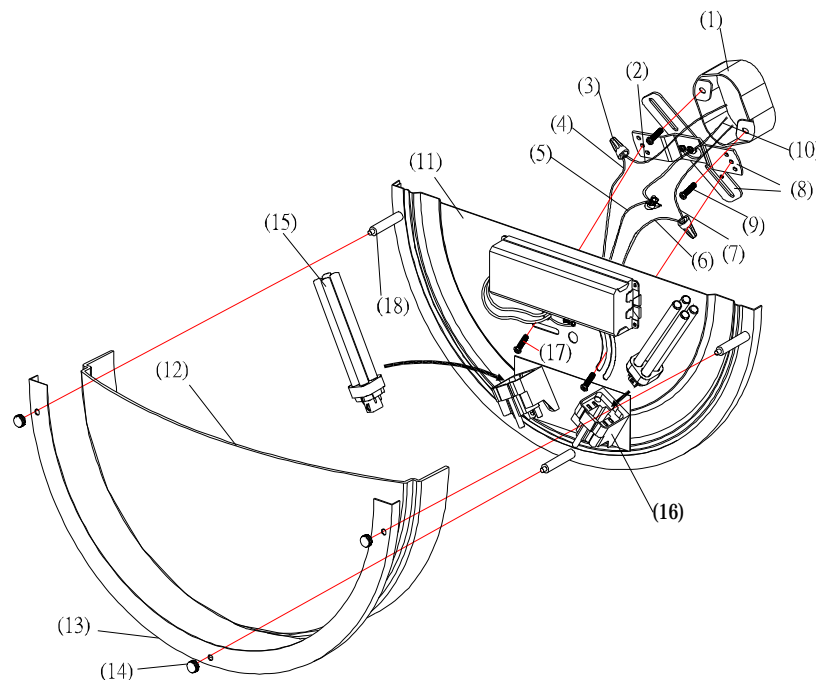
ASSEMBLY AND INSTALLATION

1. Turn off the power.
2. Remove the Decorative Nuts (14) from the Metal Ring (13). Remove the Metal Ring (13) and Acrylic Lens (12) from the Fixture Pan(11).
3. Pull the Supply Wires (2) & (7) and House Ground Wire (10) out from the Outlet Box (1).
4. Secure the Cross Bar (8) to the Outlet Box (1) by the Screws (9).
5. Make the wiring connections: connect the White Supply Wire (2) to the White Fixture Wire (4); connect the Black Supply Wire (7) to the Black Fixture Wire (6) using Wire Connectors (3). Wrap the House Ground Wire (10) and the Fixture Ground Wire (5) around the green screw.
6. Carefully tuck all wires back into the Outlet Box (1). Locate the Fixture Pan (11) over the Cross Bar (8). Put the Mounting Screws (17) through the slots on the Fixture Pan (11) and secure the Mounting

Screws (17) to the Cross Bar (8).

7. Install the Lamps (15) into the Socket (16). Do not exceed recommended maximum wattage.
8. Place the Acrylic Lens (12) over the Fixture Pan (11). Place the Metal Ring (13) over the Acrylic Lens (12) lining up the holes with the fixture pan Posts (18) and secure it to the three Decorative Nuts (14).

INSTALLATION IS NOW COMPLETED



- | | |
|-----------------------|----------------------|
| 1. OUTLET BOX | 10.HOUSE GROUND WIRE |
| 2.WHITE SUPPLY WIRE | 11.FIXTURE PAN |
| 3.WIRE CONNECTORS | 12.ACRYLIC LENS |
| 4.WHITE FIXTURE WIRE | 13.METAL RING |
| 5.FIXTURE GROUND WIRE | 14.DECORATIVE NUT |
| 6.BLACK FIXTURE WIRE | 15.LAMP |
| 7.BLACK SUPPLY WIRE | 16.SOCKET |
| 8.CROSS BAR | 17.MOUNTING SCREW |
| 9.SCREW | 18.POSTS |

RKS900 B