

# FLUORESCENT FLUSH MOUNT FIXTURE ASSEMBLY & INSTALLATION INSTRUCTIONS

*Please read carefully and save these instructions, as you may need them at a later date.*

## CAUTION

Turn off the main power at the circuit breaker before installing the fixture, in order to prevent possible shock.

## GENERAL

All electrical connections must be in accordance with local and national electrical code (N.E.C) standards. If you are unfamiliar with proper electrical wiring connections obtain the services of a qualified electrician.

Remove the fixture and the mounting package from the box and make sure that no parts are missing by referencing the illustrations on the installation instruction.

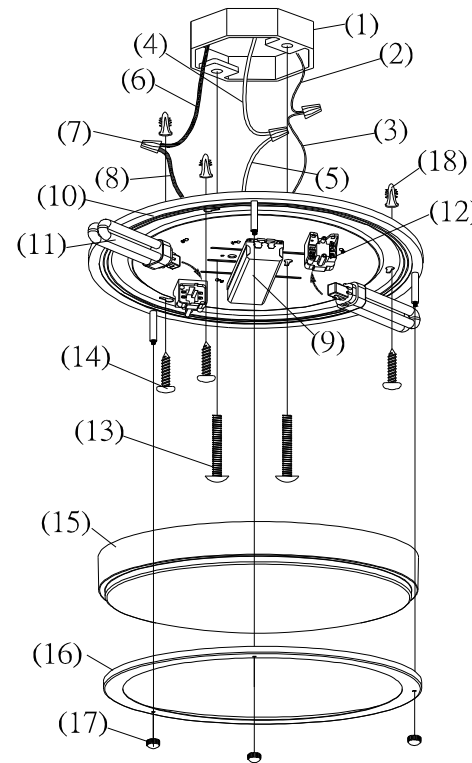
## ASSEMBLY AND INSTALLATION

1. Turn off the power.
2. Remove the decorative nuts (17) from the metal ring (16). Remove the metal ring (16) and acrylic lens (15) from the fixture pan (10).
3. Pull the supply wires (4) & (6) and house ground wire (2) out from the outlet box (1).
4. Position your fixture at the desired location. Mark the location of the three keyhole slots located on the fixture pan (10). Be sure to mark only the narrow parts of the keyhole slots. Remove the fixture pan (10) from the ceiling. Drill the three holes using the appropriately sized drill bit. Insert the provided ceiling anchors (18) into the holes.
5. Make the wiring connections: Connect the white supply wire (4) to the white fixture wire (5); connect black supply wire (6) to the black fixture wire (8) using wire connectors (7). Connect the house ground wire (2) to the fixture ground wire (3) using wire connector (7). Carefully tuck all wires back into the outlet box (1).
6. Locate the fixture pan (10) over the outlet box (1), position the fixture

screw (13) through the large opening of the keyhole slot and twist to the narrow opening of the key-hole slot. Put the other fixture screw (13) through the long slot on the fixture pan (10) and thread it into the outlet box (1). Then secure the fixture pan (10) to the outlet box (1) by the two fixture screws (13). Secure the anchor screws (14) to the anchors (18).

7. Now you are ready to install the Lamp (11) to the Socket (12). Do not exceed recommended maximum wattage.
8. Place the acrylic lens (15) over the fixture pan (10). Place the metal ring (16) over the acrylic lens (15) lining up the holes with the fixture pan posts and secure it with the three decorative nuts (17).

## INSTALLATION IS NOW COMPLETED



1. OUTLET BOX
2. HOUSE GROUND WIRE
3. FIXTURE GROUND WIRE
4. WHITE SUPPLY WIRE
5. WHITE FIXTURE WIRE
6. BLACK SUPPLY WIRE
7. WIRE CONNECTOR
8. BLACK FIXTURE WIRE
9. ELECTRONIC BALLAST
10. FIXTURE PAN
11. LAMP
12. SOCKET
13. FIXTURE SCREW
14. ANCHOR SCREW
15. ACRYLIC LENS
16. METAL RING
17. DECORATIVE NUT
18. ANCHOR

# FLUORESCENT FLUSH MOUNT FIXTURE ASSEMBLY & INSTALLATION INSTRUCTIONS

*Please read carefully and save these instructions, as you may need them at a later date.*

## CAUTION

Turn off the main power at the circuit breaker before installing the fixture, in order to prevent possible shock.

## GENERAL

All electrical connections must be in accordance with local and national electrical code (N.E.C) standards. If you are unfamiliar with proper electrical wiring connections obtain the services of a qualified electrician.

Remove the fixture and the mounting package from the box and make sure that no parts are missing by referencing the illustrations on the installation instruction.

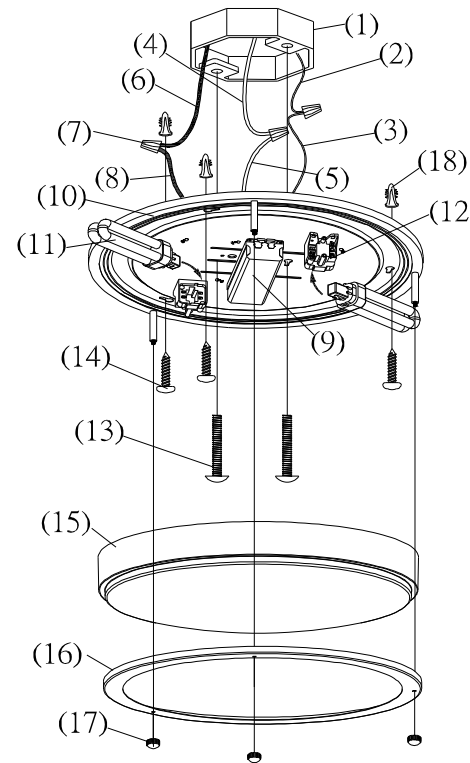
## ASSEMBLY AND INSTALLATION

1. Turn off the power.
2. Remove the decorative nuts (17) from the metal ring (16). Remove the metal ring (16) and acrylic lens (15) from the fixture pan (10).
3. Pull the supply wires (4) & (6) and house ground wire (2) out from the outlet box (1).
4. Position your fixture at the desired location. Mark the location of the three keyhole slots located on the fixture pan (10). Be sure to mark only the narrow parts of the keyhole slots. Remove the fixture pan (10) from the ceiling. Drill the three holes using the appropriately sized drill bit. Insert the provided ceiling anchors (18) into the holes.
5. Make the wiring connections: Connect the white supply wire (4) to the white fixture wire (5); connect black supply wire (6) to the black fixture wire (8) using wire connectors (7). Connect the house ground wire (2) to the fixture ground wire (3) using wire connector (7). Carefully tuck all wires back into the outlet box (1).
6. Locate the fixture pan (10) over the outlet box (1), position the fixture

screw (13) through the large opening of the keyhole slot and twist to the narrow opening of the key-hole slot. Put the other fixture screw (13) through the long slot on the fixture pan (10) and thread it into the outlet box (1). Then secure the fixture pan (10) to the outlet box (1) by the two fixture screws (13). Secure the anchor screws (14) to the anchors (18).

7. Now you are ready to install the Lamp (11) to the Socket (12). Do not exceed recommended maximum wattage.
8. Place the acrylic lens (15) over the fixture pan (10). Place the metal ring (16) over the acrylic lens (15) lining up the holes with the fixture pan posts and secure it with the three decorative nuts (17).

## INSTALLATION IS NOW COMPLETED



1. OUTLET BOX
2. HOUSE GROUND WIRE
3. FIXTURE GROUND WIRE
4. WHITE SUPPLY WIRE
5. WHITE FIXTURE WIRE
6. BLACK SUPPLY WIRE
7. WIRE CONNECTOR
8. BLACK FIXTURE WIRE
9. ELECTRONIC BALLAST
10. FIXTURE PAN
11. LAMP
12. SOCKET
13. FIXTURE SCREW
14. ANCHOR SCREW
15. ACRYLIC LENS
16. METAL RING
17. DECORATIVE NUT
18. ANCHOR