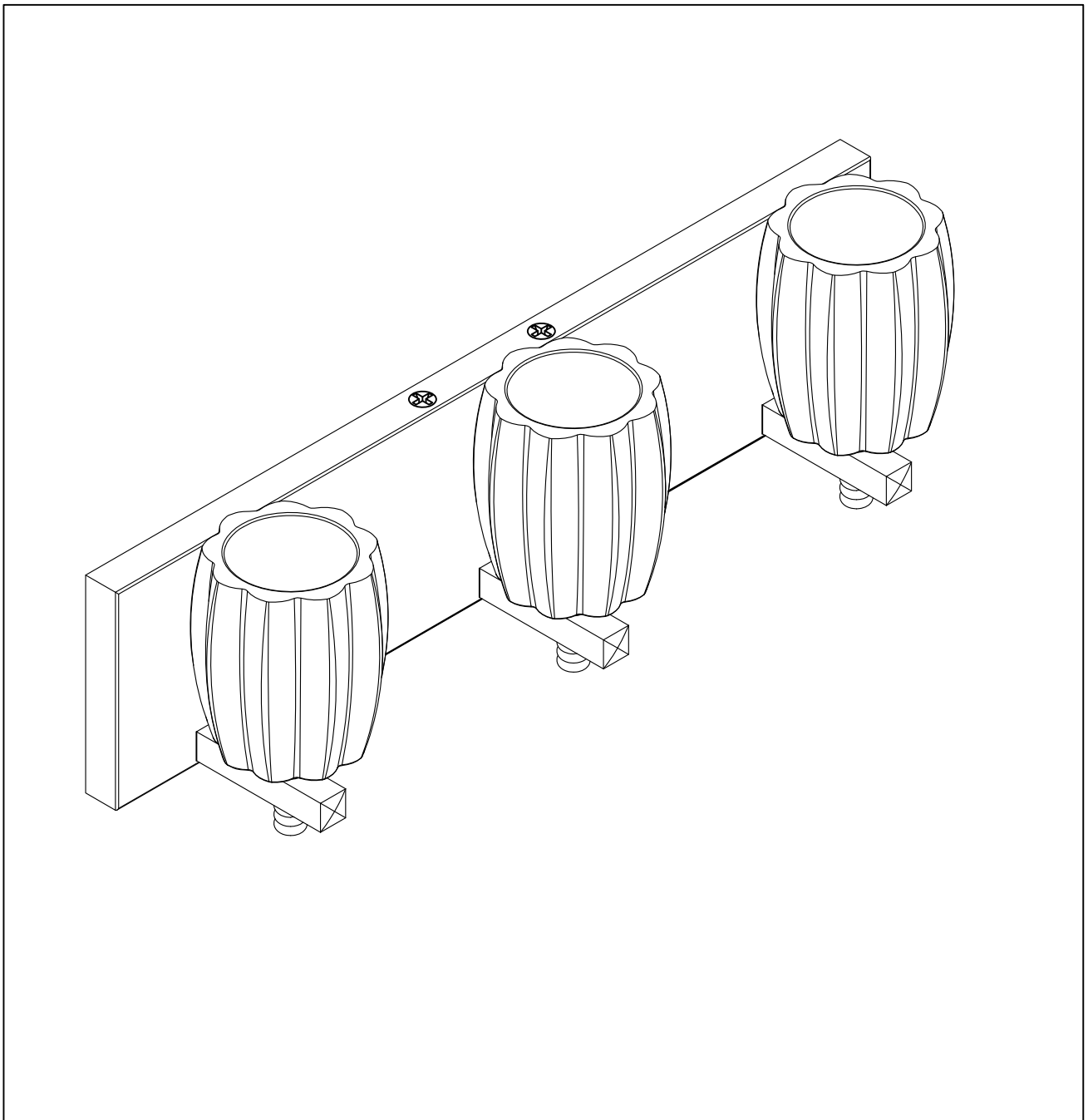




PRODUCT NAME: Bravado

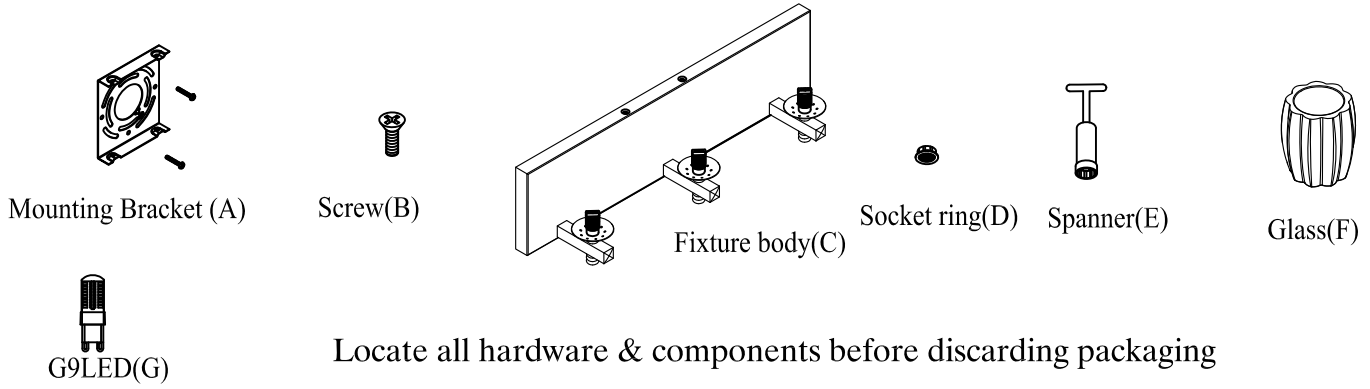
ITEM NUMBER: 9043CIPC /9043CIGO

Please consult your electrician for hanging fixture and wiring.

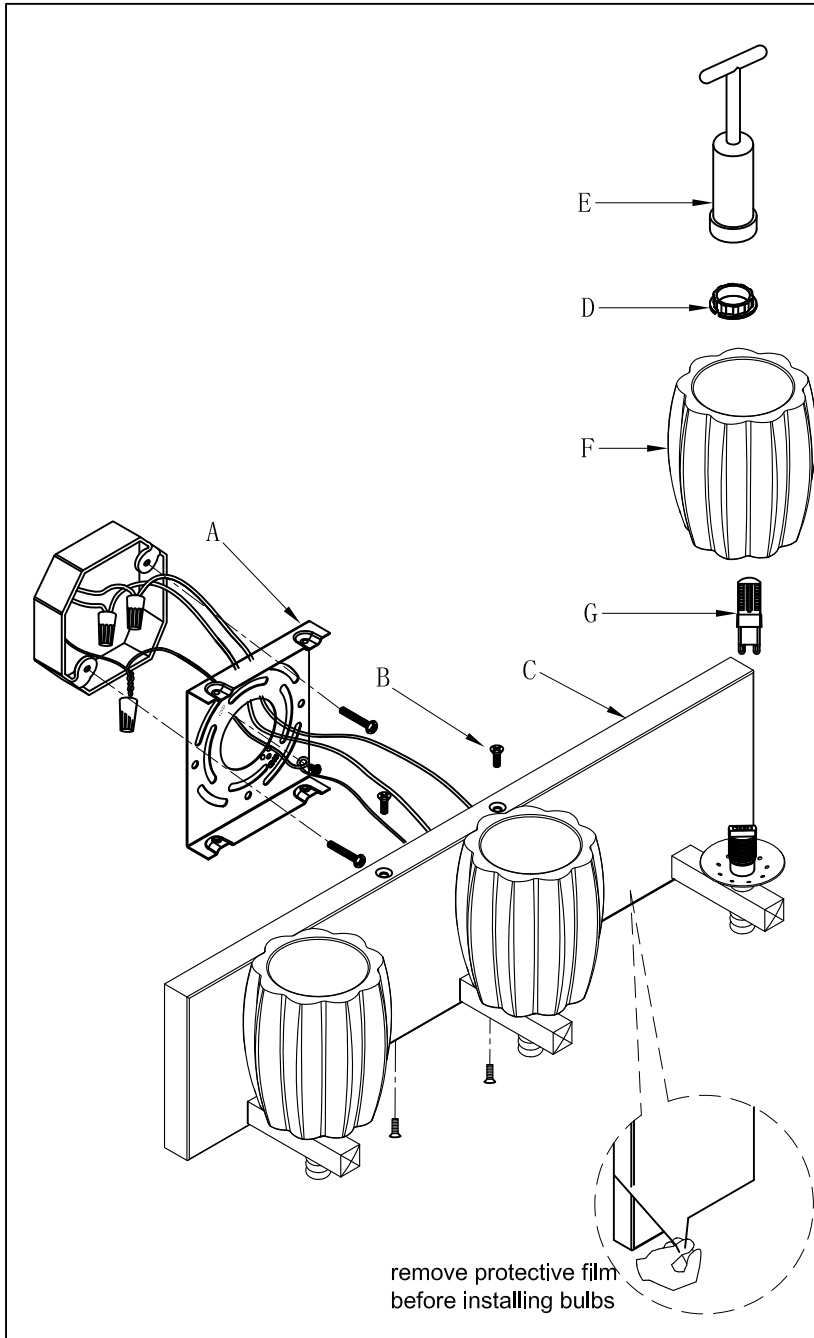


Bulbs (Included ): 3 x 4W G9 LED

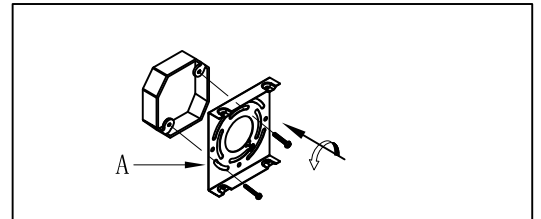
**IMPORTANT:** Turn off the power at the main fuse or circuit breaker box before starting installation



Locate all hardware & components before discarding packaging

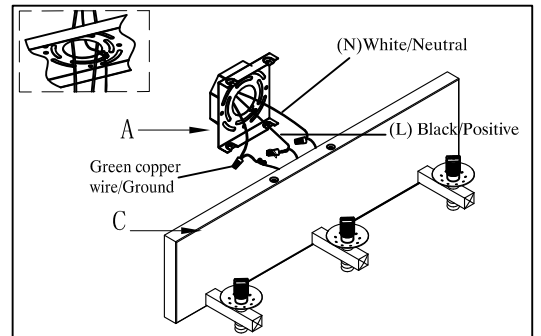


1.)



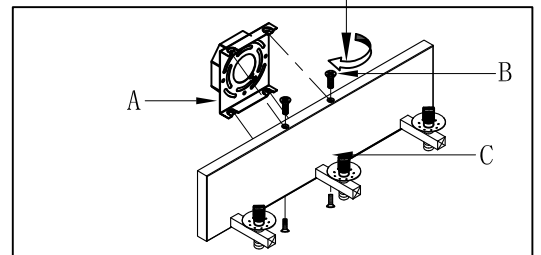
Step.1: Fasten the mounting bracket(A) onto the outlet box using two outlet box screws.

2.)



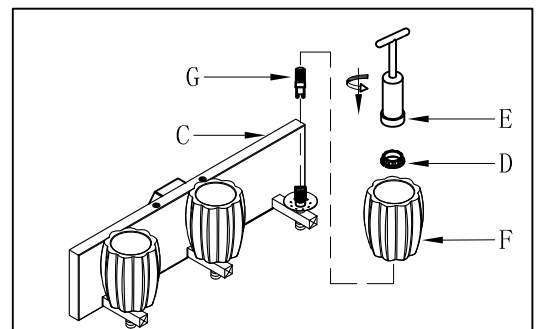
Step.2: Wire fixture to wires in outlet box. Green copper wire is for ground. And carefully position all wires inside the outlet box.

3.)



Step.3: Place the fixture body(C) against mounting bracket, Align the two holes of the mounting bracket and fixture body, then tighten the screws(B).

4.)



Step.4: Install G9 LED bulb(G) into socket, Position Glass(F) onto the socket of fixture body(C), then secure with socket ring(D) with Glass (F) onto Fixture body(C) by using spanner(E).

**Cleaning & Care:**  
Clean with soft cloth and a mild detergent.  
Do not use abrasive cleaner.