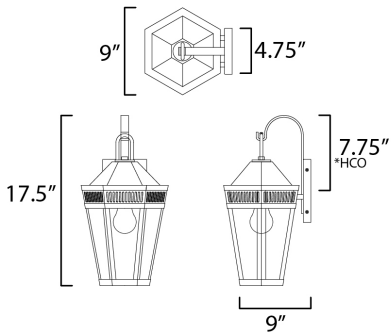




PRODUCT DESCRIPTION

Stately lanterns with perforated filigree along the hood casts a beautiful lighting effect. Finished in Matte Black, the collection is available in multiple sizes as well as flush mount, deck lantern, and two sizes of pendants.



MEASUREMENTS

DIMENSION : 9" W x 17.5" H x 9" Ext
 BACK PLATE : 4.75" W x 6.5" H x 7.75" HCO
 HANGING WEIGHT : 2.15 lb

LAMPING

INPUT VOLTAGE : 120V
 BULB : 1 x 60W Incandescent E26 Medium , 60W Total
 BULB INCLUDED : (Not Included)
 DIMMABLE : Y
 LIGHTING_DIRECTION : Down

FINISHES OPTION

 Black (BK)

GLASS

Clear CL

MATERIAL

Stainless Steel, Aluminum, Glass

RATINGS

cETLus
 Wet Location



ADDITIONAL

INSTALL UP/DOWN: Up
 OPERATING TEMPERATURE:
 -20°C (-4°F), 40°C (104°F)

Always consult a qualified electrician before installing any lighting product.



WESTERN DISTRIBUTION CENTER (HEADQUARTER)
 253 NORTH VINELAND AVE | CITY OF INDUSTRY, CA 91746

EASTERN DISTRIBUTION CENTER
 101 GARDNER PARK | PEACHTREE CITY, GA 30269

P. 626.956.4200 | F. 626.956.4225 | maxilighting.com