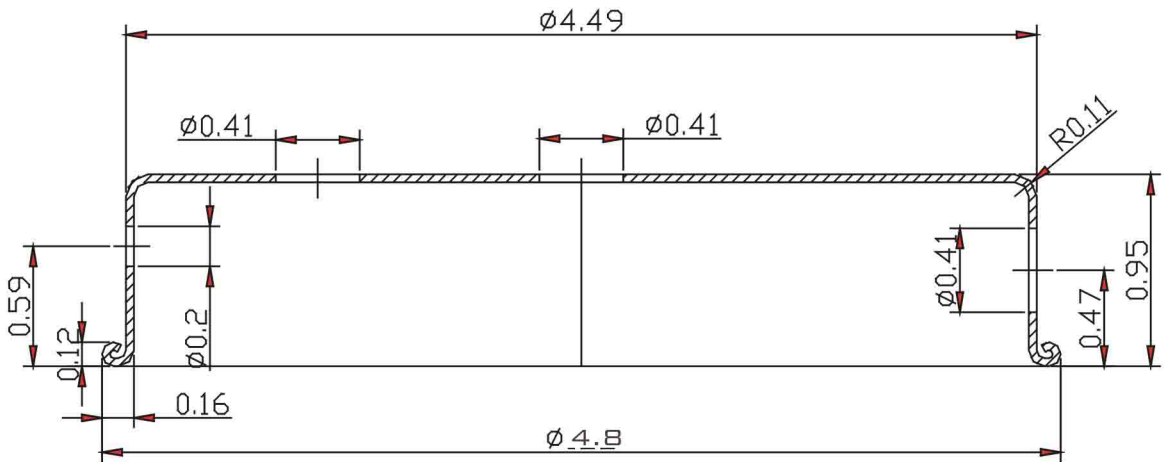
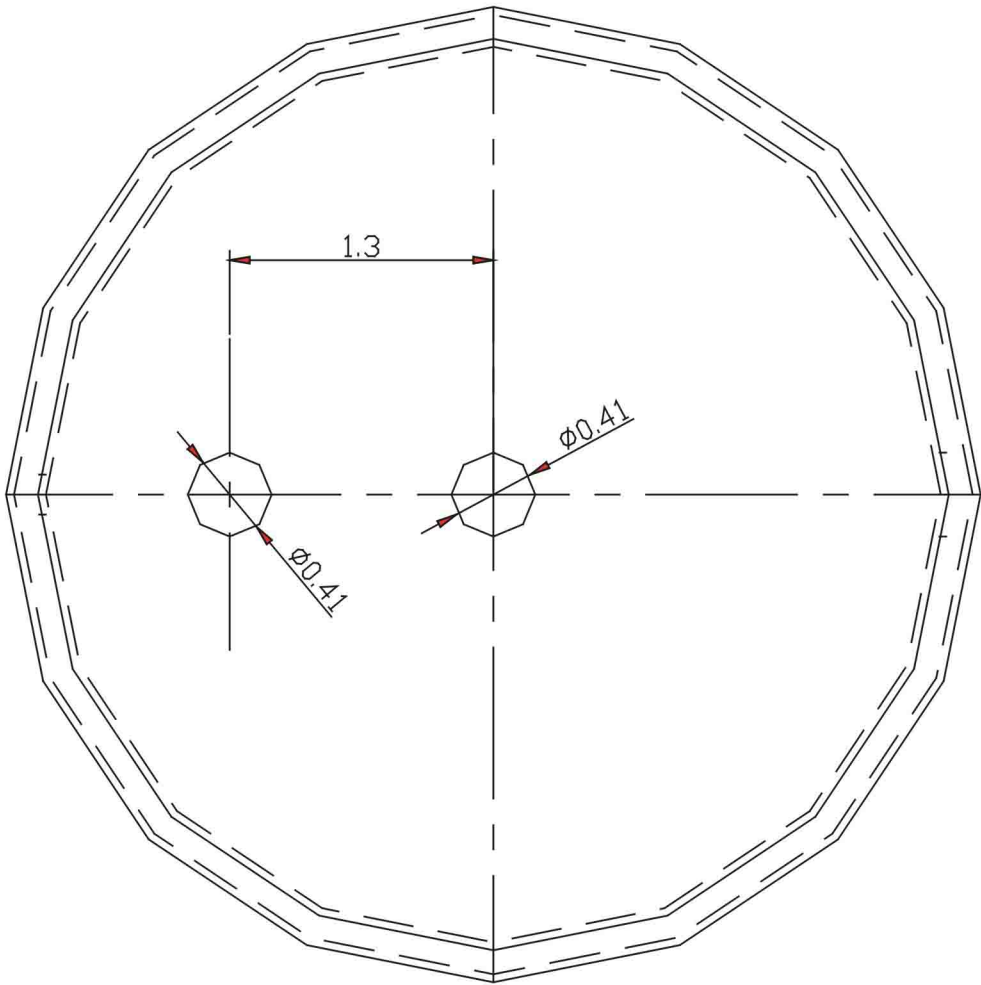


It should be 4.80"



UNIT:INCH