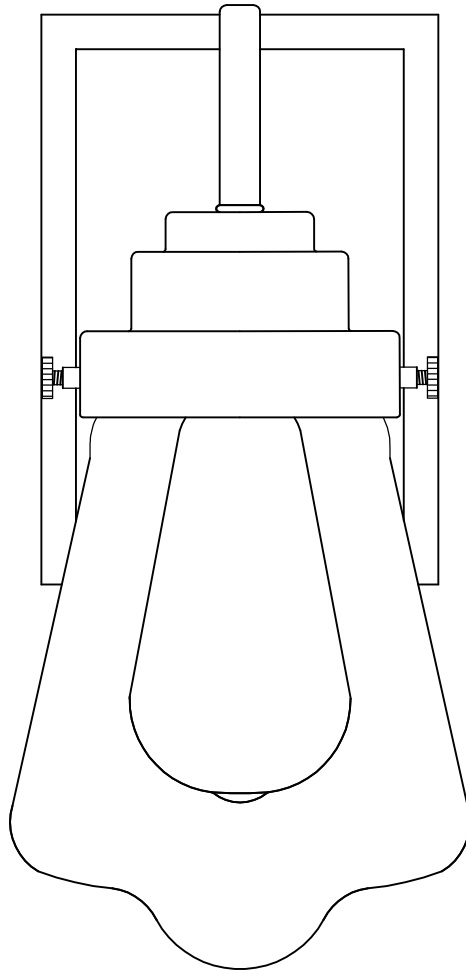




PRODUCT NAME: Cape Cod 1-Light Wall Sconce
ITEM NUMBER: 11331CLWZ

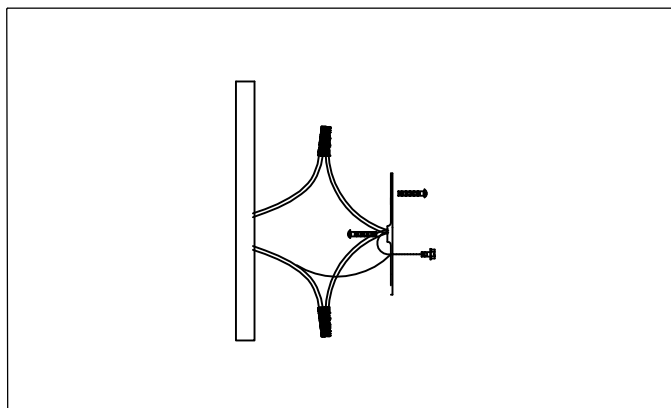
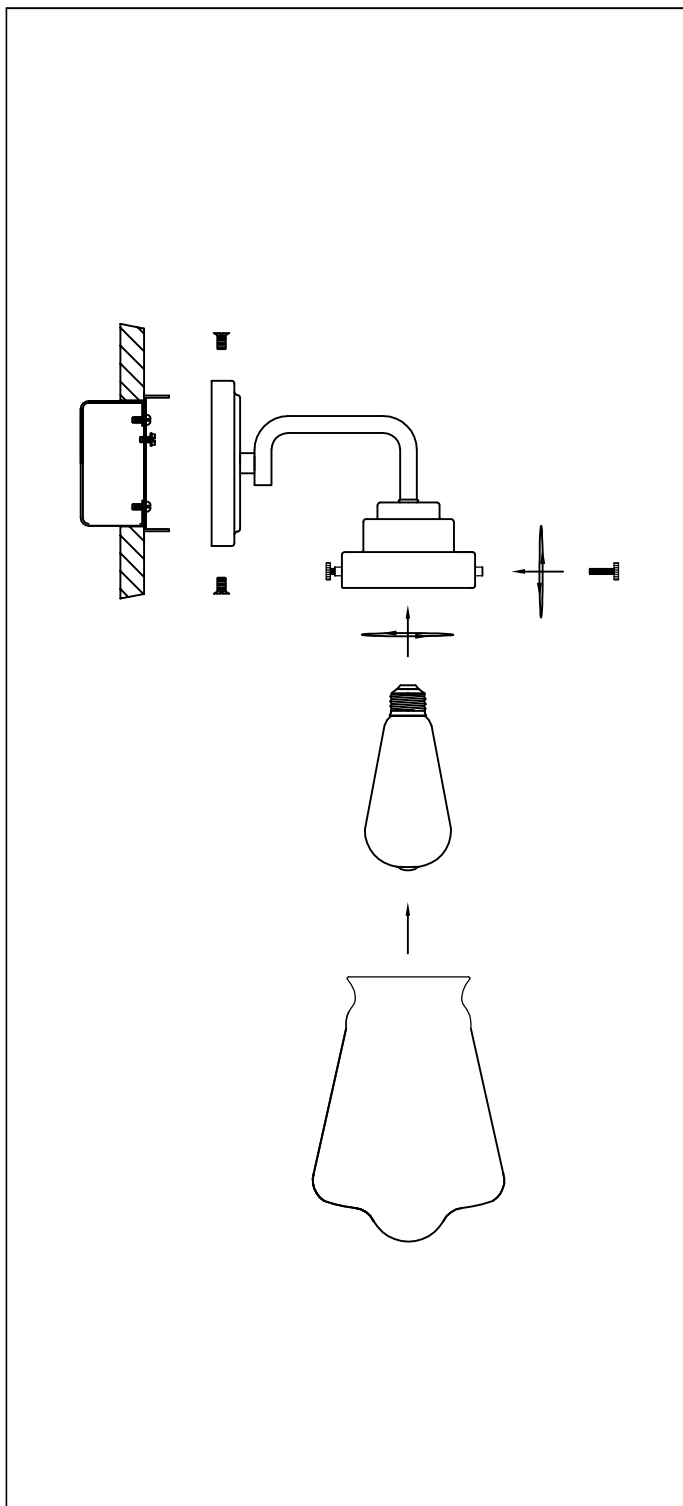
Please consult a qualified electrician for hanging fixture and wiring.



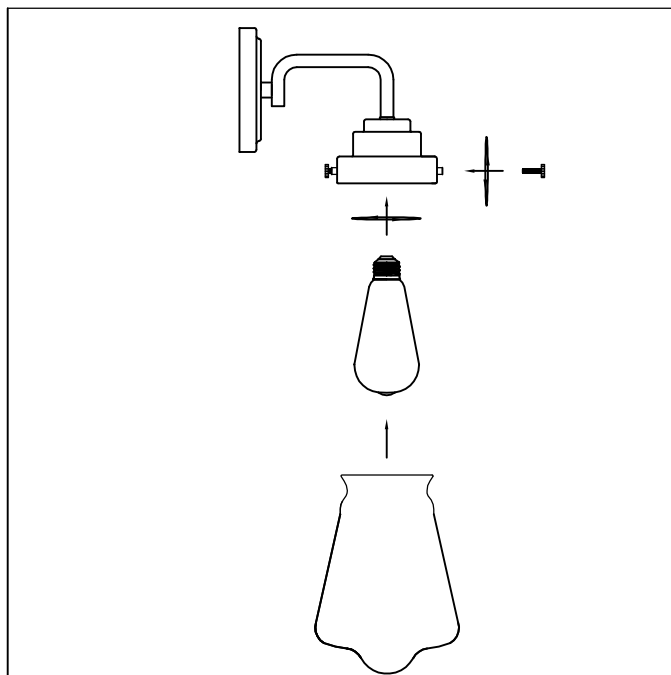
Bulb (not included): 1*60W E26 Bulb

IMPORTANT: Turn off the power at the main fuse or circuit breaker box before starting installation

Locate all hardware & components before discarding packaging



1. Remove mounting bracket from fixture and install to electrical box. Then wire fixture to wires in outlet box. Copper wire is for Ground.



2. Install 1 max 60W E26 bulb into socket.
3. Use locking screws to secure glass to cup.

Cleaning & Care:
Clean with soft cloth and a mild detergent.
Do not use abrasive cleaner