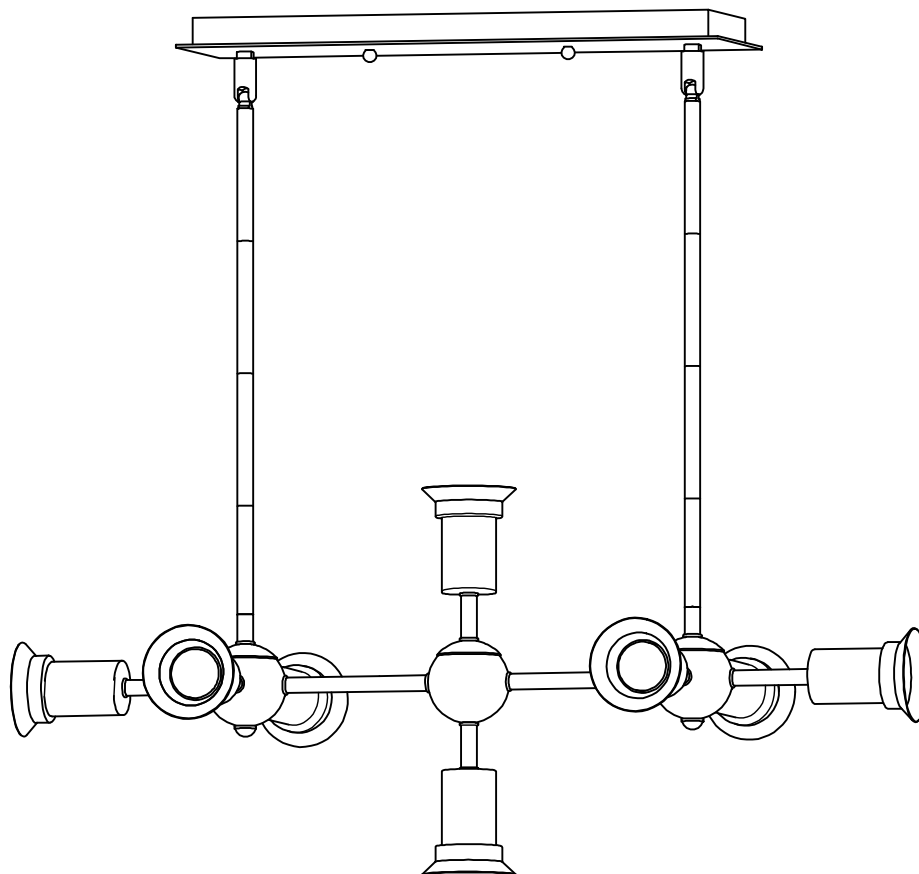




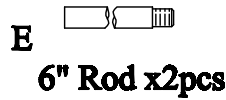
**PRODUCT NAME: Molecule 8-Light Pendant**  
**ITEM NUMBER: 11348**

**Please consult your electrician for hanging fixture and wiring.**

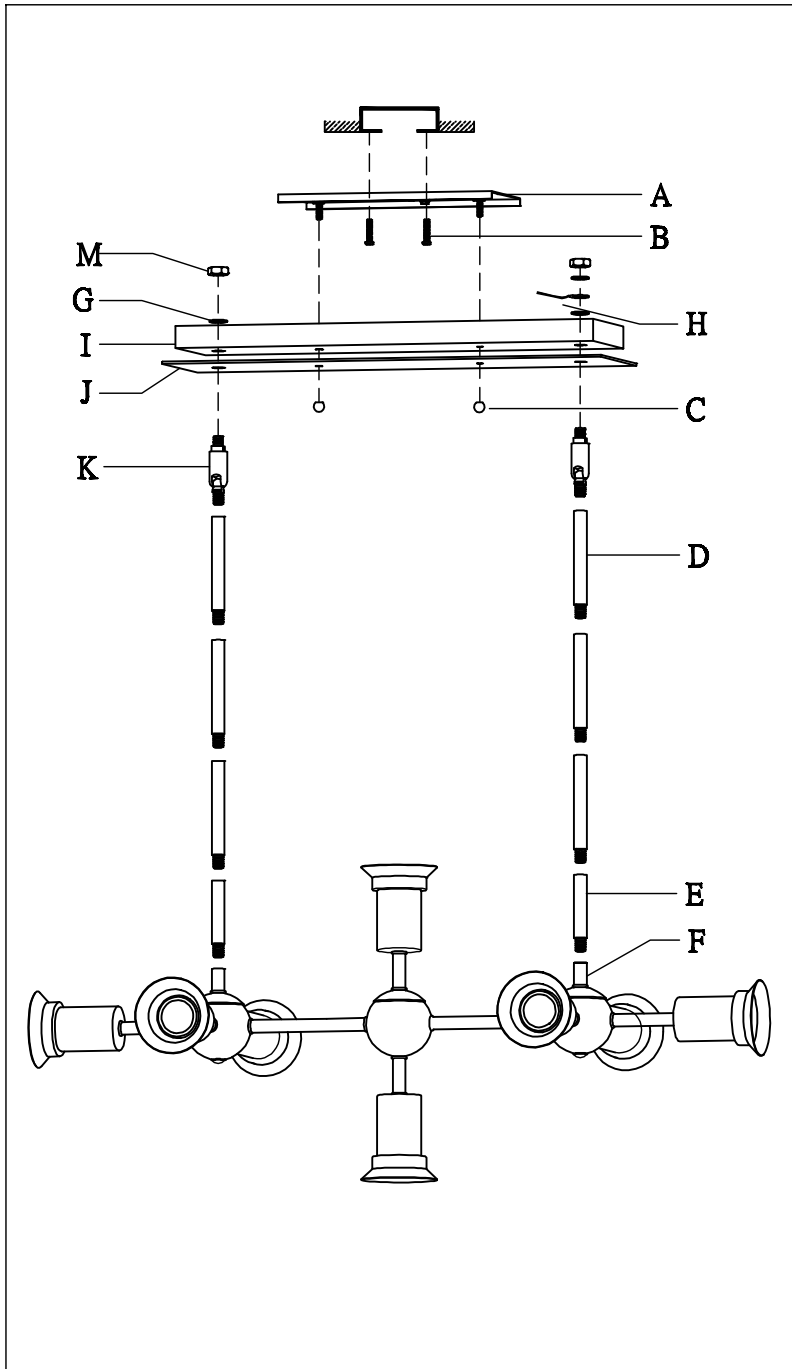


**Bulb(not included): 8-60 Watt G40 Bulbs**

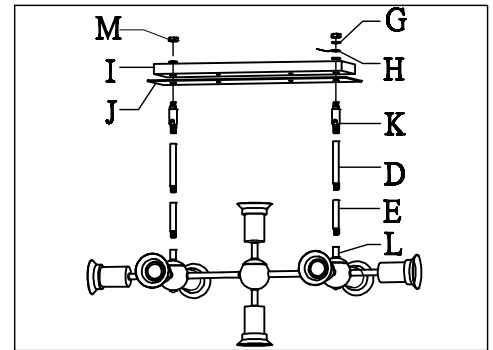
**IMPORTANT:** Turn off the power at the main fuse or circuit breaker box before starting installation



**Locate all hardware & components before discarding packaging**



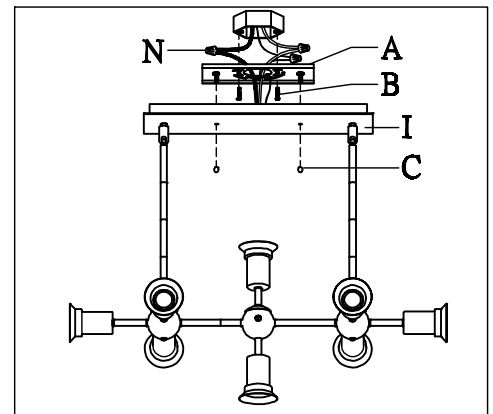
1.)



**Step 1.**

Run wire through stems and combine stem lengths to meet desired mounting height. , and install the swivel(K), satinsteel(J), canopy(I) on the rod(D), then secured by metal washer(H) and hex nut(M).

2.)



**Step2.**

Remove mounting bracket from fixture and install to electrical box.  
Wire fixture to wires in outlet box.  
Green wire is for Ground.  
Install fixture to bracket and tighten Ball nut(C) on the bottom of the canopy to secure.

**Cleaning & Care:**

Clean with soft cloth and a mild detergent.  
Do not use abrasive cleaner. Page 2 of (2)