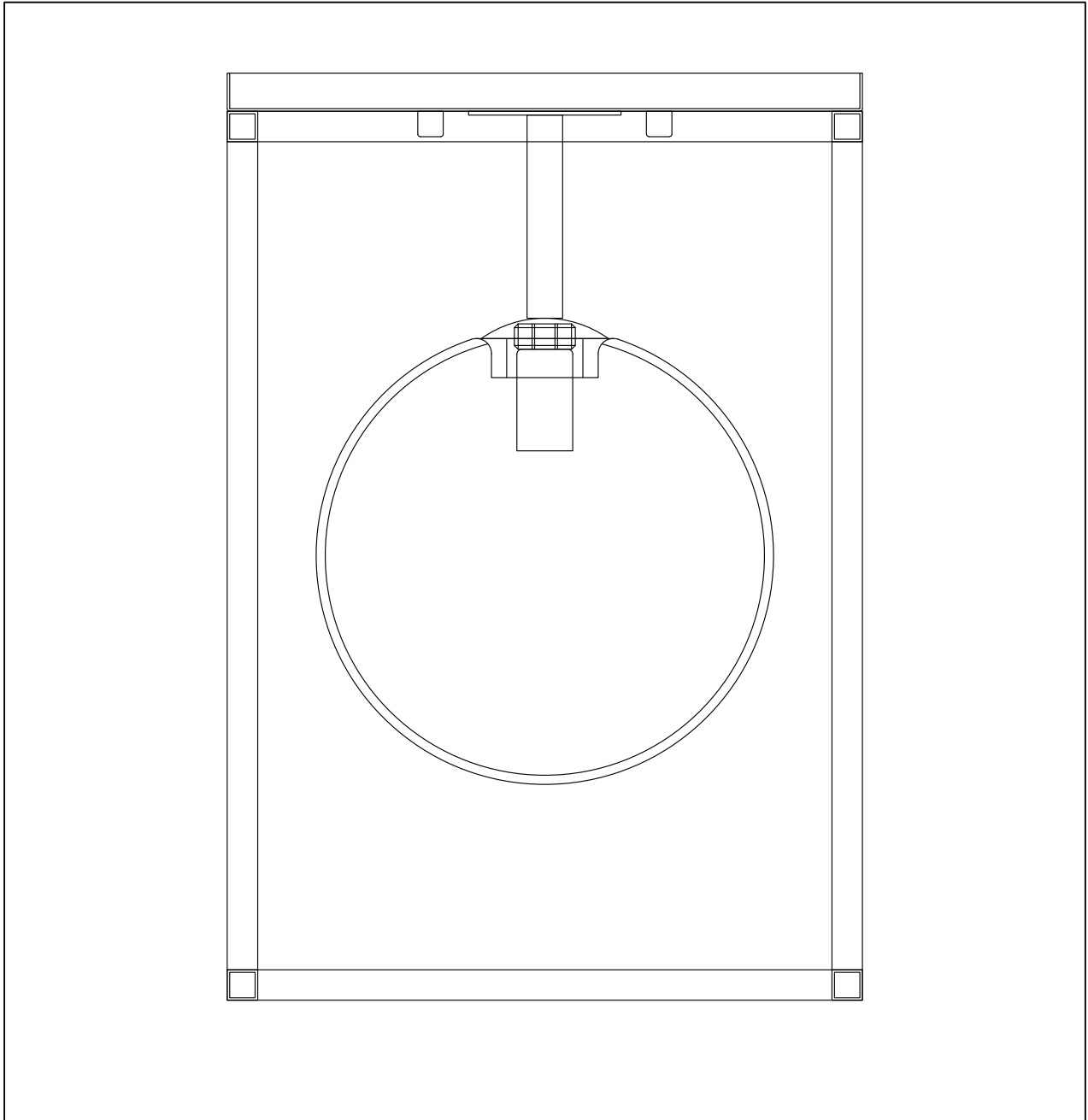




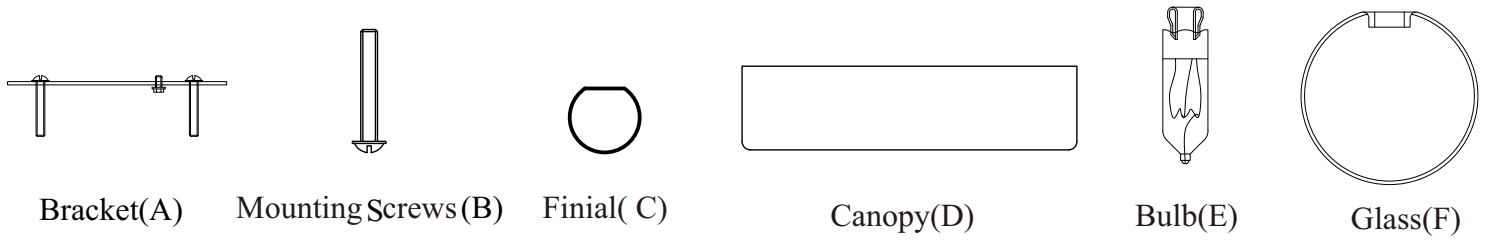
PRODUCT NAME: Fluid LED 1-Light Flush Mount  
ITEM NUMBER: 11360

Please consult your electrician for hanging fixture and wiring.

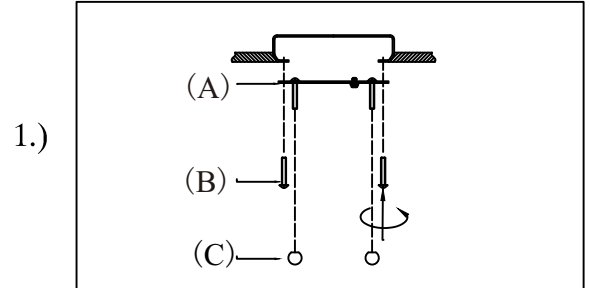
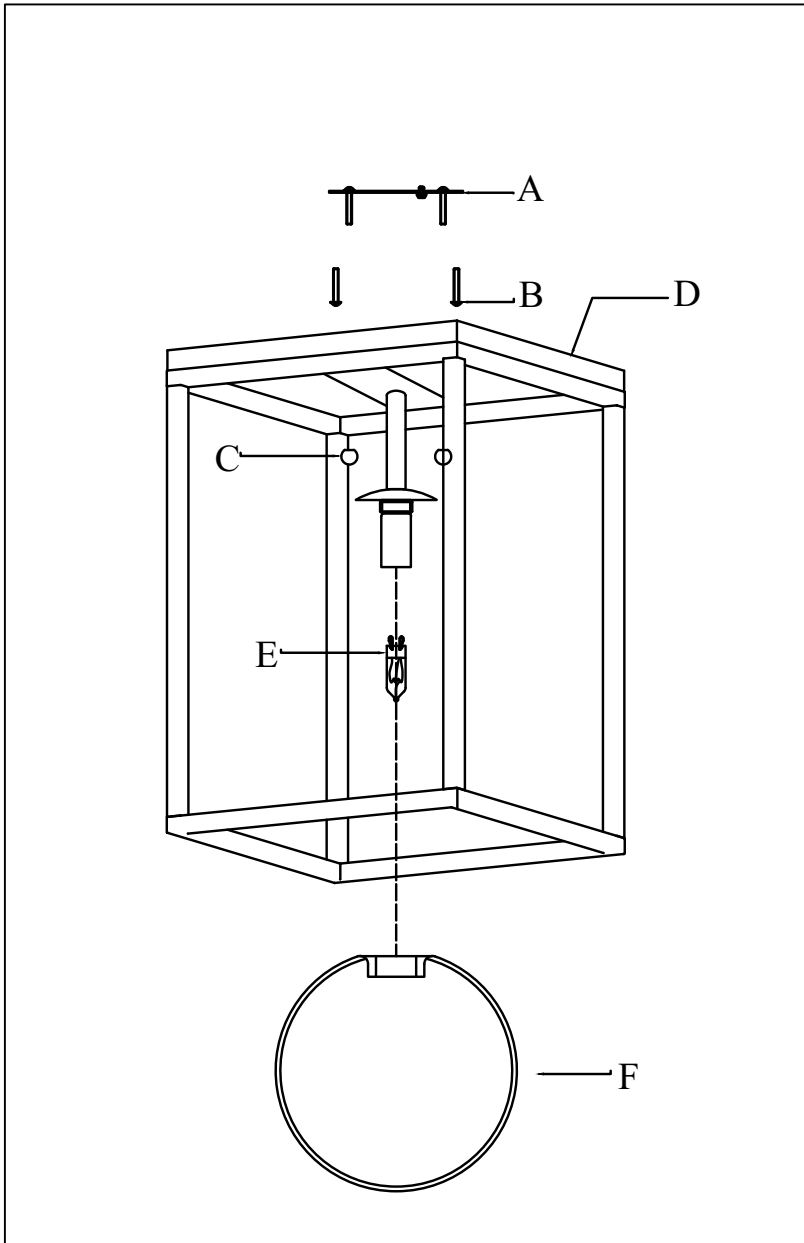


Bulbs ( Included ): G9 1\*4W

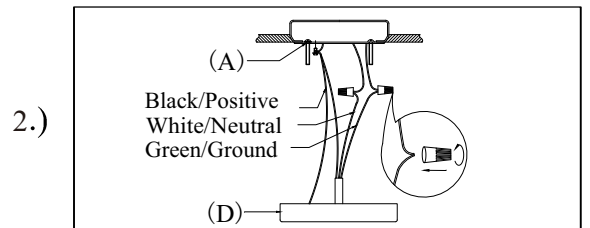
**IMPORTANT:** Turn off the power at the main fuse or circuit breaker box before starting installation



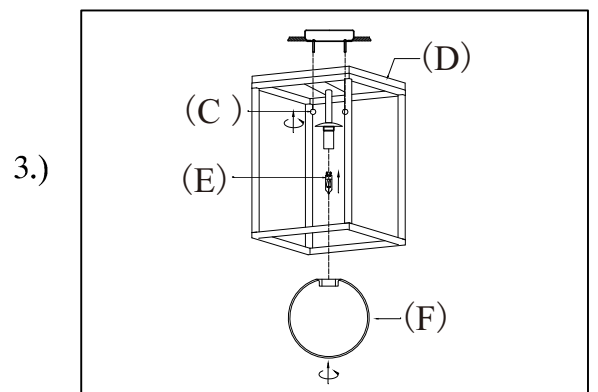
Locate all hardware & components before discarding packaging



1.) Step1 :Remove mounting bracket from fixture and install to electrical box.



2.) Step2 :Wire fixture to wires in outlet box. Green wire is for Ground.



3.) Step3 : Install fixture to the bracket using ball nuts on the canopy. Install bulb provided into socket and thread the glass onto socket.

**Cleaning & Care:**  
Clean with soft cloth and a mild detergent.  
Do not use abrasive cleaner.