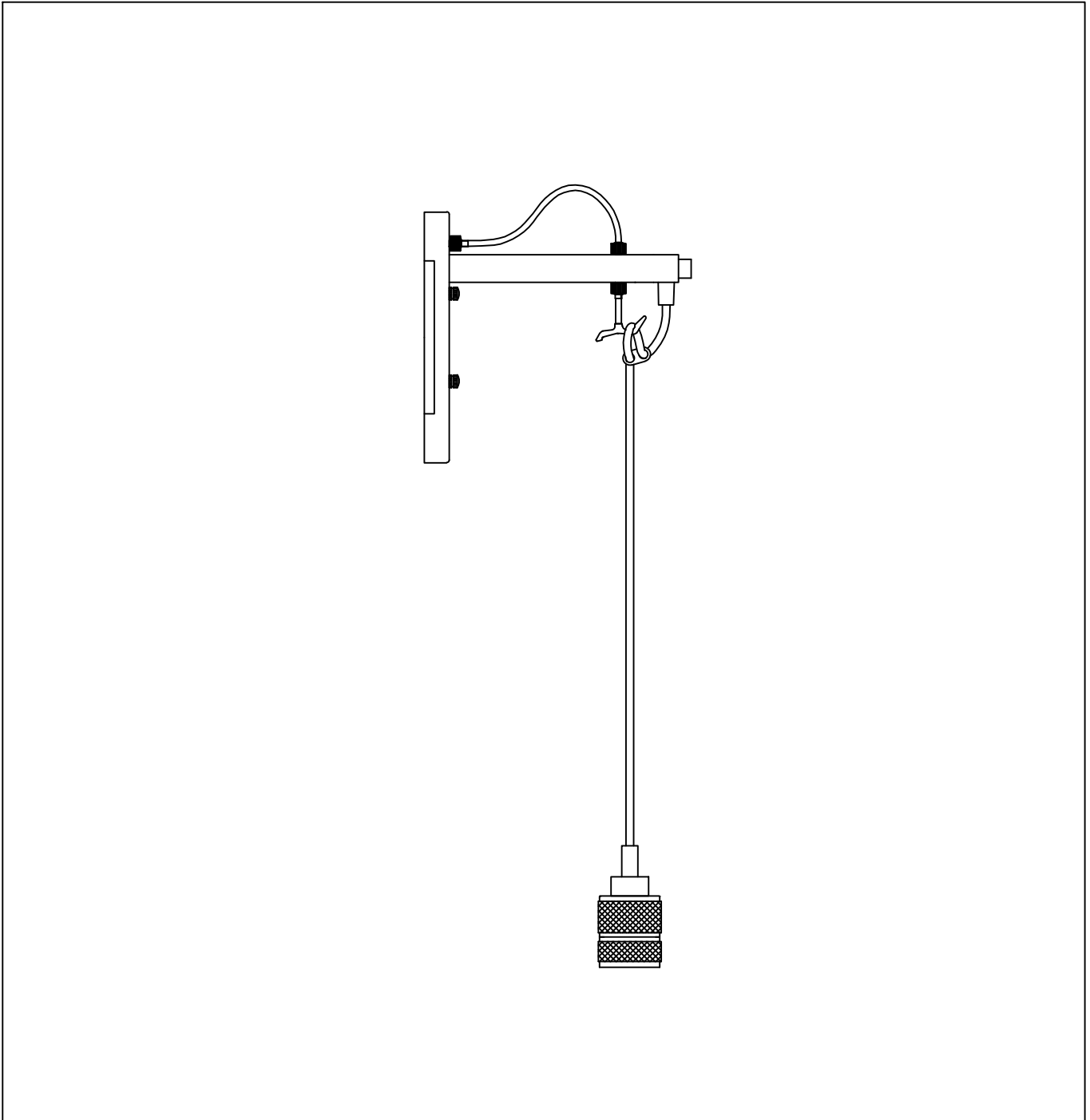




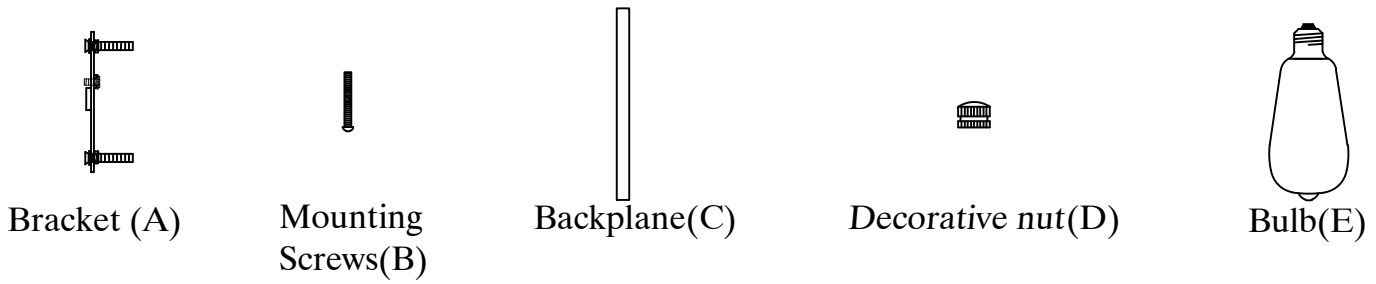
PRODUCT NAME: Swagger 1LT Wall
ITEM NUMBER: 12143

Please consult your electrician for hanging fixture and wiring.

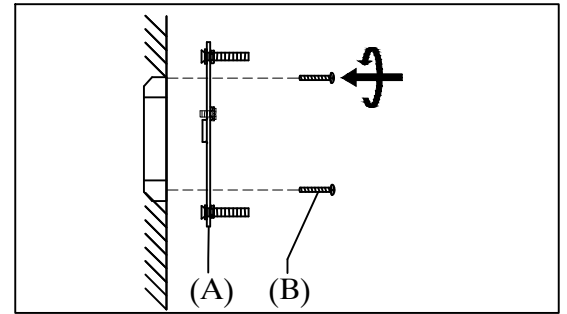
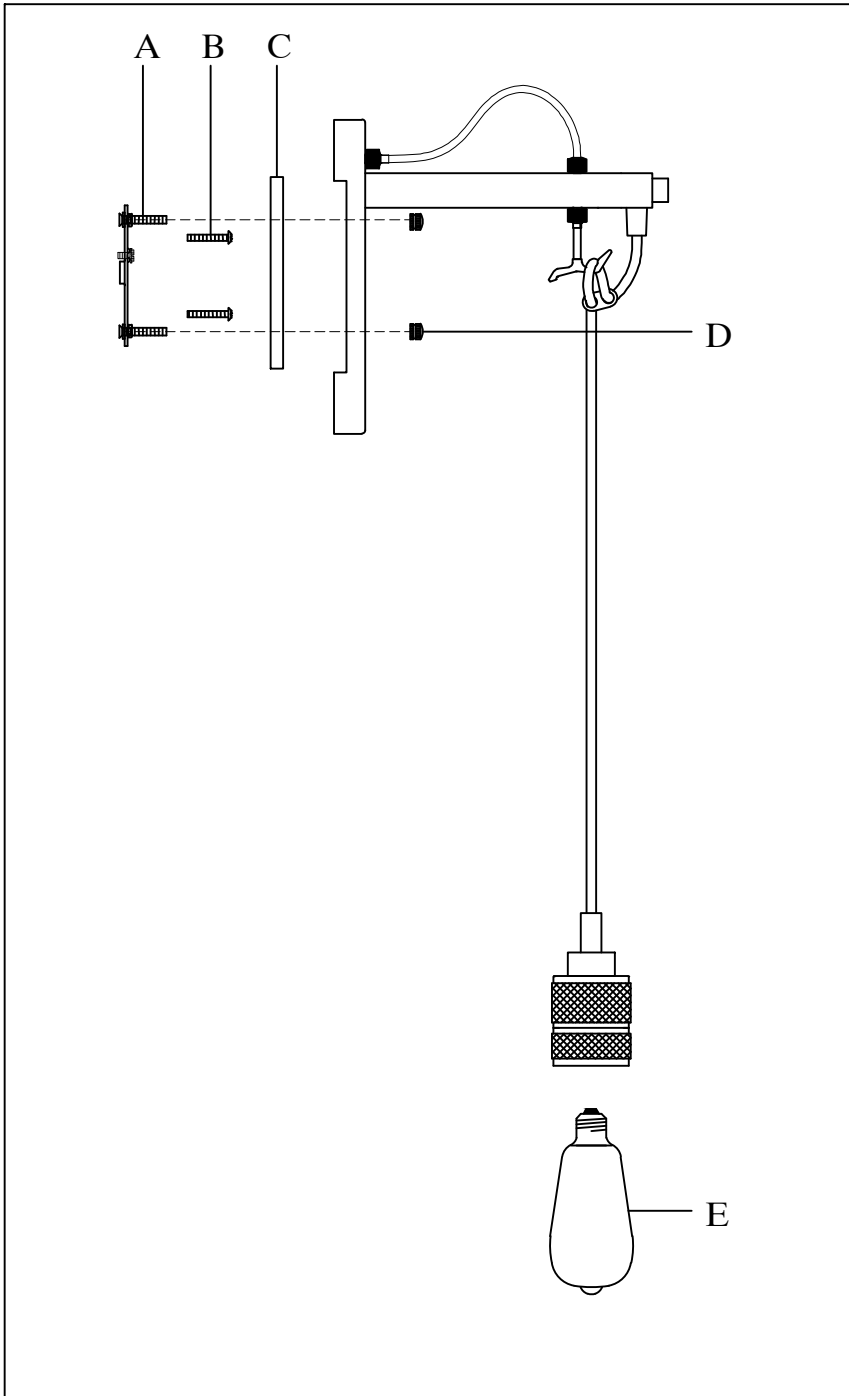


Bulbs (Not included):1* E26*60W

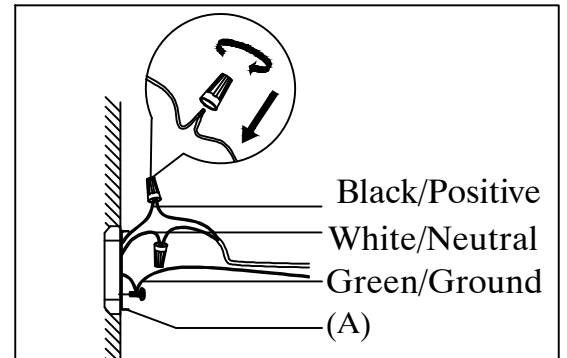
IMPORTANT: Turn off the power at the main fuse or circuit breaker box before starting installation



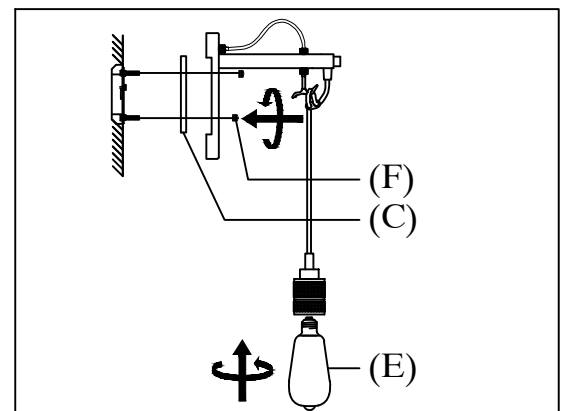
Locate all hardware & components before discarding packaging



Step1 :Remove mounting bracket from fixture and install to electrical box.



Step2 :Wire fixture to wires in outlet box. Green wire is for Ground.



Step3 :Install fixture to bracket and tighten screws at the ends of the canopy to secure. Install bulb into socket.

Cleaning & Care:
Clean with soft cloth and a mild detergent.
Do not use abrasive cleaner.