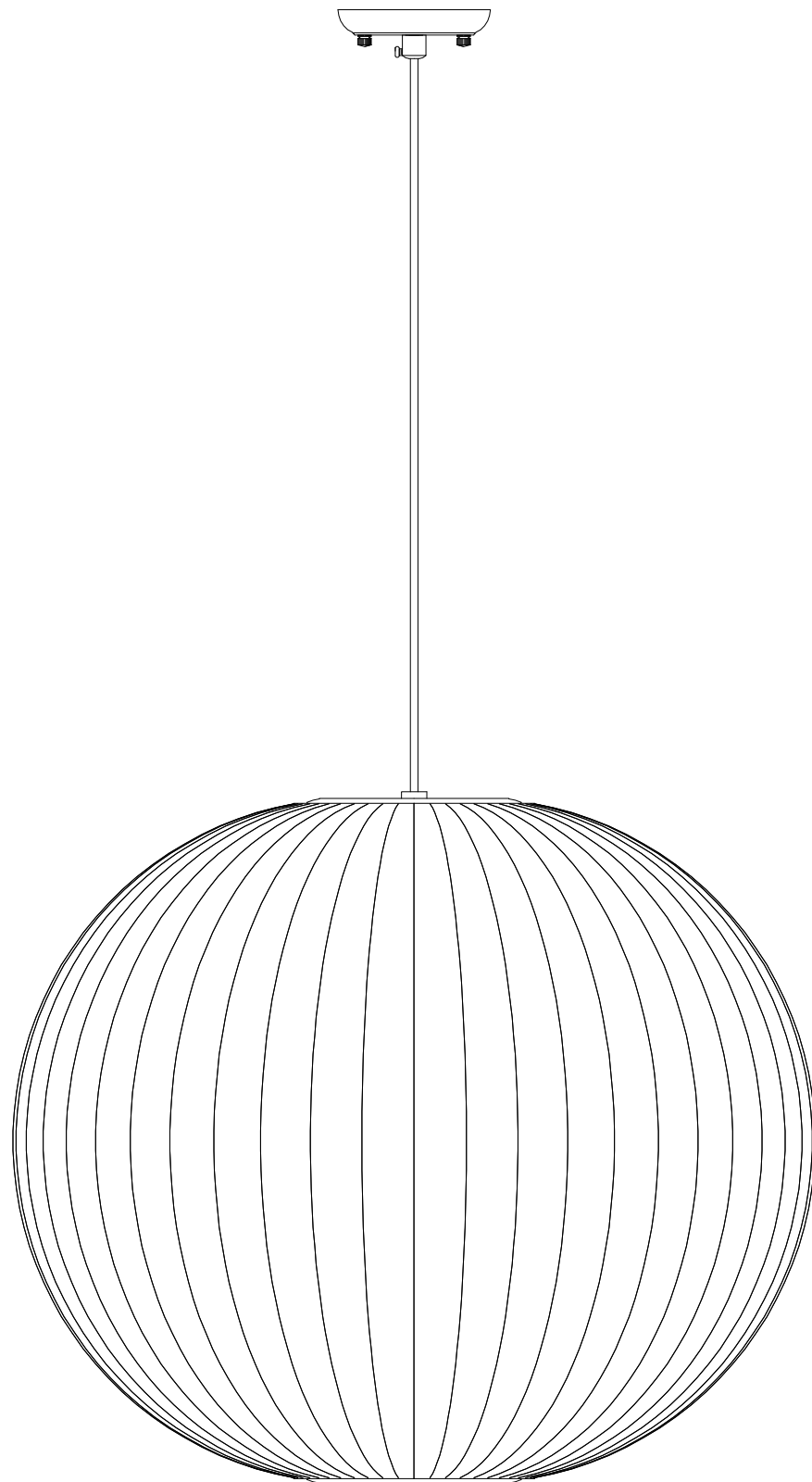




PRODUCT NAME: Cocoon
ITEM NUMBER: 12189WTPC

Please consult your electrician for hanging fixture and wiring.

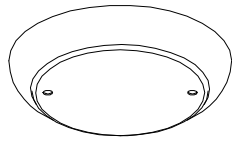


E26 1X60W

IMPORTANT: Turn off the power at the main fuse or circuit breaker box before starting installation



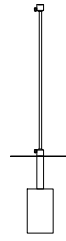
Bracket (A)



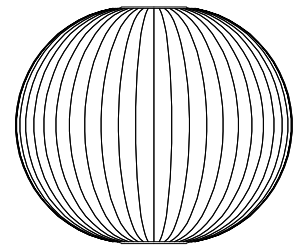
Canopy (B)



Finial (C)

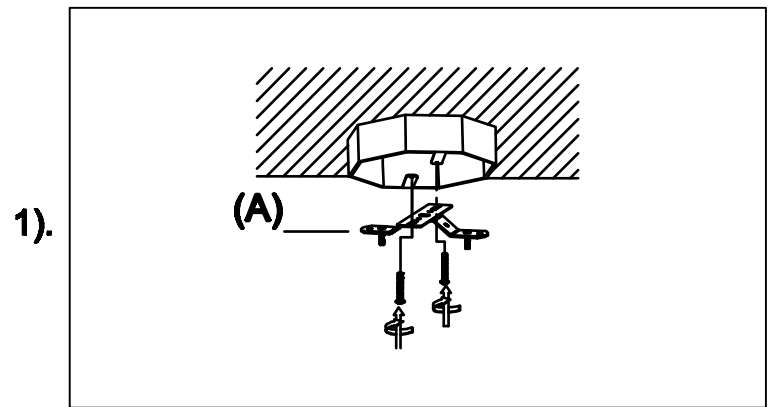
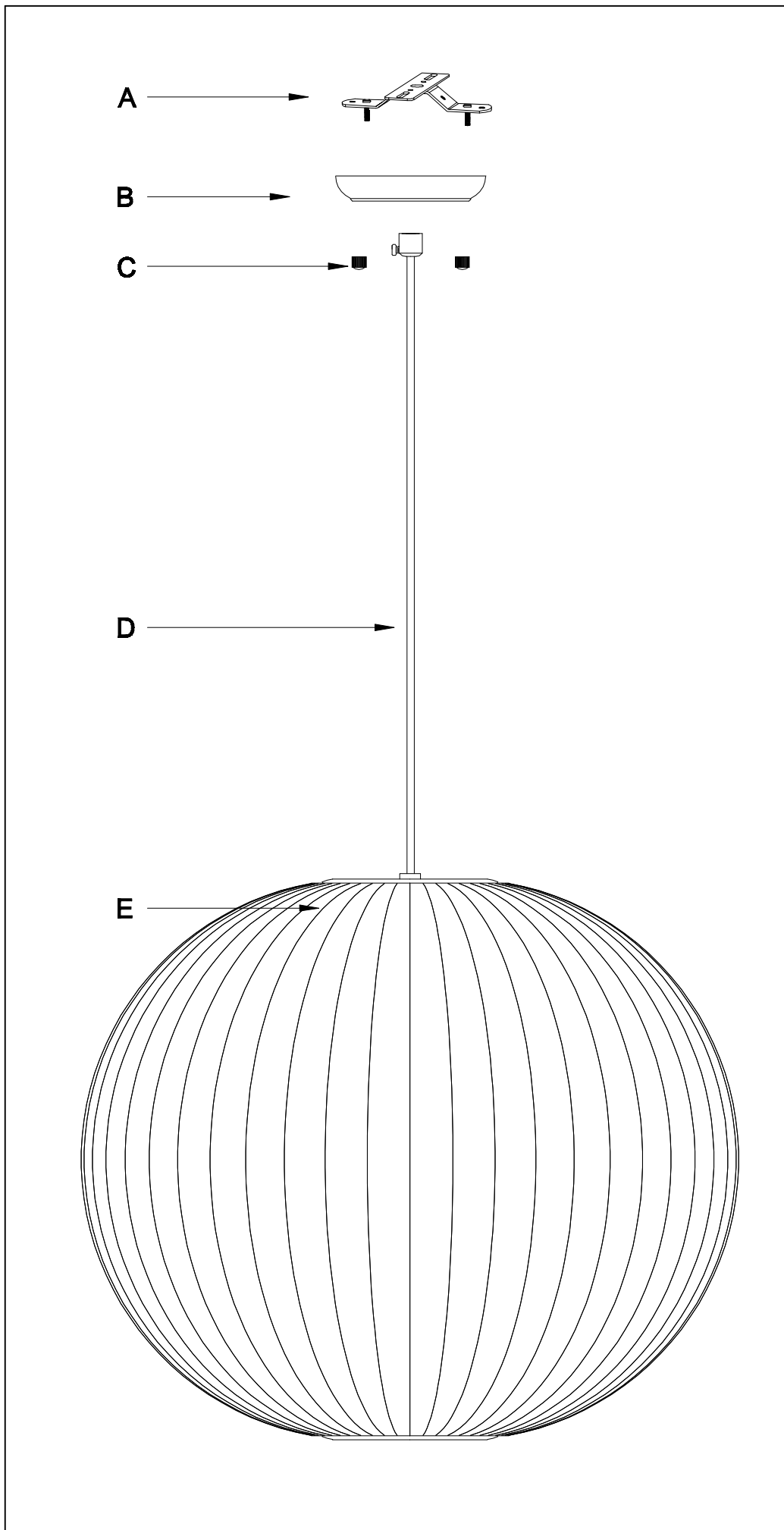


Body (D)



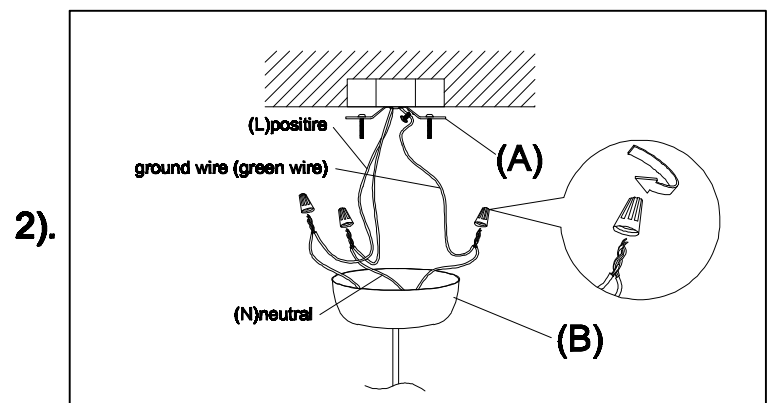
Shade (E)

Locate all hardware & components before discarding packaging



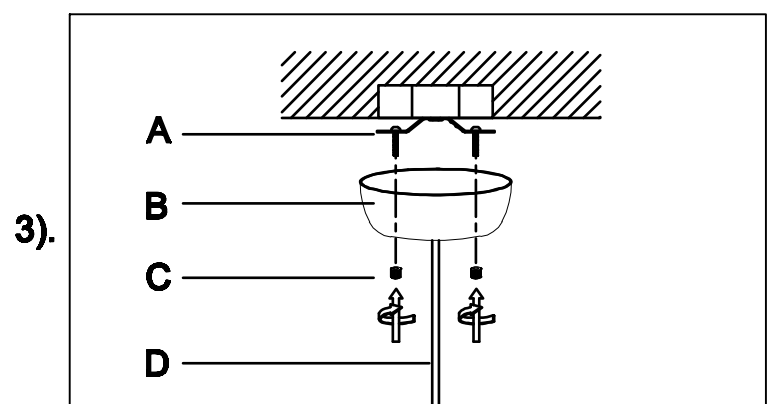
1.

Step.1: Remove mounting bracket(A) from fixture and install to electrical box.



2.

Step.2: Wire fixture to wires in outlet box. Green wire is for Ground.



3.

Step.3: Adjust cable length to desired mounting height, and tighten strain relief screws to secure. Install body(C) to bracket(A) and tighten finial(C) on the canopy(B) to secure.

Cleaning & Care:

Clean with soft cloth and a mild detergent.
Do not use abrasive cleaner.