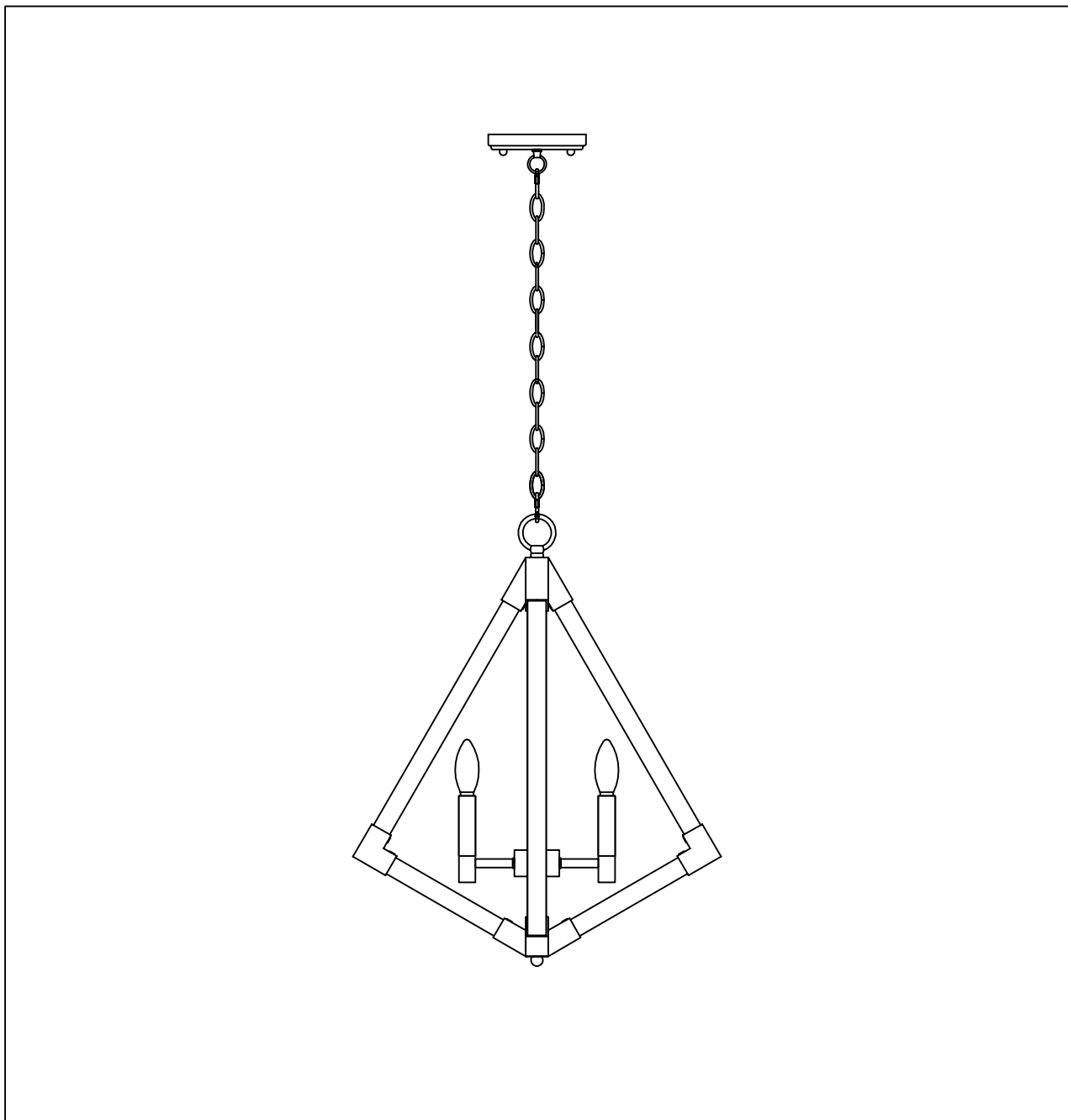




PRODUCT NAME: Vector 4LT Pendant
ITEM NUMBER: 12252WOAB

Please consult your electrician for Hang fixture and wiring.



Bulb(not included): 4*CA 60W

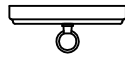
IMPORTANT: Turn off power at the main fuse or circuit breaker box before starting installation



(A) Bracket



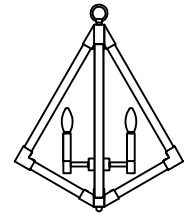
(B) Ball nut



(C) Canopy

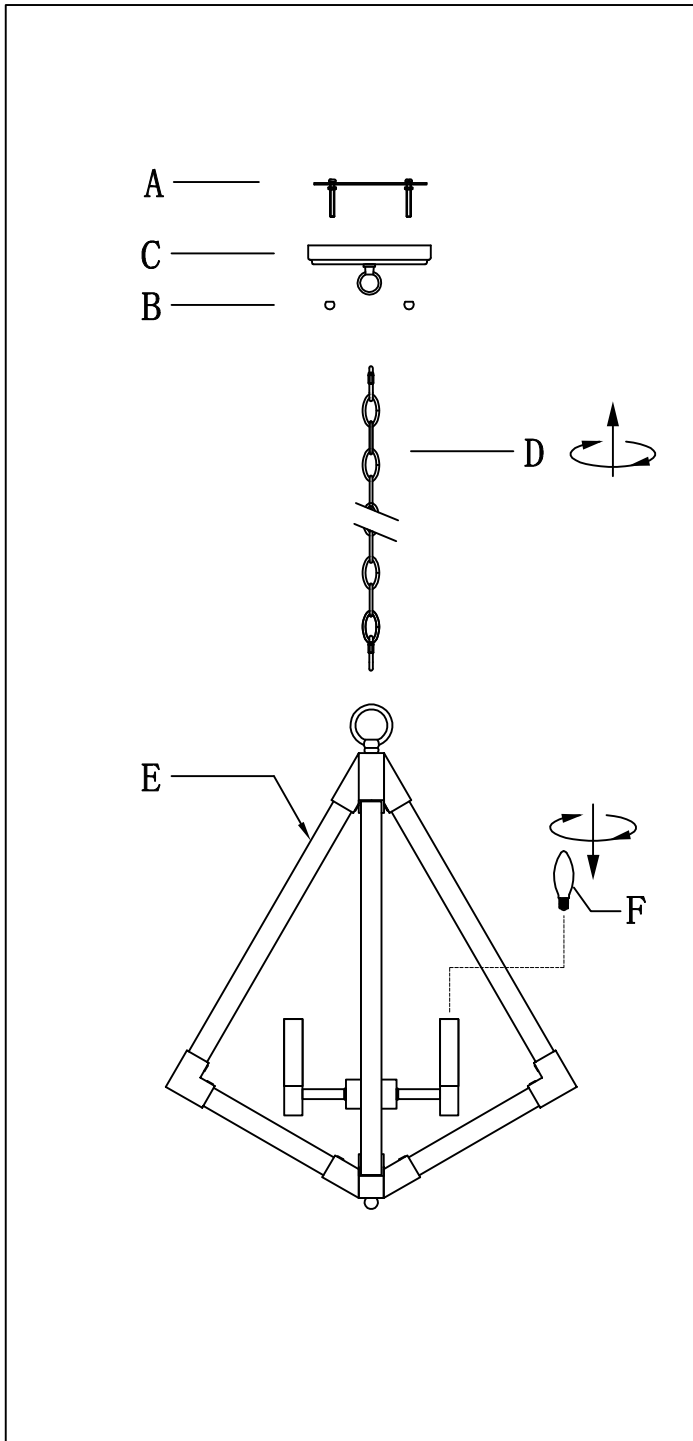


(D) Chain

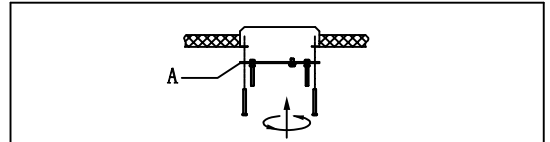


(E) Body

Locate all hardware & components before discarding packaging

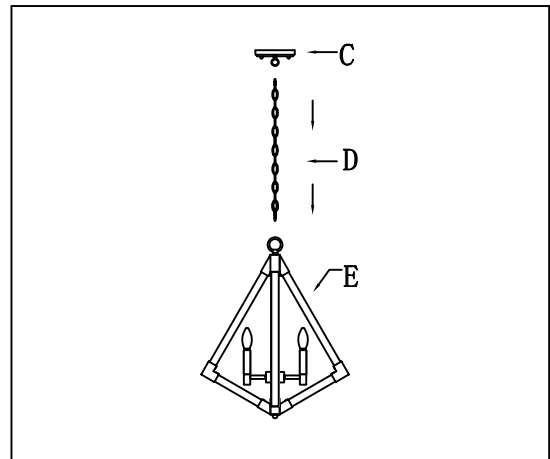


1.)



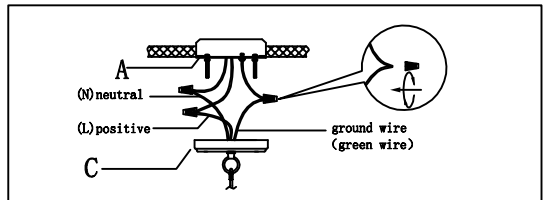
Step. 1: Remove mounting bracket (A) from fixture and install to electrical box.

2.)



Step. 2: Attach appropriate amount of chain to loop to achieve desired mounting height. Thread wire through every 3rd loop of chain.

3.)



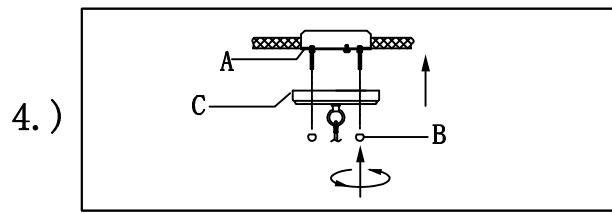
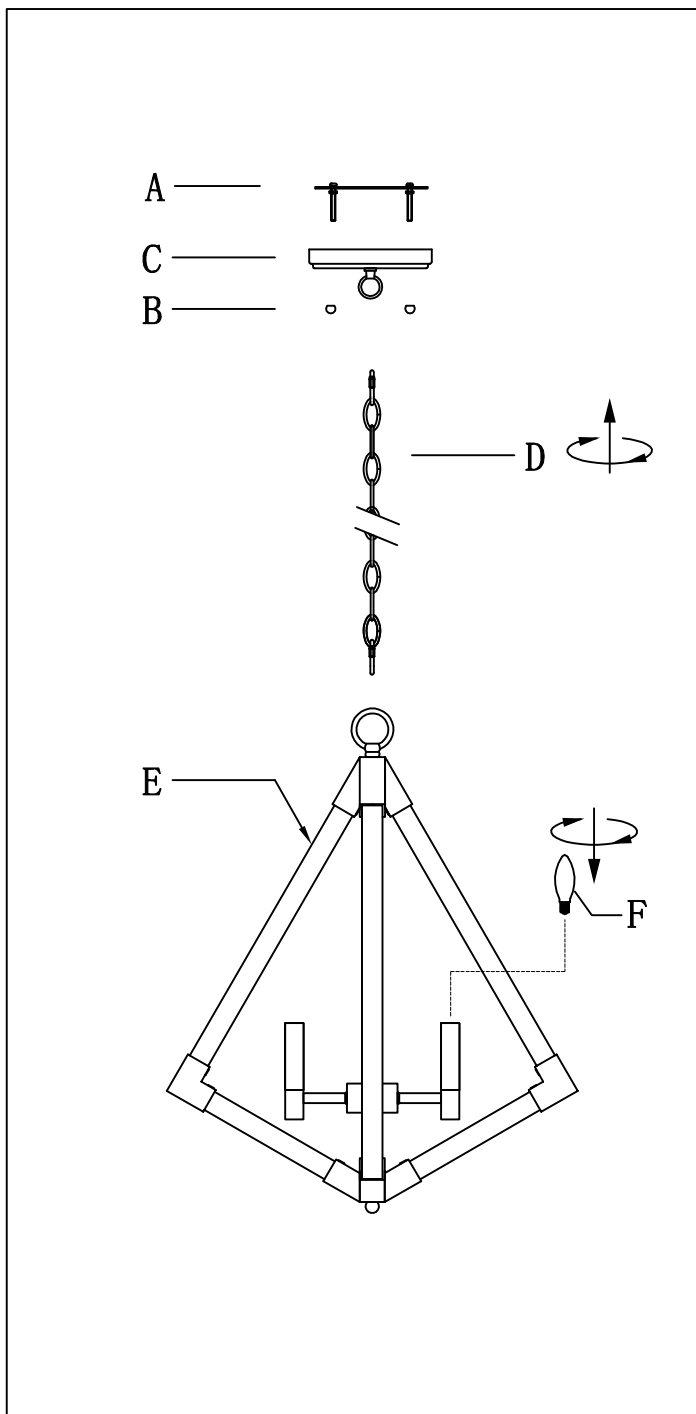
Step. 3: Wire fixture to wires in outlet box. Copper/Green wire is for Ground.

Cleaning & Care:

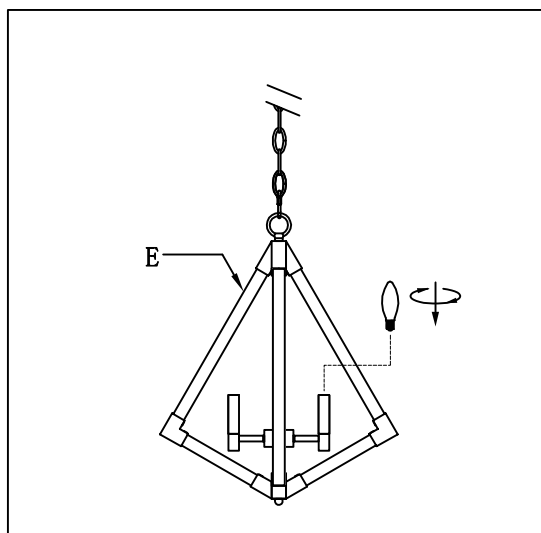
Clean with soft cloth and a mild detergent.
Do not use abrasive cleaner.

IMPORTANT: Turn off power at the main fuse or circuit breaker box before starting installation

Locate all hardware & components before discarding packaging



Step. 4: Install fixture to bracket and tighten ball nuts (B) on the canopy to secure.



Step. 5: Install the bulb.

Cleaning & Care:

Clean with soft cloth and a mild detergent.
Do not use abrasive cleaner.