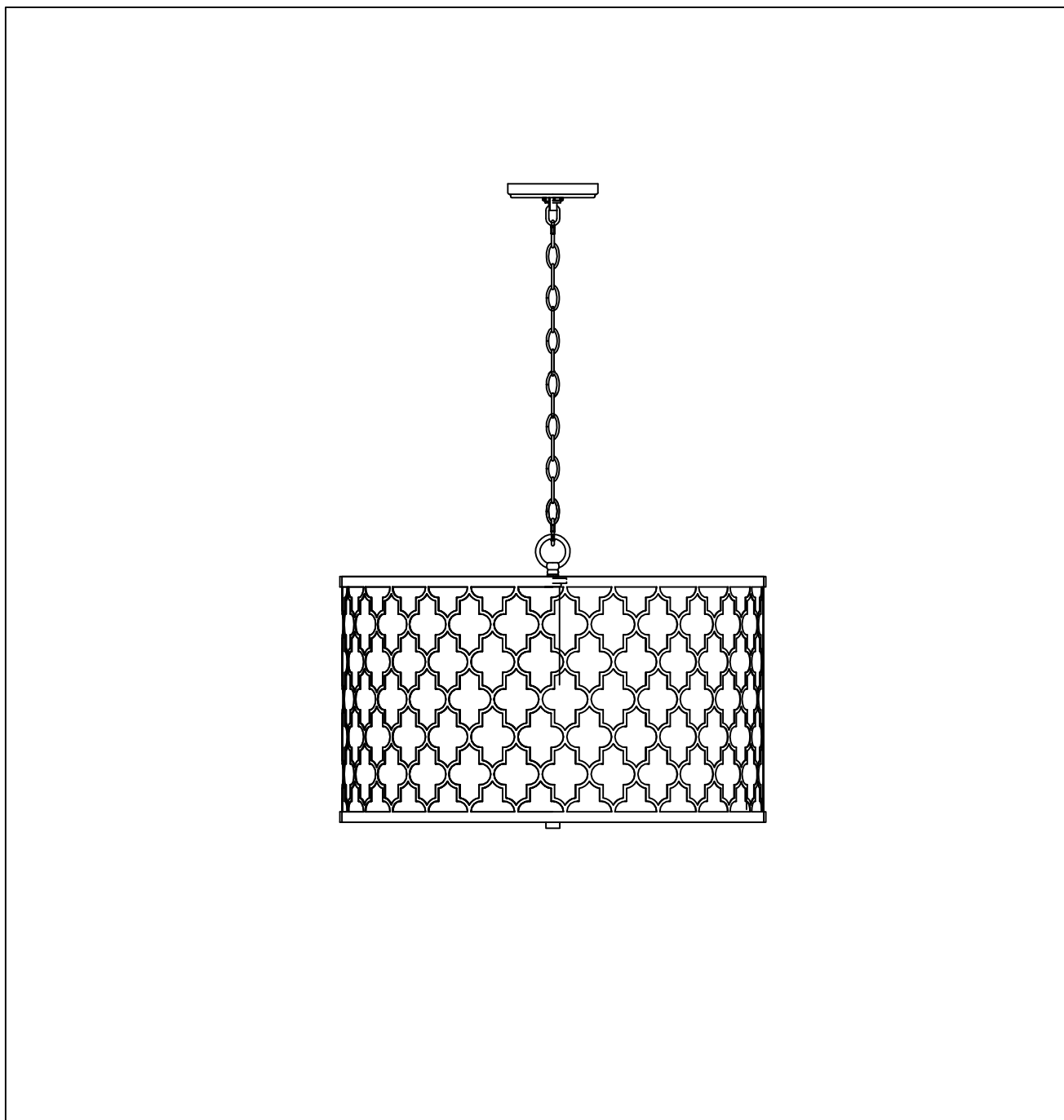




PRODUCT NAME: Crest 4LT Pendant

NUMBER: 20295

Please consult your electrician for Hang fixture and wiring.

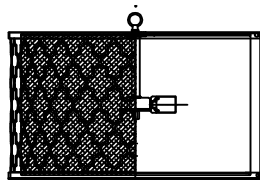


Bulb (Not included) : 4*MB 60W

IMPORTANT: Turn off power at the main fuse or circuit breaker box before starting installation



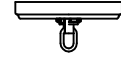
(A) Bracket



(A) Body



(C) Chain

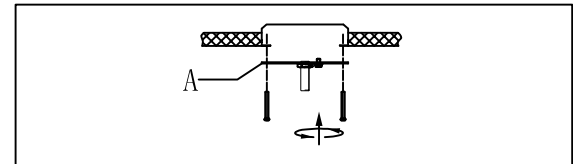
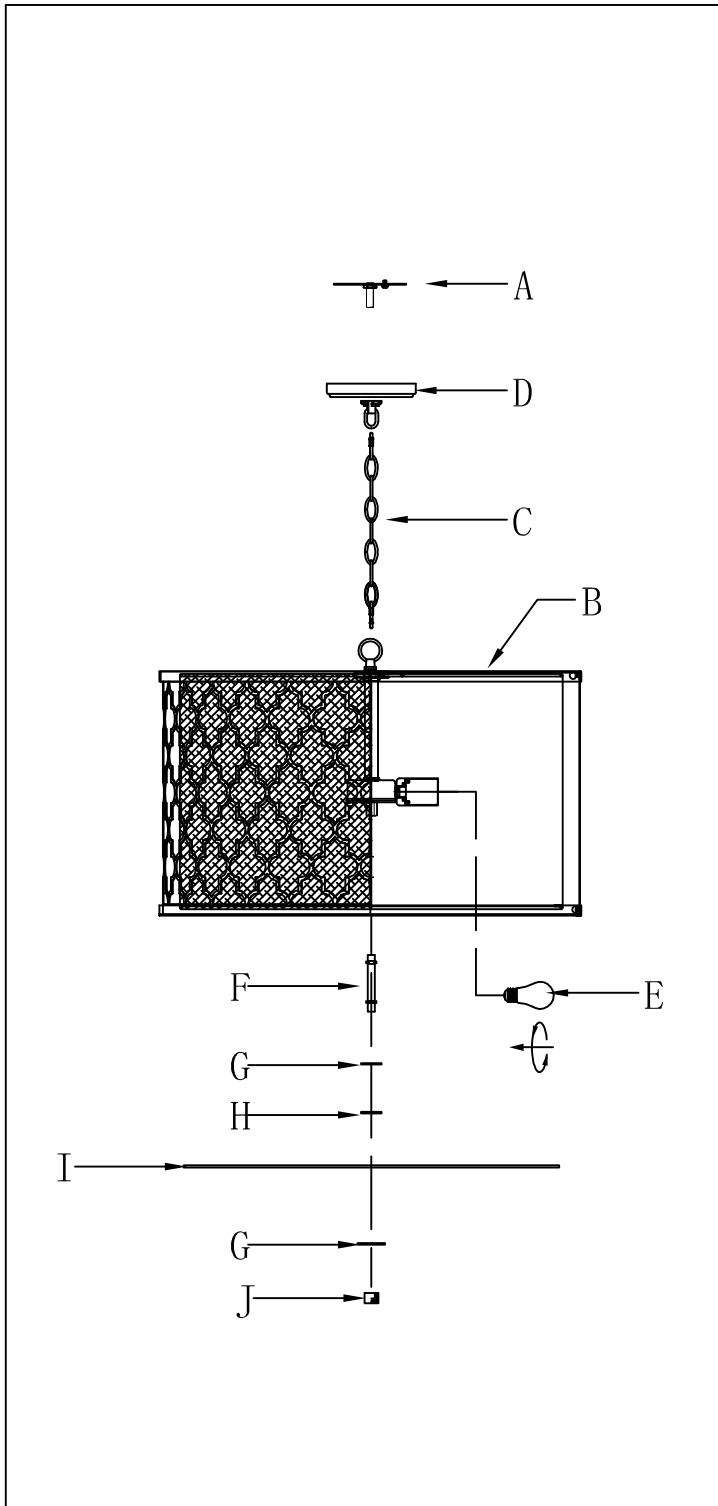


(D) Canopy



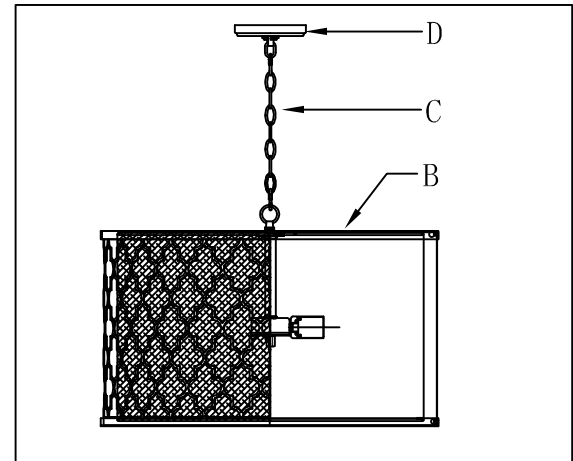
(E) bulb

Locate all hardware & components before discarding packaging



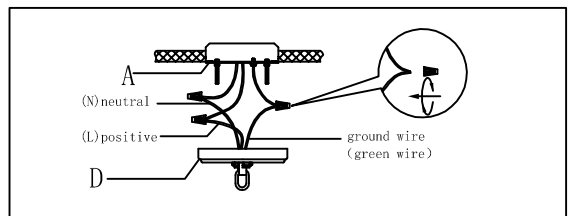
1.)

Step. 1: Remove mounting bracket (A) from fixture and install to electrical box.



2.)

Step. 2: Attach appropriate amount of chain to loop to achieve desired mounting height. Thread wire through every 3rd loop of chain.



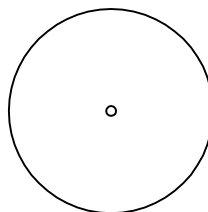
3.)

Step. 3: Wire fixture to wires in outlet box. Copper/Green wire is for Ground.

Cleaning & Care:

Clean with soft cloth and a mild detergent.
Do not use abrasive cleaner.

IMPORTANT: Turn off power at the main fuse or circuit breaker box before starting installation



(F) Stems

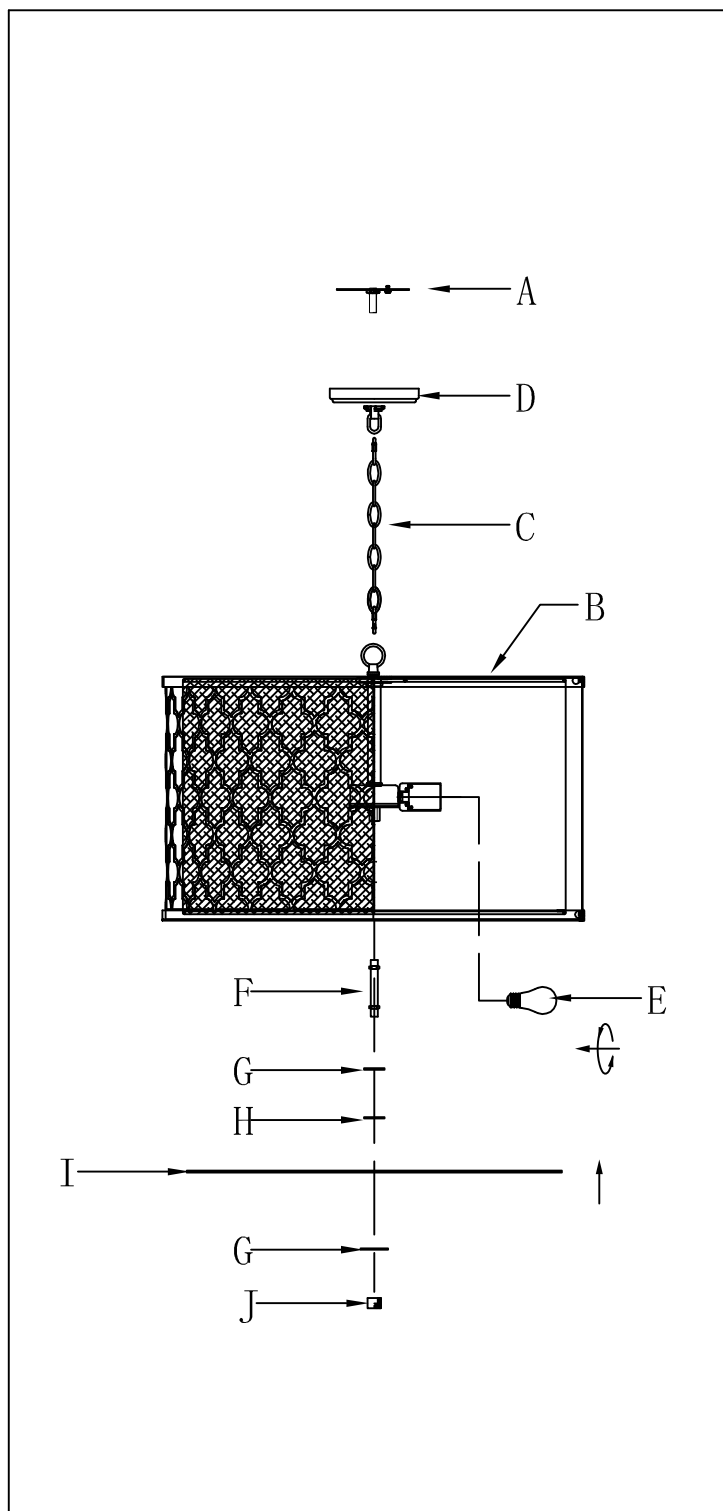
(G) Steel washer

(H) Plastic washer

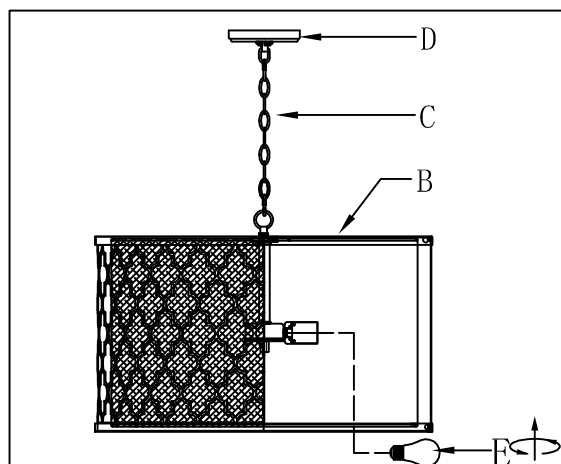
(I) Glass diffuser

(J) Ball nut

Locate all hardware & components before discarding packaging

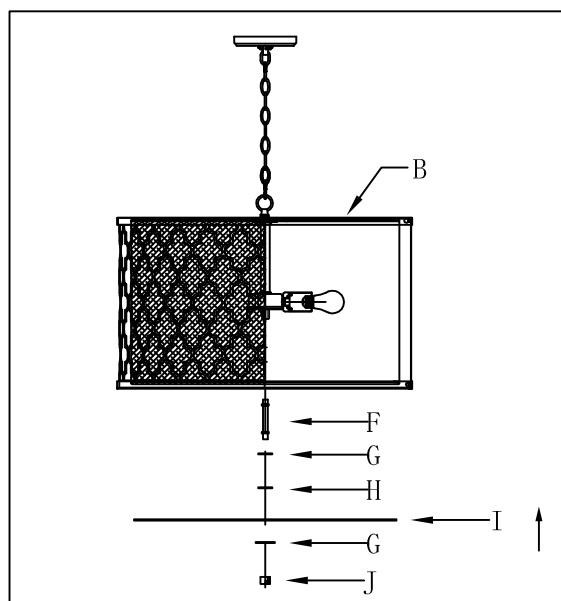


4.)



Step. 4: Install the bulb.

5.)



Step. 5: Attach threaded stem (F) to cluster. Add steel washer (G) then plastic washer (H) before attaching glass diffuser (I). Use steel washer (G) and threaded finial (J) to secure.

Cleaning & Care:

Clean with soft cloth and a mild detergent.
Do not use abrasive cleaner.