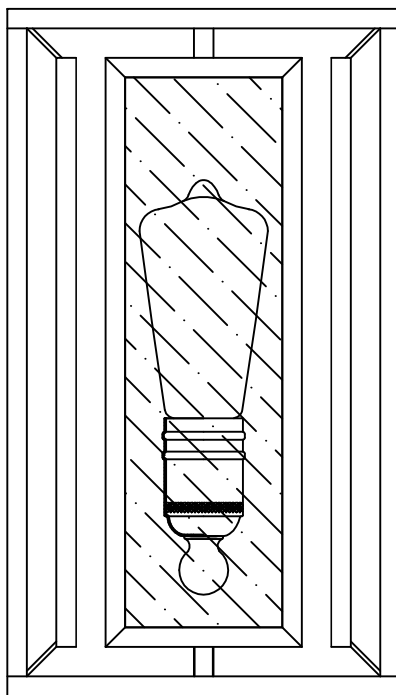




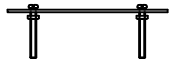
PRODUCT NAME: ERA
ITEM NUMBER: 21679

Please consult your electrician for hanging fixture and wiring.



Bulb(not included):1 Edison-style bulbs recommended

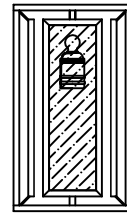
IMPORTANT: Turn off power at the main fuse or circuit breaker box before starting installation



(A) Bracket

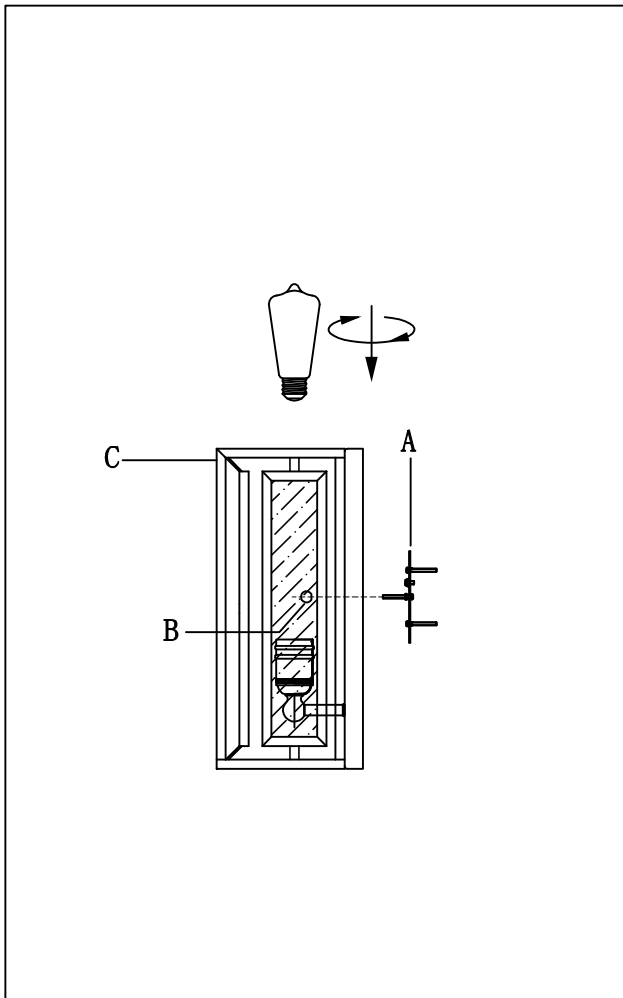


(B) Ball nut

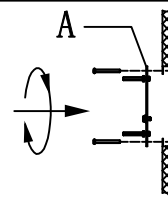


(C) Body

Locate all hardware & components before discarding packaging

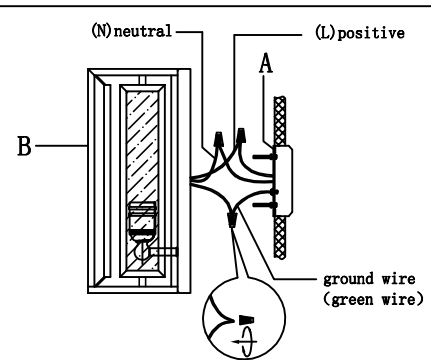


1.)



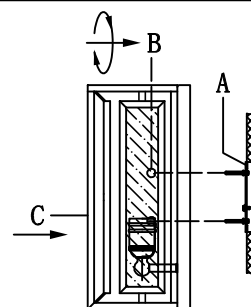
Step. 1: Remove mounting bracket (A) from fixture and install to electrical box.

2.)



Step. 2: Wire fixture to wires in outlet box. Copper/Green wire is for Ground.

3.)



Step. 3: Install fixture to bracket (A) and tighten ball nuts (B) on the backplate to secure.

Cleaning & Care:

Clean with soft cloth and a mild detergent.
Do not use abrasive cleaner.