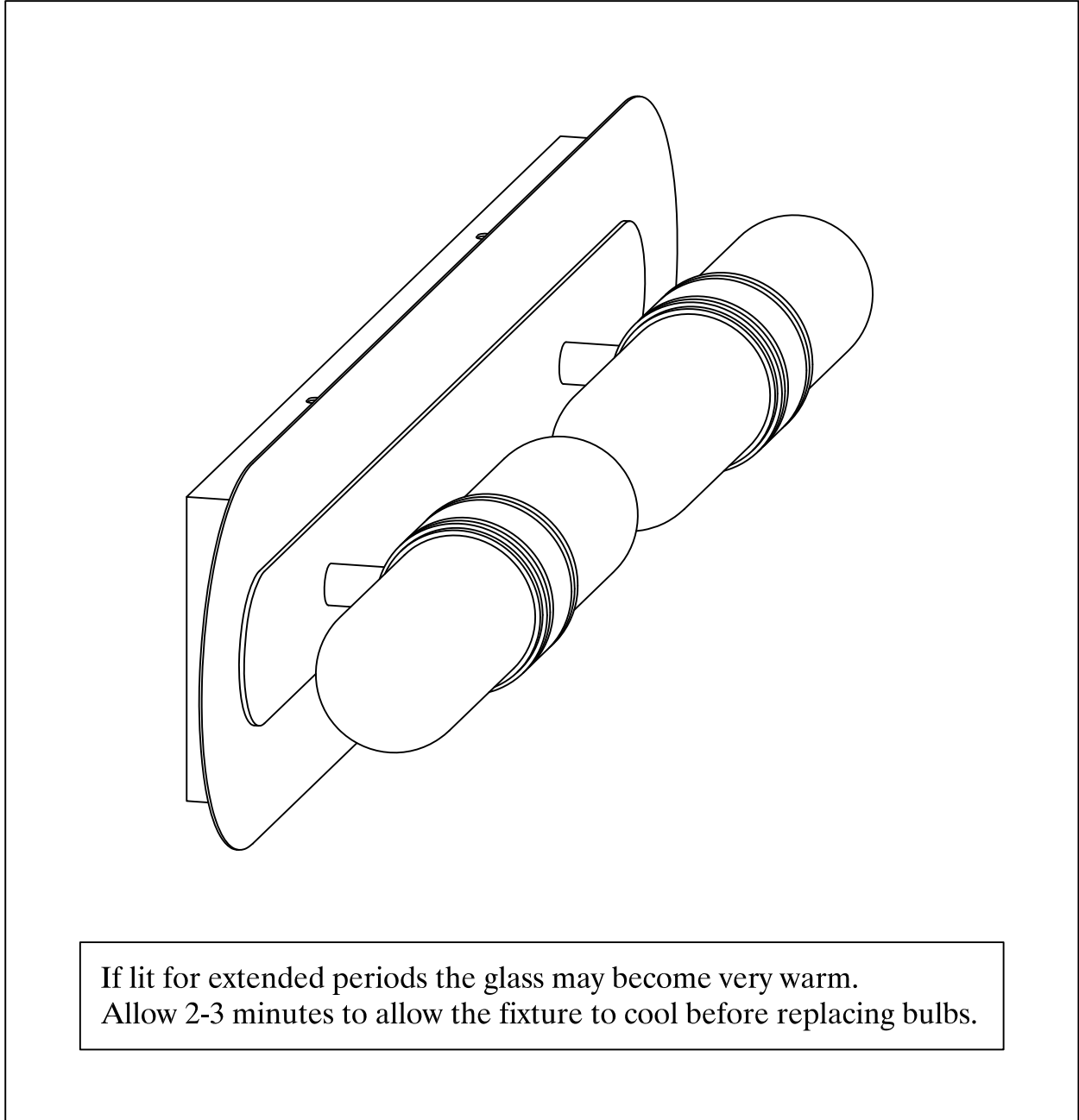




PRODUCT NAME: Dual  
ITEM NUMBER: 21704CLBKAL

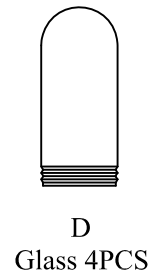
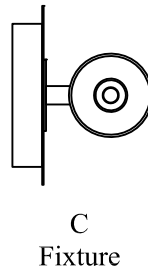
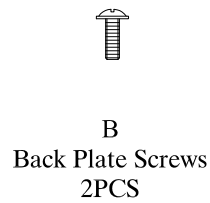
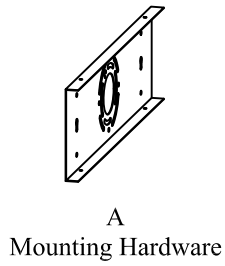
Please consult your electrician for hanging fixture and wiring.



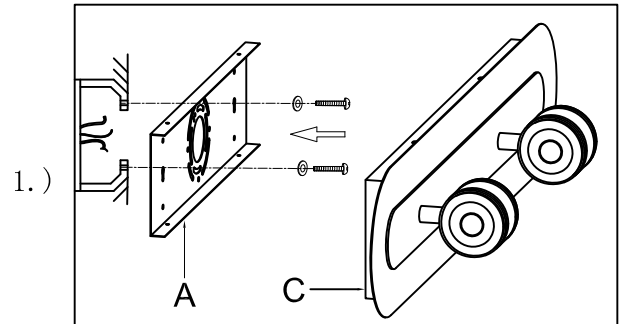
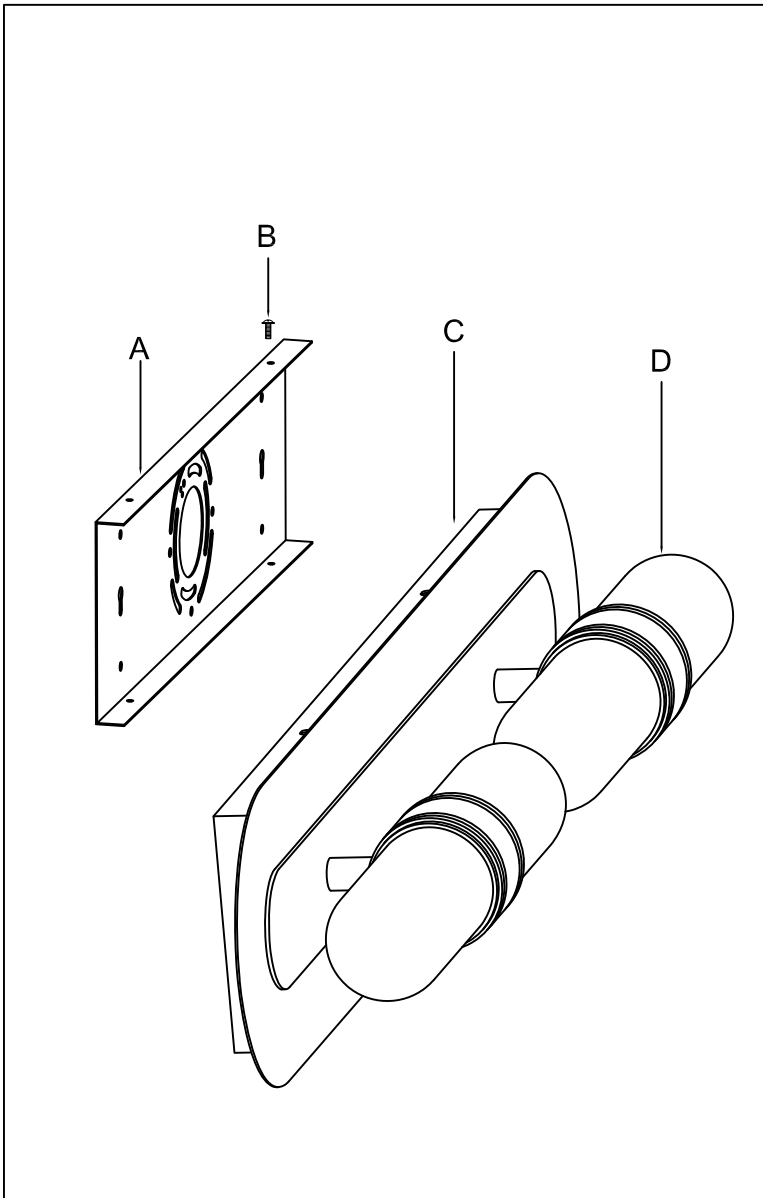
If lit for extended periods the glass may become very warm.  
Allow 2-3 minutes to allow the fixture to cool before replacing bulbs.

Bulb included: 4 x 40W E12

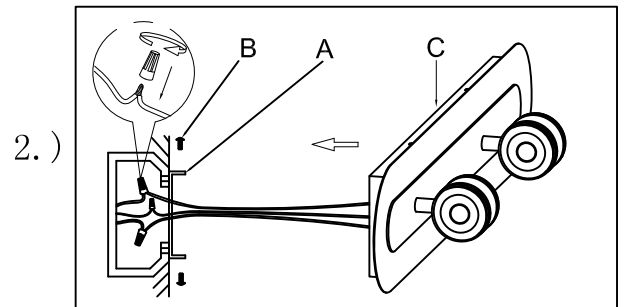
**IMPORTANT:** Turn OFF the power at the main fuse or circuit breaker box before starting installation



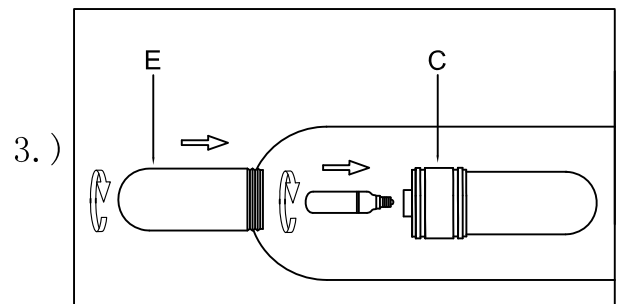
Locate all hardware & components before discarding packaging



1.) Step.1: Remove mounting hardware (A) from Fixture (C) and install to electrical box.



2.) Step.2: Wire fixture to wires in outlet box. Black wire is positive, white is neutral, Copper wire is for Ground. Attach Fixture (C) to mounting hardware (A) using screws (B) to secure.



3.) Step.3 : Install 40 Watt candelabra base bulb. Then, Thread glass (D) into fixture (C).

#### Cleaning & Care:

Clean with soft cloth and a mild detergent.  
Do not use abrasive cleaner.