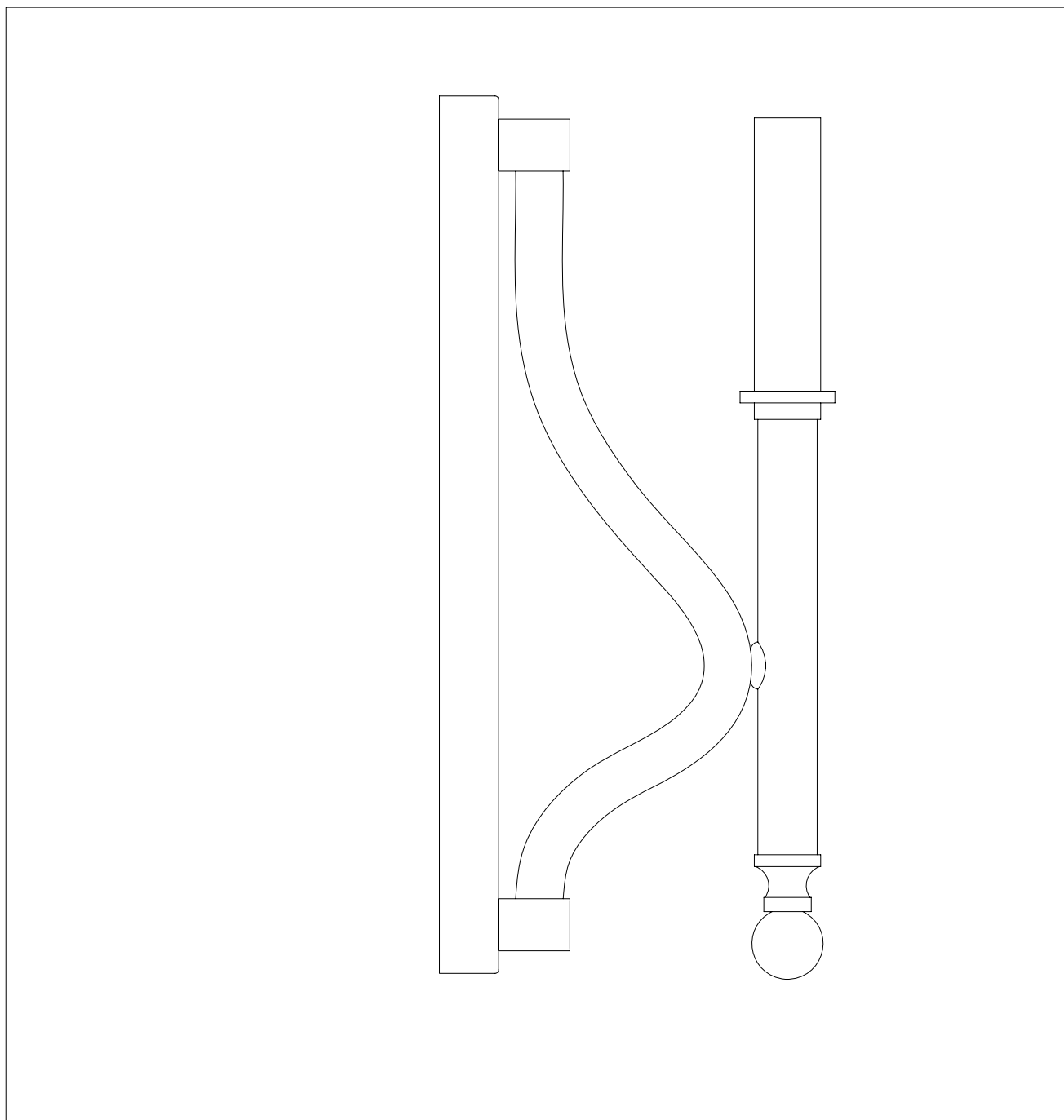





PRODUCT NAME: Hendrick 1 Light Wall Sconce
ITEM NUMBER: 22332CLIO


Please consult your electrician for hanging fixture and wiring.



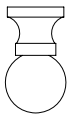
Bulb(not included) E12 1 x MAX 40W

IMPORTANT: Turn off the power at the main fuse of circuit breaker box before starting installation

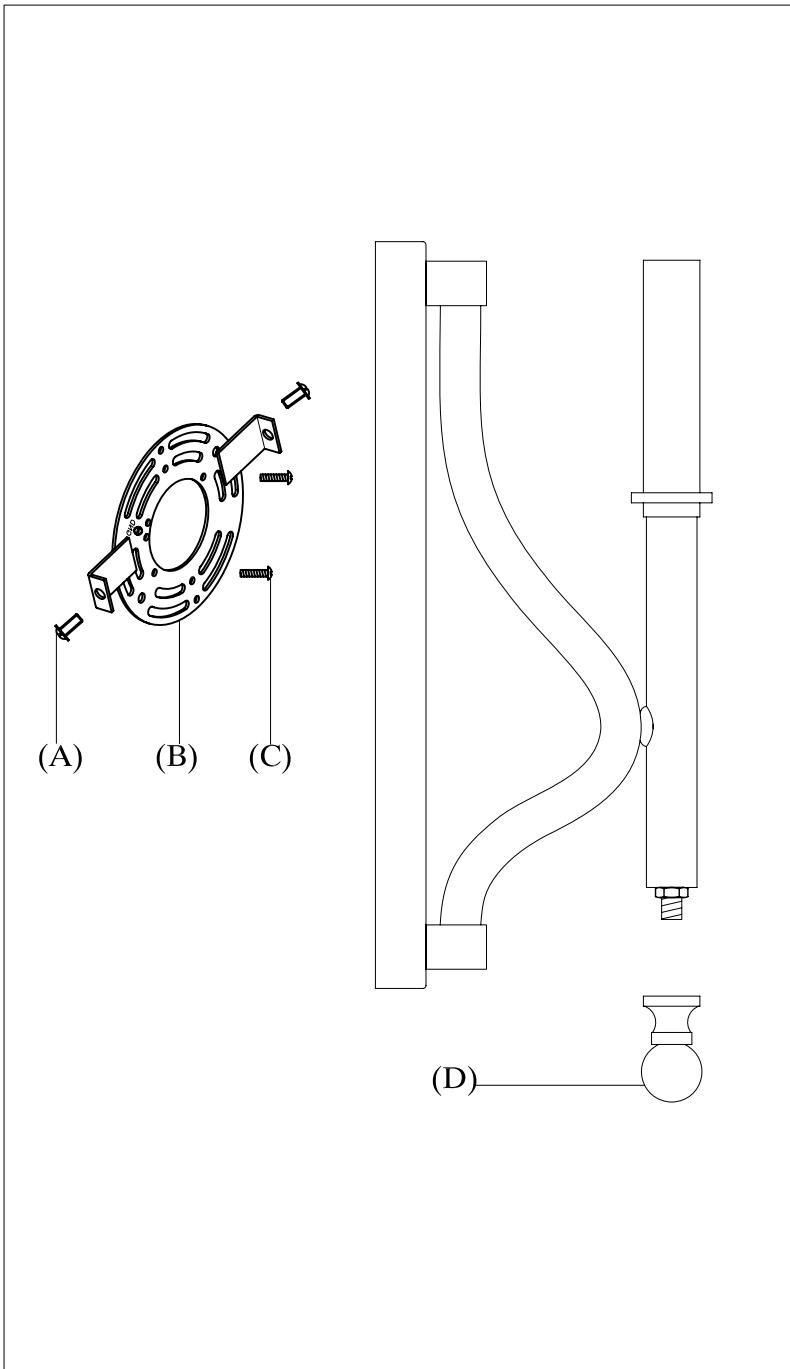
(A) 
Screws(2pcs)

(B) 
Mounting Bracket

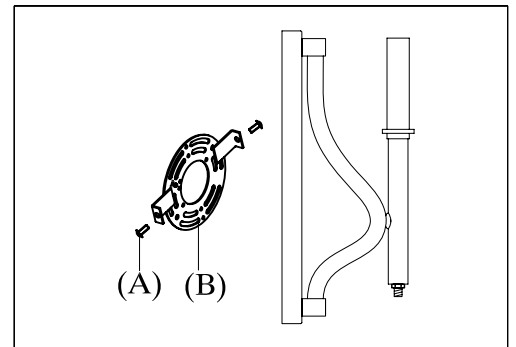
(C) 
Mounting Screws(2pcs)

(D) 
Glass Finial

Locate all hardware & components before discarding packaging

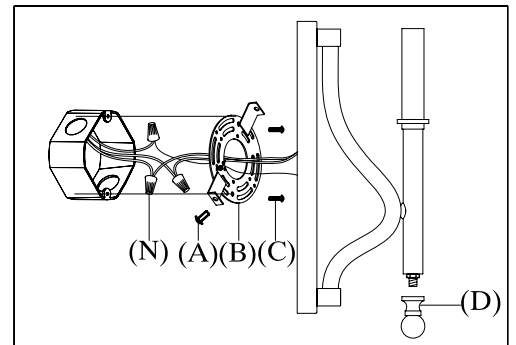


1.)



Step 1: Remove mounting bracket(B) from fixture and install to electrical box using mounting screws(C).

2.)



Step 2: Wire fixture to wires in outlet box. Copper wire is for Ground. Attach wall sconce to mounting bracket and secure using screws (A) provided. Finally attach glass finial (D).

Cleaning & Care:

Clean with soft cloth and a mild detergent.
Do not use abrasive cleaner.