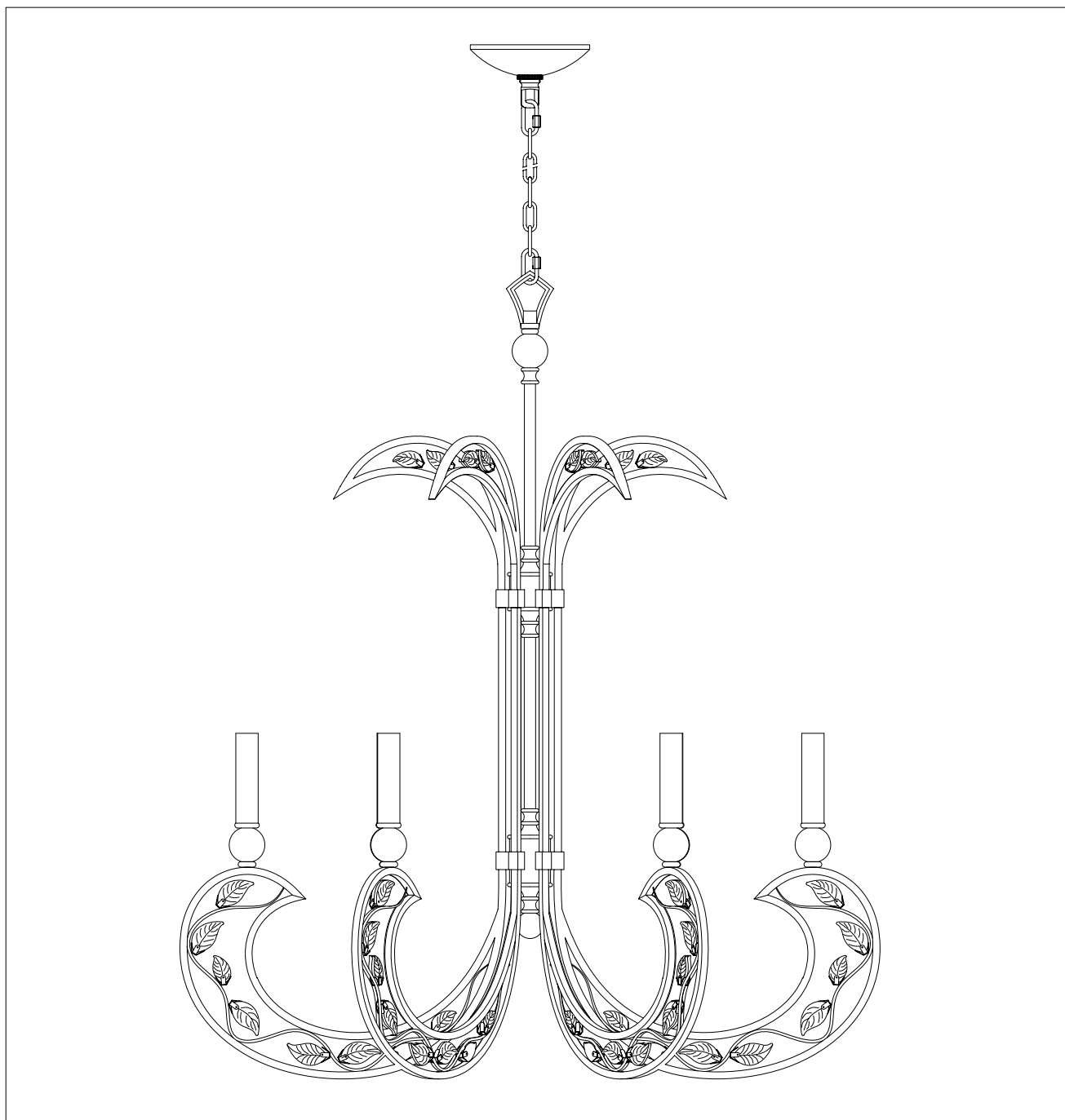


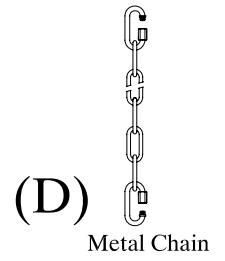
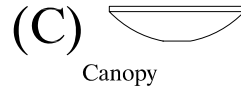
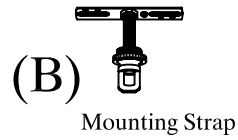
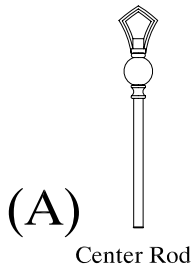
PRODUCT NAME: Autumn 6 Light Chandelier
ITEM NUMBER: 23105CLRT

Please consult your electrician for hanging fixture and wiring.

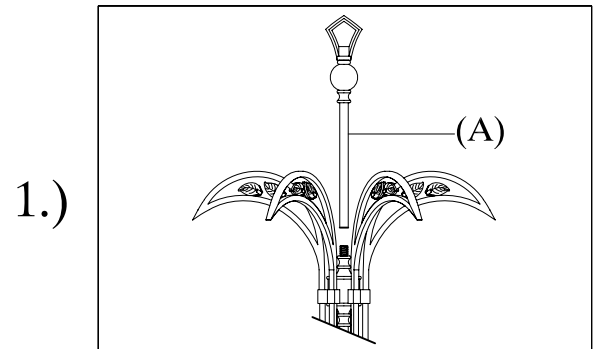
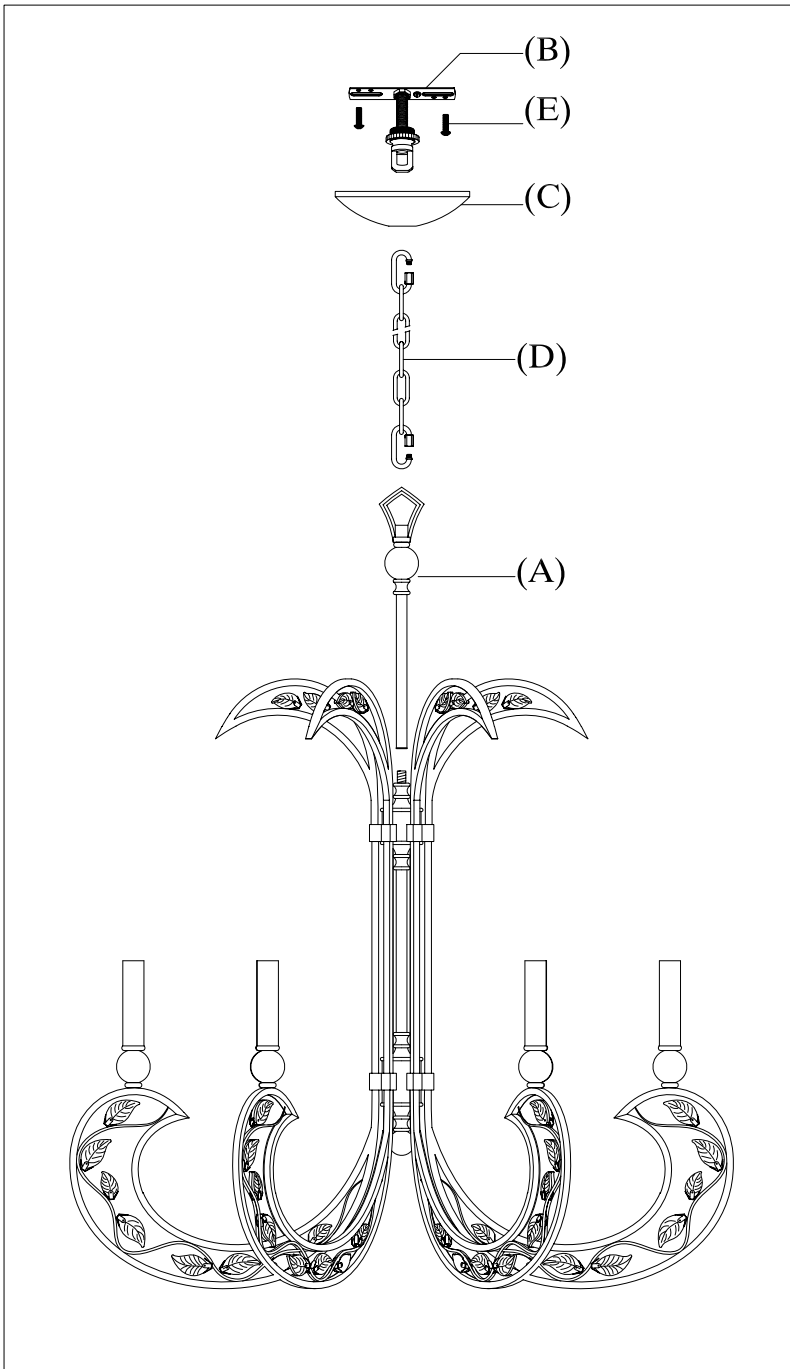


Bulb(not included) E12 6 x MAX 40W

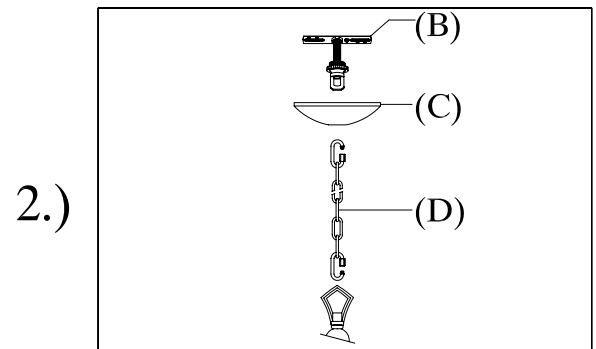
IMPORTANT: Turn off the power at the main fuse of circuit breaker box before starting installation



Locate all hardware & components before discarding packaging



Step 1: Attach the center rod (A) to the fixture.

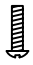


Step 2: Weave the fixture wire through every 3rd link in the chain and canopy. Connect the chain to the top loop on fixture and screw collar loop on canopy by using loop lock.

Cleaning & Care:

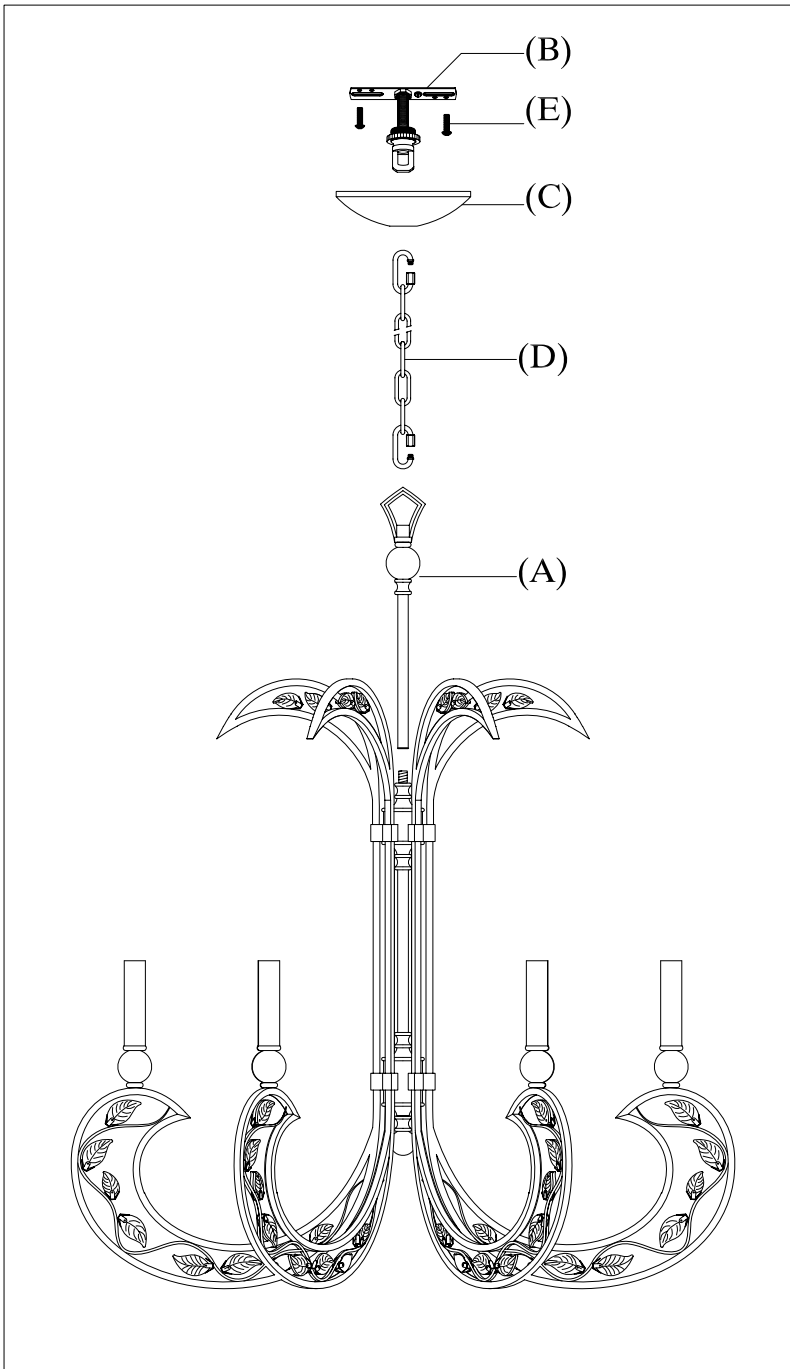
Clean with soft cloth and a mild detergent.
Do not use abrasive cleaner.

IMPORTANT: Turn off the power at the main fuse of circuit breaker box before starting installation

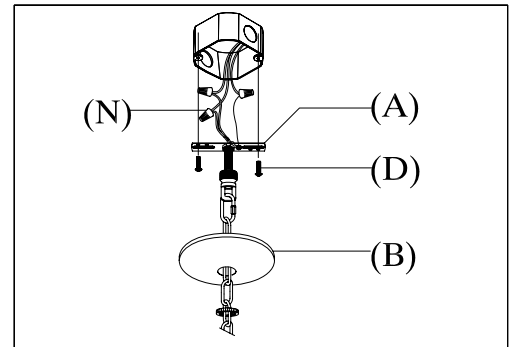
(E) 

Mounting Screws(2pcs)

Locate all hardware & components before discarding packaging



3.)



Step 3: Attach the mounting strap (A) to the outlet box by using mounting screws (D). Make wire connections using wire nuts(N), and attach the fixture grounding wire to the mounting strap with the green grounding screws. Attach the canopy and secure it with the screw collar.

Cleaning & Care:

Clean with soft cloth and a mild detergent.

Do not use abrasive cleaner.

MADE IN CHINA

Page 3 of (3)