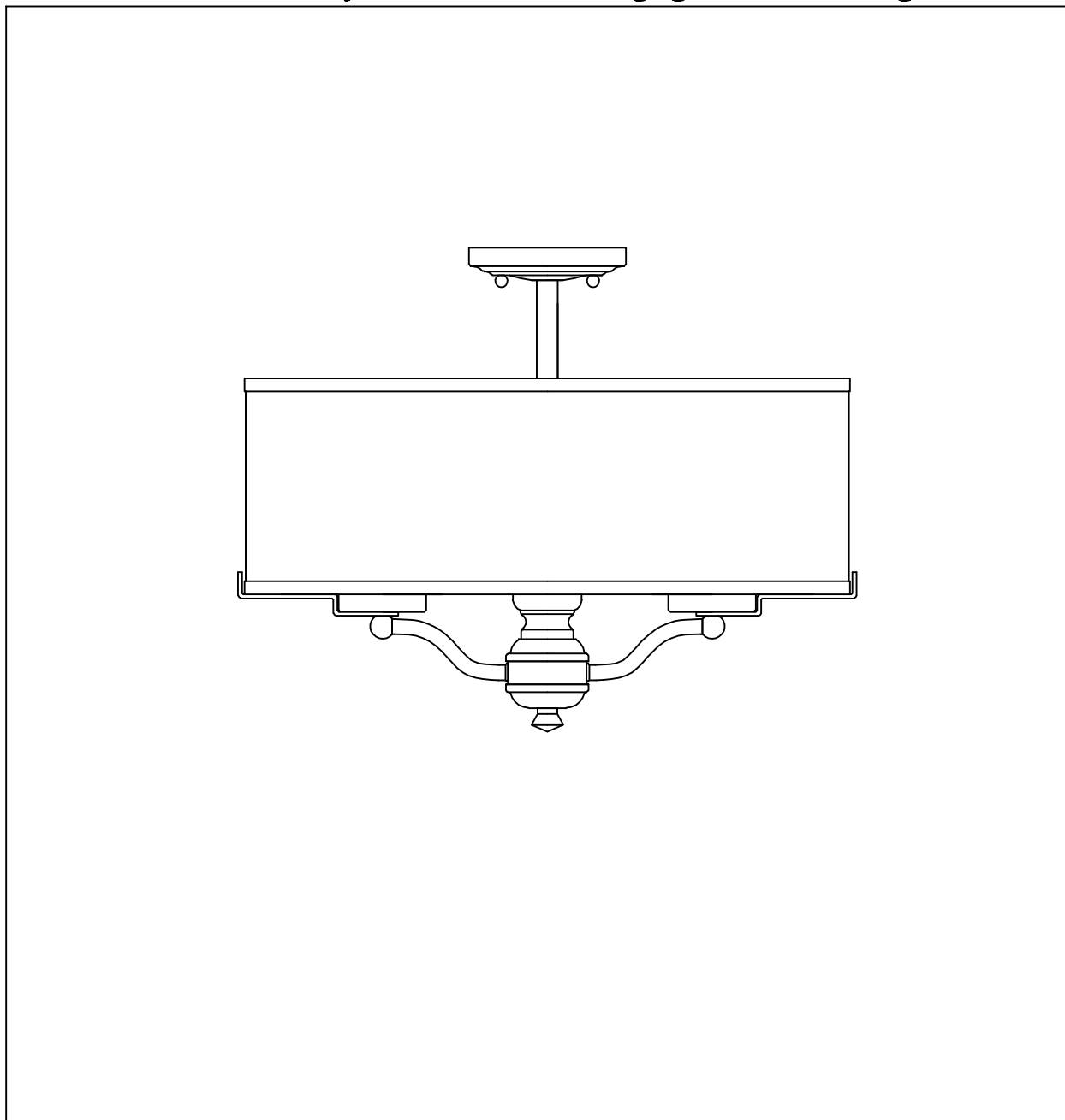




PRODUCT NAME: Lucid 4lt seim-flushmout
ITEM NUMBER: 24550

Please consult your electrician for hanging fixture and wiring.

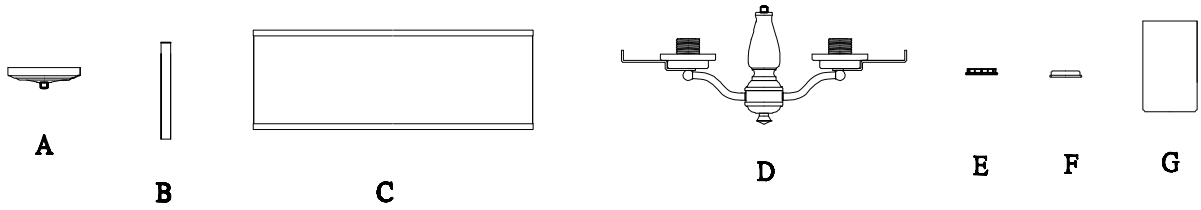


Bulb(not included): 4*60 Watt Candelabra Base Bulbs

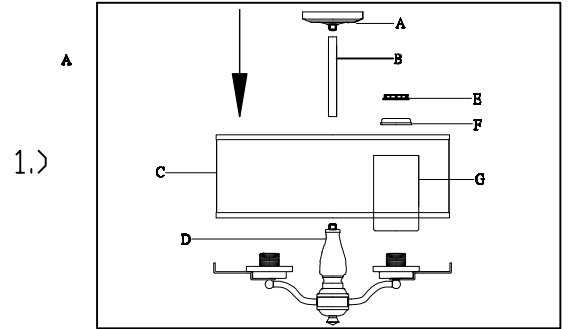
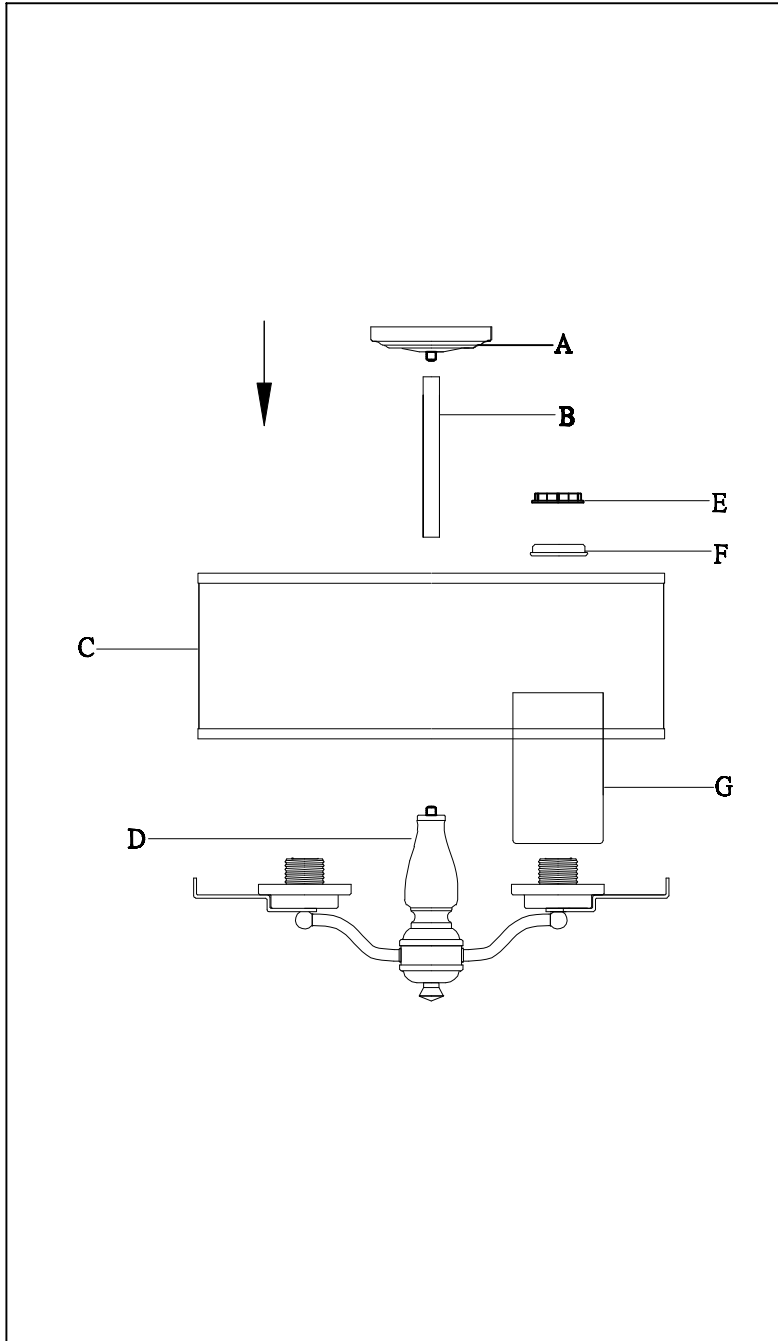
**PRODUCTS ARE NOT INENDED
FOR COMMERCIAL USE.**

**MADE IN CHINA
Page 1 of (2)**

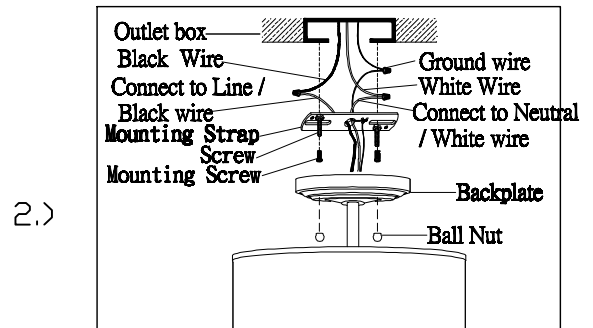
IMPORTANT: Turn off the power at the main fuse or circuit breaker box before starting installation



Locate all hardware & components before discarding packaging



Step.1: Attach glass (G) to fixture using socket ring (E) and spacer (F) to secure. Add medium base bulbs. Attach shade to frame using screws. Run wire through stem (B) and canopy (A), then attach to fixture (D).



Step.2: Remove mounting strap from fixture and install to electrical box. Wire fixture to wires in outlet box. Copper wire is for Ground. Attach fixture to mounting bracket using ball nuts to secure.

Cleaning & Care:

Clean with soft cloth and a mild detergent.
Do not use abrasive cleaner.