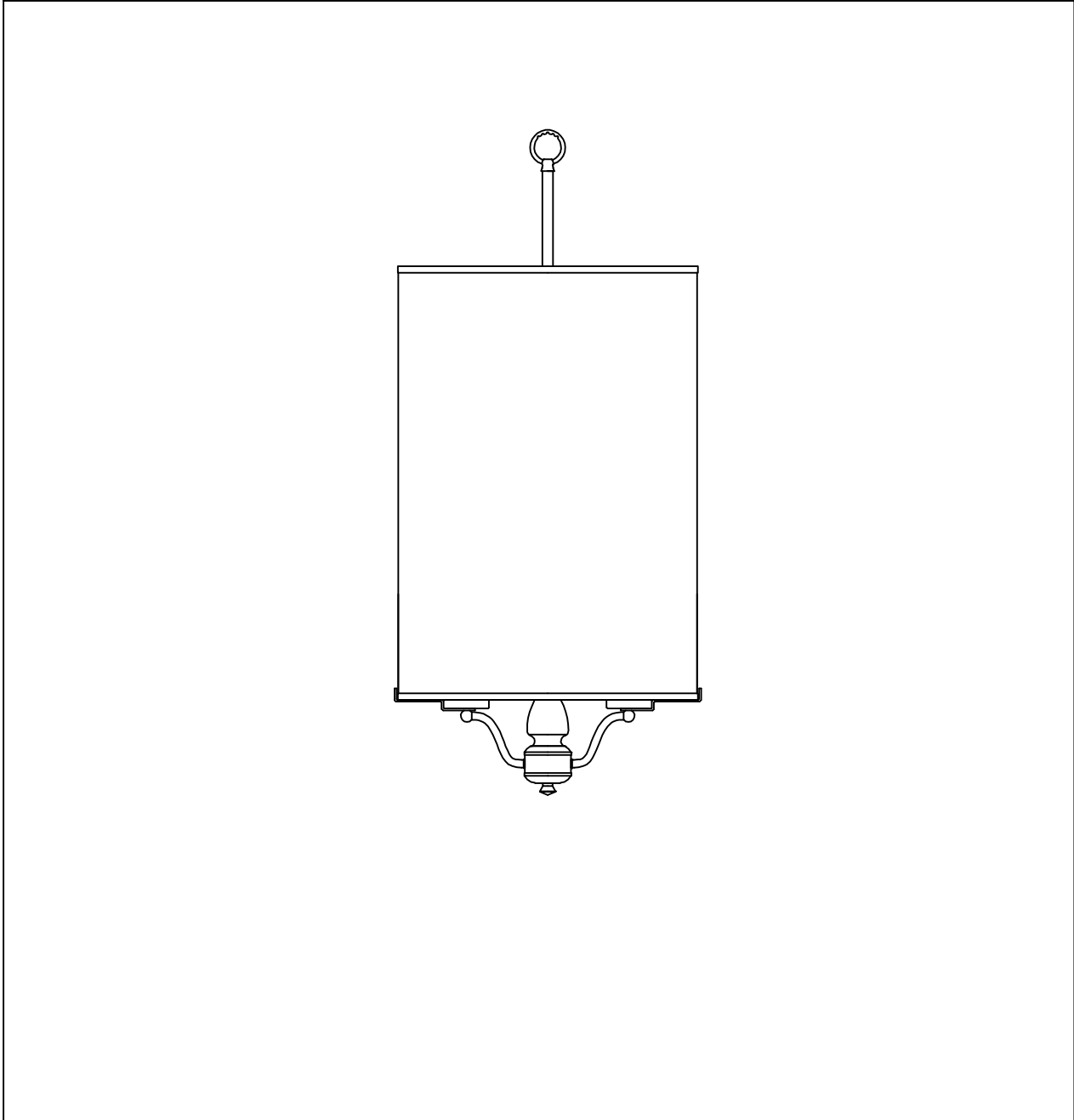




PRODUCT NAME: Lucid 3+3lt pendant
ITEM NUMBER: 24557

Please consult your electrician for hanging fixture and wiring.

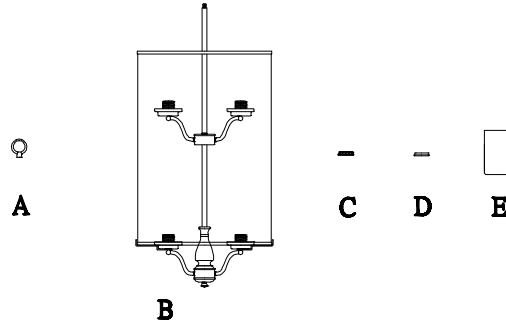


Bulb(not included): 6*60 Watt Candelabra Base Bulbs

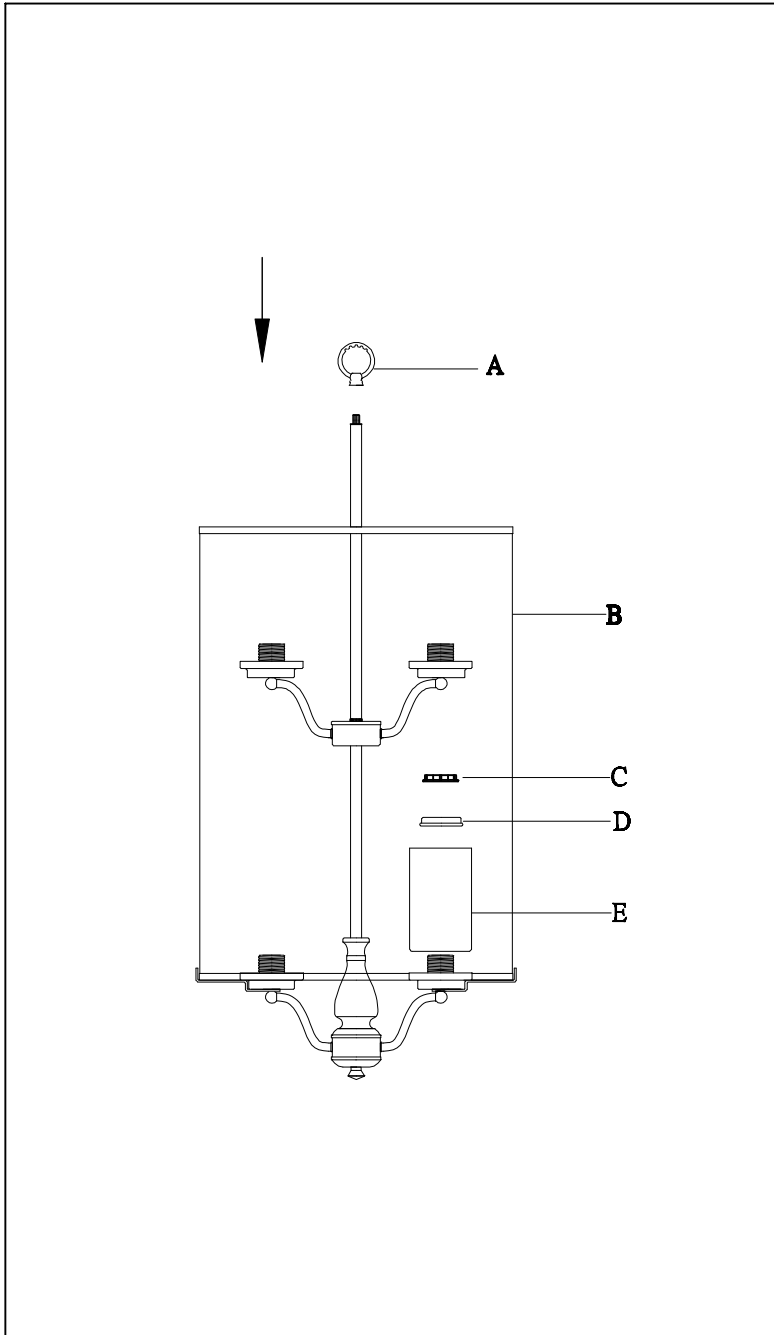
**PRODUCTS ARE NOT INENDED
FOR COMMERCIAL USE.**

**MADE IN CHINA
Page 1 of (2)**

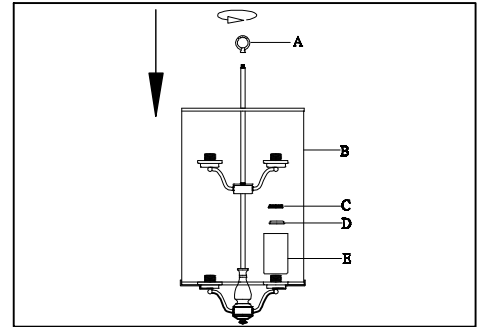
IMPORTANT: Turn off the power at the main fuse or circuit breaker box before starting installation



Locate all hardware & components before discarding packaging

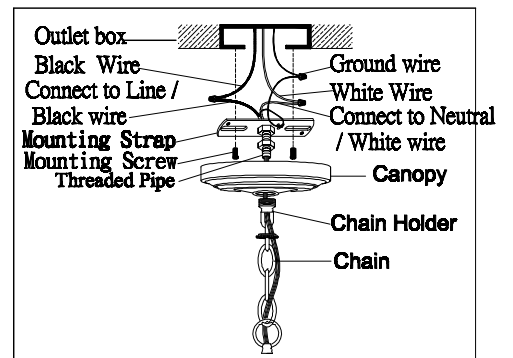


1.)



Step.1: Attach glass (E) to fixture using socket ring (C) and spacer (D) to secure. Add medium base bulbs. Attach shade (B) to frame using screws. Run wire through stem, then carefully attach Top Loop (A).

2.)



Step.2: Remove mounting strap from fixture and install to electrical box. Attach appropriate amount of chain to loop to achieve desired mounting height. Thread wire through every 3rd loop of chain. Remove ring from chain holder and slide down chain. Place canopy onto chain and let slide to top of fixture. Wire fixture to wires in outlet box. Copper wire is for Ground. Install nipple and cross bar into top of chain holder. Bring canopy up chain and tighten with screw ring on chain holder to make flush with the ceiling.

Cleaning & Care:

Clean with soft cloth and a mild detergent.
Do not use abrasive cleaner.