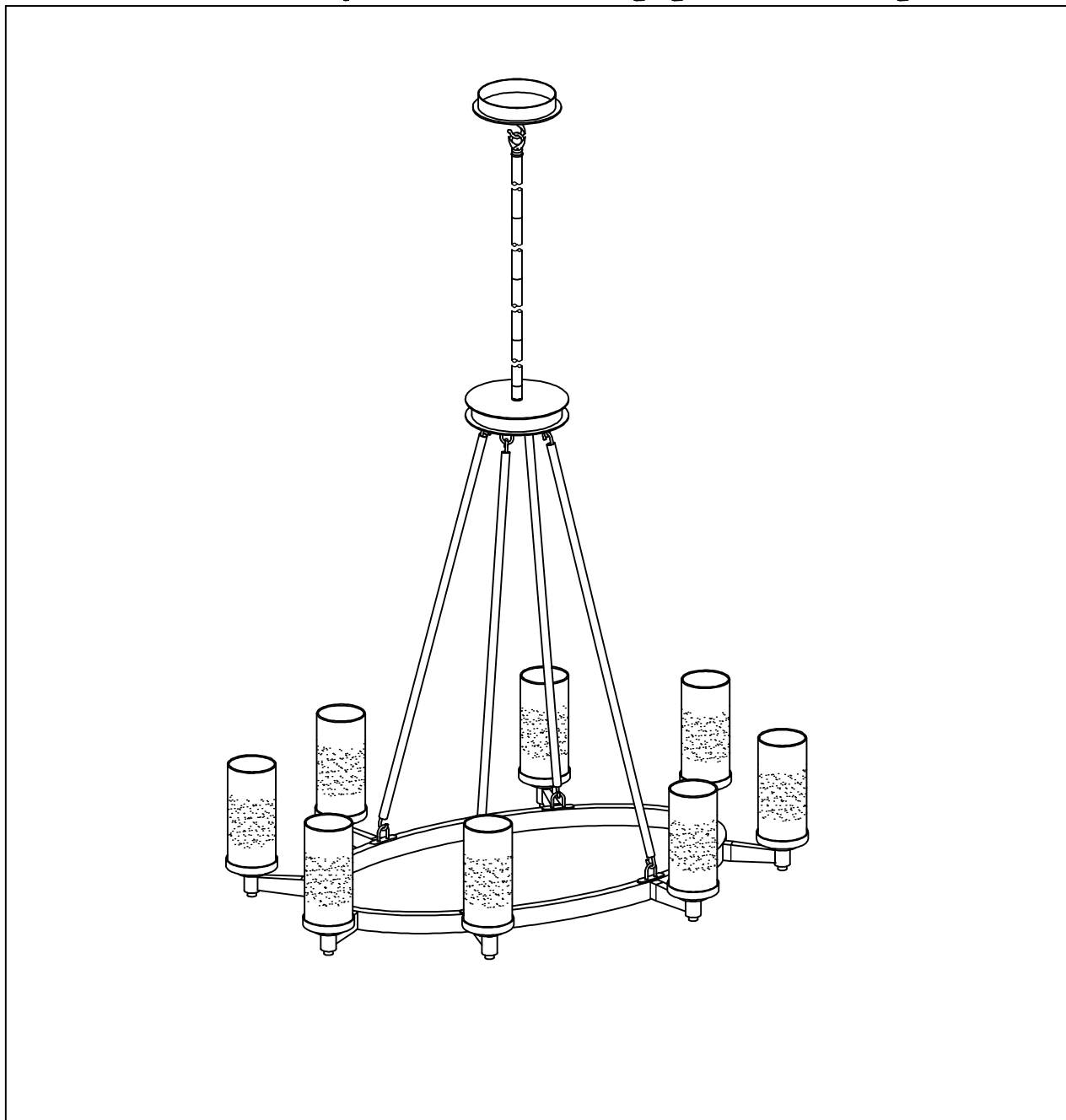




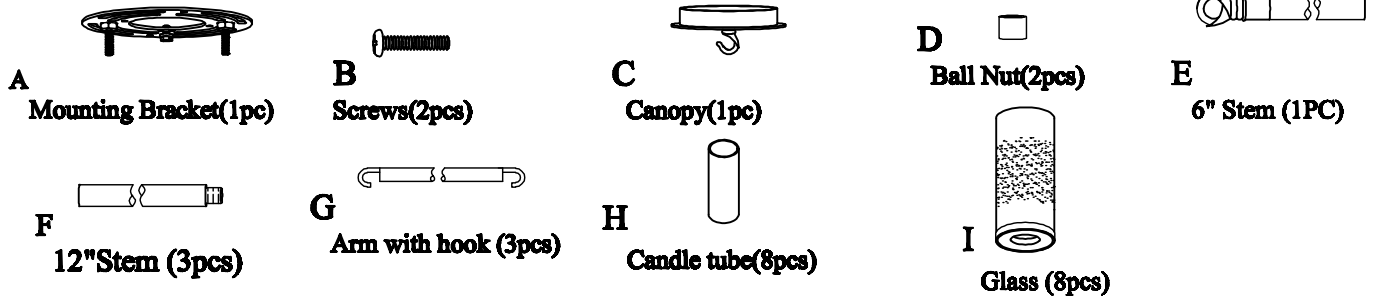
PRODUCT NAME: Crescendo 8lt oval chandelier
ITEM NUMBER: 26328

Please consult your electrician for hanging fixture and wiring.

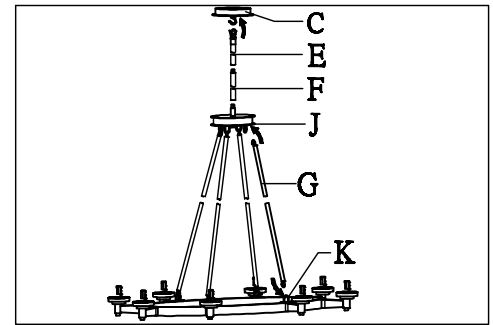
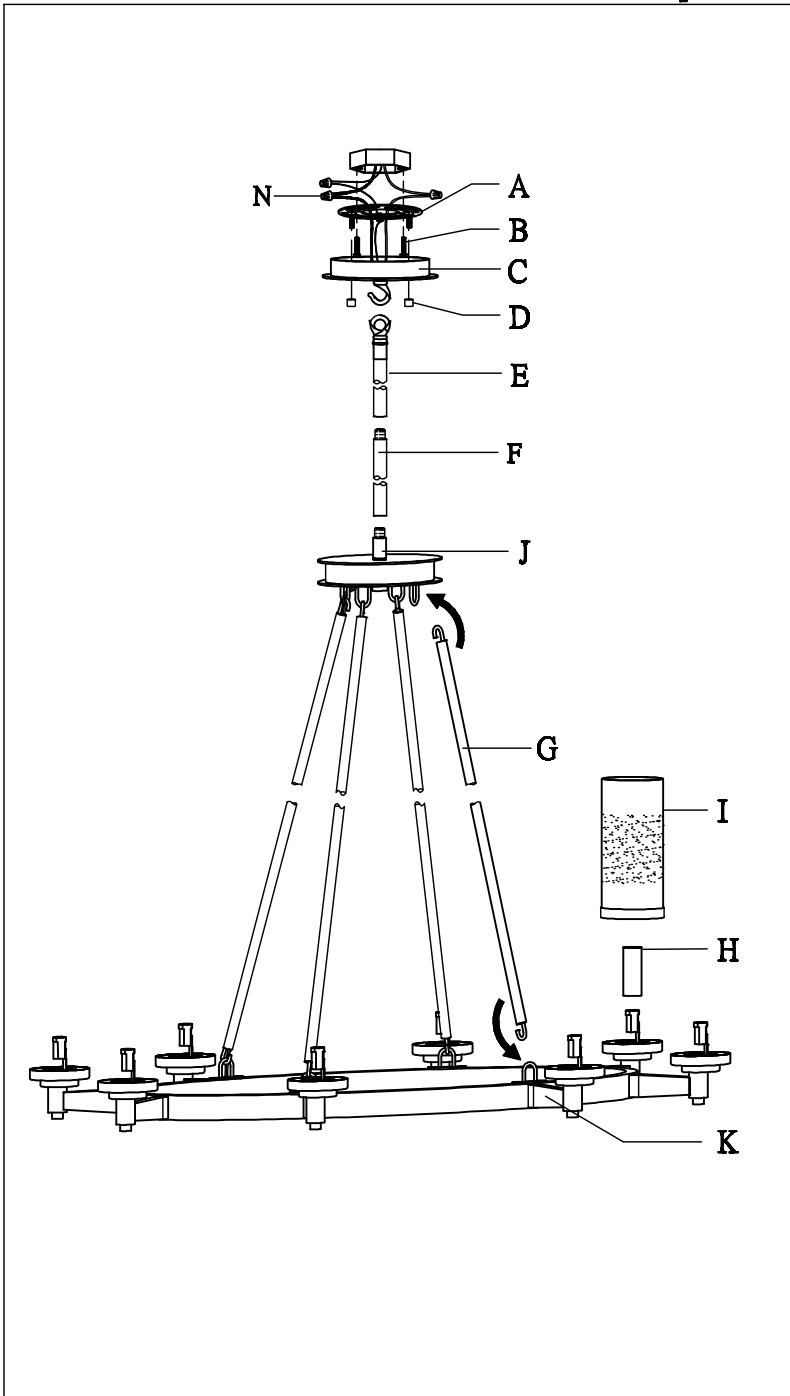


Bulb(not included): 8-60 Watt CA Incandescent Bulbs

IMPORTANT: Turn off the power at the main fuse or circuit breaker box before starting installation

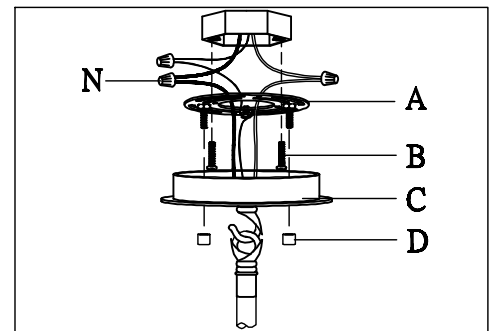


Locate all hardware & components before discarding packaging



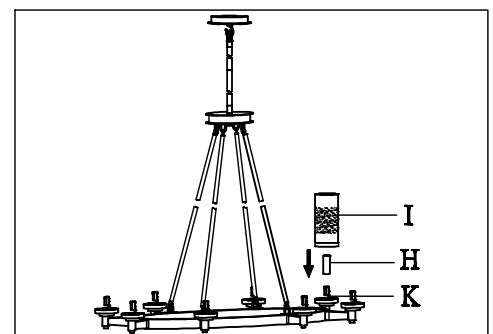
1.)

Step1: Carefully remove packaging from fixture. Run wire through stems (E) and combine stem lengths to meet desired mounting height. Then attach canopy (C) to fixture.



2.)

Step2: Remove mounting bracket (A) from canopy. Install fixture to bracket and tighten ball nuts (D) on the canopy to secure.



3.)

Step3: Attached the Candle tube (H) and Glass (I) onto the Cup (K)

Cleaning & Care:

Clean with soft cloth and a mild detergent. Do not use abrasive cleaner.