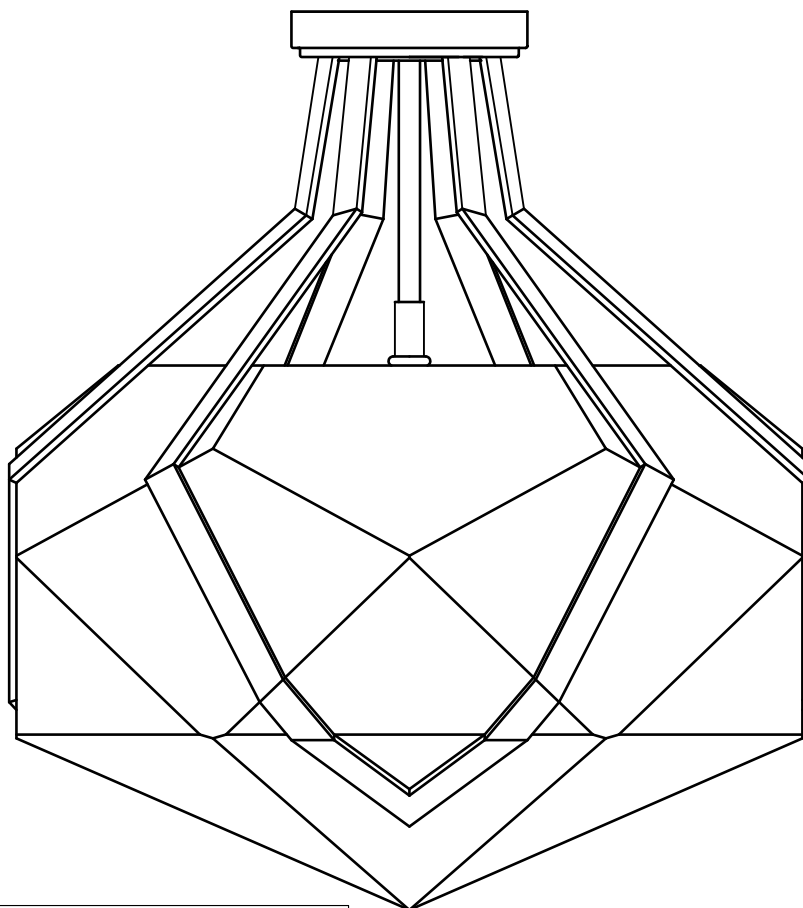




PRODUCT NAME: BOULDER

ITEM NUMBER: 30140BZGTGLD

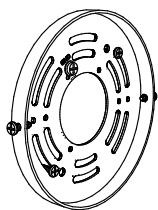
Please consult your electrician for hanging fixture and wiring.



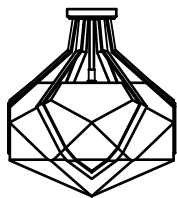
This fixture is designed to dim with an Electronic Low Voltage dimmer. Dimming levels will vary by dimmer. Below is a list of recommended dimmers:
Lutron DVELV-330P
Lutron MAELV-600M
Lutron SAELV-153P
Leviton IPL06-10Z
Leviton 6674-POW
Legrand Tru-Universal ADTP703TUW4
Due to inrush current wattage should not exceed 150 watts of product for a 600 watt dimmer.

LED 1X32W (Bulb included)

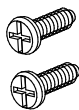
IMPORTANT: Turn off the power at the main fuse or circuit breaker box before starting installation.



Mounting Strap (A)

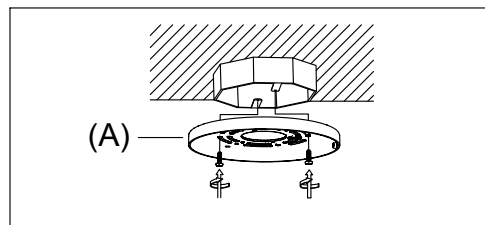
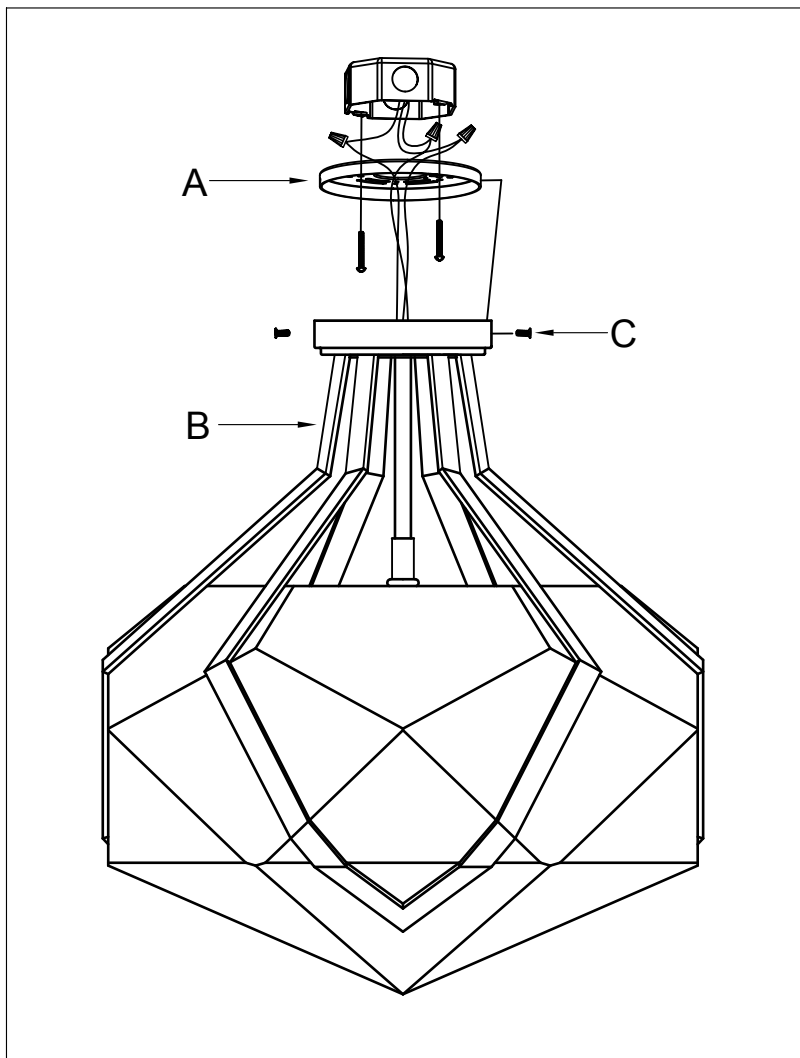


Body (B)



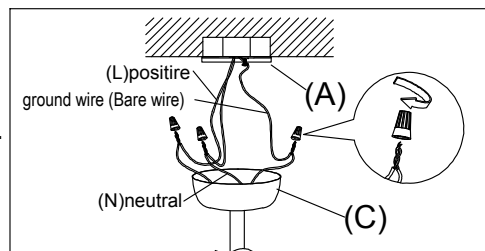
Screw (C)

Locate all hardware & components before discarding packaging



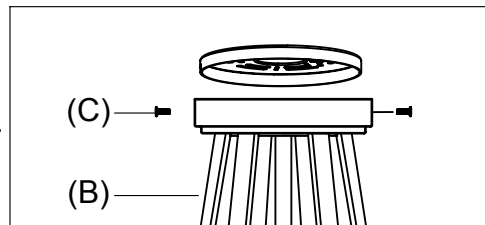
1.

Step.1: Remove mounting Strap (A) from fixture and install to electrical box.



2.

Step.2: Wire fixture to wires in outlet box. Bare wire is for Ground.



3.

Step.3: Install body (B) to Mounting Strap (A) and tighten Screw (C) on the ceiling plate to secure.

Cleaning & Care:

Clean with soft cloth and a mild detergent.
Do not use abrasive cleaner.